



**CZECH UP YOUR BEER**  
COOLING AND DISPENSING SYSTEMS

# LINDR VK 15, 30 MINI COMPRESSOR

*Structurally unique and reliable compressor with surprising amount of power. Very small size and low weight enables easy handling and use. Smooth pressure regulation and simple connection is ensured via a JG fitting. Molecule filter on the input guarantees entry of clean air.*



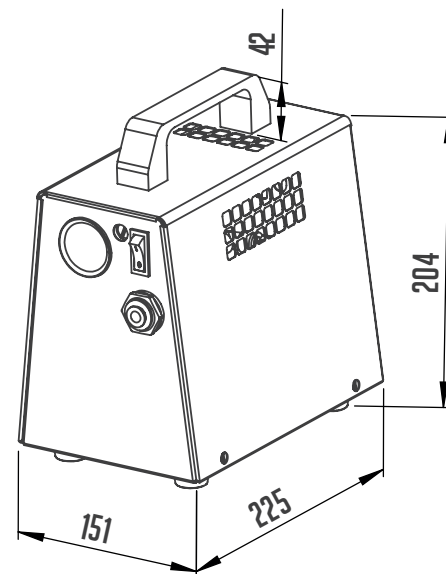
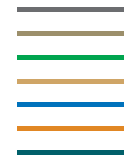
230

✓ **OUTPUT** – **VK LINDR 15** mini compressor is a suitable source of pressure for coolers up to an output of 40 l/h, while **VK LINDR 30** is suitable for coolers up to an output of 140 l/h.

✓ **DESIGN** – the VK mini compressor is made of stainless steel.

✓ **COMFORTABLY PORTABLE** – handle located on the top of the machine allows easy handling.

# LINDR VK 15, 30 MINI COMPRESSOR



PRODUCT MODEL	VK 15	VK 30
PERFORMANCE ( L/HOUR)	40	140
REGULATION OF THE AIR COMPRESSOR (BAR)	REGULATION 1,0-3,4	REGULATION 1,0-4,2
VOLTAGE	220-240V 50HZ-1	220-240V 50HZ-1
POWER (W)	92	115
AMPERAGE (A)	0,40	0,50
NET WEIGHT (KG)	4,5	4,5

● ST. STEEL