

DO YOU REALLY NEED A LOT OF POWER HIDDEN IN A COMPACT PORTABLE COOLER?

KONTAKT 70/K NEW 1X TAP



CZECH UP YOUR BEER
COOLING AND DISPENSING SYSTEMS

COMPACT & POWERFUL

Our most popular coolers in foreign markets. This is how the KONTAKT model line, which offers professional cooling solutions in compact dimensions, can be characterized.





KONTAKT 70/K NEW 1X TAP GREEN LINE

Do you really need a lot of power hidden in a compact portable cooler? Then reach for the KONTAKT 70/K NEW GREEN LINE 1x tap dispensing machine and you can't make a mistake. Serving up to 180 perfectly chilled beers per hour will not disappoint you even in larger restaurants, bars, smaller festivals or outdoor pop-up mobile bars. The version with two taps allows the cooler to be used for two independent beverages. The KONTAKT model line includes the most popular professional coolers with this performance. The designation NEW in the name means that this is an innovated version of the cooler, which is certified according to the latest safety and hygiene standards (Czech and European).



- << KONTAKT 70/K NEW GREEN LINE 1x TAP AIR COMPRESSOR – The models are equipped with a high quality built-in air compressor, which, thanks to its quiet operation, is also suitable for more intimate events without disturbing the surrounding atmosphere.
- < KONTAKT 70/K NEW GREEN LINE 1x TAP NUMBER OF TAPS – Coolers can be supplied with one or two taps.

| BENEFITS AND USEFUL FEATURES

INNOVATION - All our contact coolers are constantly evolving and meet all the latest safety standards and certifications (Czech and European).

PERFORMANCE – KONTAKT 70/K 1x tap NEW GREEN LINE dispensing machine with its increased continuous output of 70-90 l / hour allows the serving of about 140-180 perfectly chilled beverages in one hour.

NUMBER OF TAPS - This model can be also supplied with two taps.

GREEN LINE – LINDR GREEN LINE technology is environmentally friendly thanks to the use of eco-friendly refrigerant R-290. Thanks to this design, each product achieves 20 % higher energy efficiency and 20 % lower energy consumption. We have introduced an energy saving system in the production.

BEVERAGE VOLUME IN THE COOLING BLOCK - A characteristic feature of our coolers is the large volume of beverage in the cooling block. Models in the Kontakt 70 series have 1,2 l. The uniform inner diameter of the cooling coil (7 mm) from the dispense head to the tap guarantees cleanliness and optimal beverage flow.

AIR COMPRESSOR - The models are equipped with a high quality built-in air compressor, which, thanks to its quiet operation, is also suitable for more intimate events without disturbing the surrounding atmosphere.

AIR FILTER - Because the quality of the dispensed beverage comes first for us, all our dispensing machines come with a built-in air compressor with a molecular filter.

EQUIPMENT - Thermostat enabling continuous and precise regulation of the beverage temperature, tap(s), tap wrench, drip tray and speed fittings for easy connection.

UNIVERSAL USE - This dispensing machine can also be used in combination with a dispense tower.

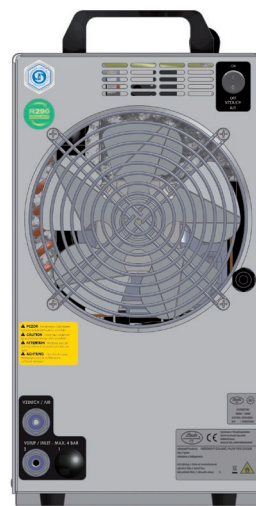
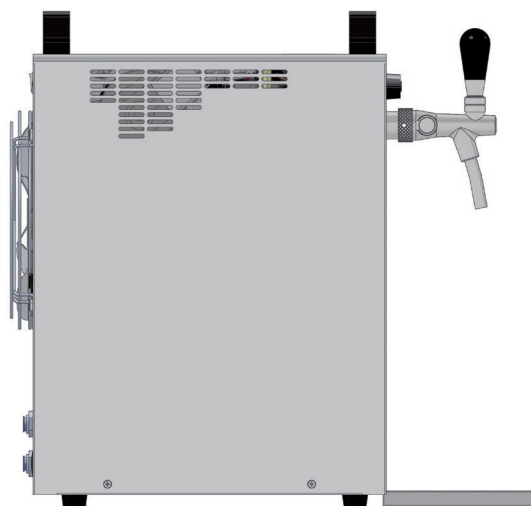
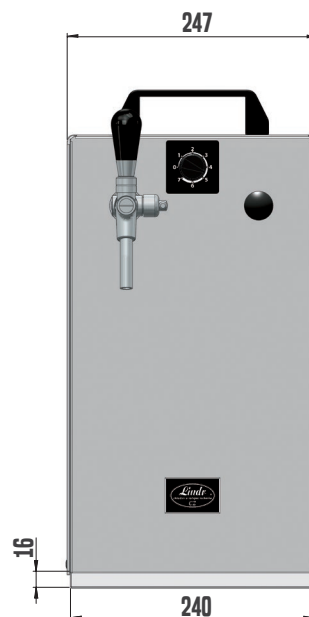
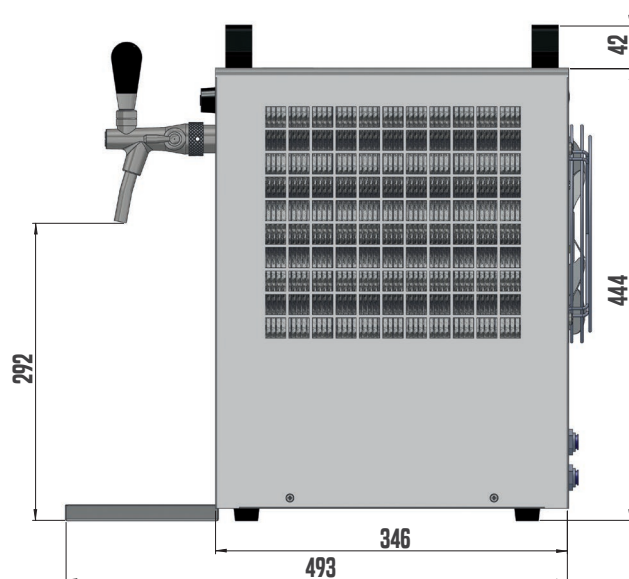
STAINLESS STEEL STRUCTURE - The complete structure and cooling coil are made of stainless steel. The materials used meet the highest requirements of hygienic standards and guarantee a long life.

OVERALL COMPACTNESS - KONTAKT series coolers have the best ratio of performance, dimensions and price on the market.

The overall robustness of this model leaves no one in doubt that this cooler can deal with the company of several dozen thirsty people.



KONTAKT 70/K NEW GREEN LINE 1X TAP



PRODUCT MODEL KONTAKT 70/K NEW GL 1X TAP

COOLING POWER OF THE COMPRESSOR (HP)	1/3
COOLING POWER OF THE COMPRESSOR (W)	860
MAXIMUM COOLING CAPACITY TO 0 °C / TK 45 °C (L/HOUR)	90
CONTINUOUS COOLING PERFORMANCE (L/HOUR)	70
THERMAL GRADIENT ΔT (°C)	10
AIR COMPRESSOR (BAR)	YES
AIR COMPRESSOR PRESSURE (BAR)	AUTOMATIC 2,8-3,2
NUMBER OF TAPS (PCS)	1
NUMBER OF COOLED BEVERAGES (PCS)	1
LENGTH OF COOLING COILS (M)	1X28,0
DIAMETER OF COOLING COIL (MM)	7X8
POWER (W)	598
AMPERAGE (A)	2,60
NET WEIGHT (KG)	30,0
REFRIGERANT TYPE	R290
VOLTAGE (V)	220-240V 50HZ-1
BEVERAGE CONNECTION (FITTINGS)	9,5MM (3/8")
AIR CONNECTION (FITTINGS)	8MM (5/16")

CUSTOMIZED OPTIONS

CHOICE OF TAP	YES
BEVERAGE CONNECTION - STAINLESS STEEL SCREWING	YES
AIR CONNECTION - STAINLESS STEEL SCREWING	YES
POWER CABLE PLUG	YES

DISPENSING EQUIPMENT - CONTACT