



INSTRUCTION MANUAL

CZECH UP YOUR BEER
COOLING AND DISPENSING SYSTEMS

**LINDR FLOW-TYPE
LUXURY COOLER**

ENGLISH

Number 034-2021 REV02

Valid 2022-01-01





CZECH UP YOUR BEER
COOLING AND DISPENSING SYSTEMS

IMPORTANT

This manual contains instructions for installation, use and operation of the appliance. This manual is an integral part of the device. It must be stored in the vicinity of the device for the entirety of its service life and must be made available to the user any time the device is installed, moved, used or maintained. Read this manual carefully before installing and using the device. It contains important information necessary to ensure that all operations are done properly and safely.

Due to the continuous improvement of the products, the pictures are located in the manual illustrative only and may differ from the purchased goods.

This manual is a translation of the original Czech manual.

LINDR.CZ s.r.o.

Sadová 132
503 15 Nechanice, Czech Republic

mob.: + 420 775 715 494

tel. : +420 495 447 239

e-mail: info@lindr.cz

web: www.lindr.cz, www.lindr.eu

2

SYMBOLS AND MARKINGS USED IN THE MANUAL:



WARNING:

Not following instructions may cause injury or damage the device.



DANGER:

Risk of injury by electrical current.



NOTE:

This symbol indicates information and recommendations for the user.



WARNING:

The cooling system contains flammable coolant R290 (propane)!





Contents:

| | | | |
|-----|--|-------|----|
| 1. | Introduction | | 4 |
| 2. | Description of the cooler | | 4 |
| 3. | Machine plate | | 4 |
| 4. | General instructions, measures and safety instructions | | 4 |
| 5. | Installation and placement | | 5 |
| 6. | Electrical connection | | 6 |
| 7. | Testing | | 6 |
| 8. | Warranty | | 6 |
| 9. | Package contents | | 6 |
| 10. | Tap installation | | 7 |
| 11. | Keg coupler assembly | | 7 |
| 12. | Beverage supply connection and pressurisation | | 9 |
| 13. | Beverage connections | | 11 |
| 14. | Positioning of the thermostat | | 12 |
| 15. | How to work with speed fittings | | 13 |
| 16. | Temperature and adjustment | | 13 |
| 17. | Keg tapping and untapping | | 14 |
| 18. | Putting into operation | | 16 |
| 19. | Table of malfunctions | | 17 |
| 20. | Spare parts | | 18 |
| 21. | Sanitation by water | | 18 |
| 22. | Maintenance | | 19 |
| 23. | Inspection before every use | | 19 |
| 24. | Periodic checks | | 19 |
| 25. | Environmental protection | | 19 |

1. INTRODUCTION:

Thank you for purchasing this LINDR product.

2. DESCRIPTION OF THE COOLER:

This beverage dispensing system with built-in compressor is designed for cooling, dispensing and serving well-cooled beer and beverages.

The modern Lindr compressor cooling unit uses input energy and transforms it directly into cooling, ensuring proper beer cooling at minimum energy drain.

This manual is intended for models:

SOUDEK 20 Green Line new

PYGMY 25/K Exclusive Green Line

1x kohout new

PYGMY 25/K Exclusive Green Line

2x kohout new

SOUDEK 50 Green Line new

3. MACHINE PLATE:



4. GENERAL INSTRUCTIONS, MEASURES AND SAFETY INSTRUCTIONS:

When using the device, follow basic safety instructions stated by the manufacturer. The cooling device is designed for flow-through cooling of beverages. Any other use is considered impermissible and therefore dangerous. The supplier is not liable for damage caused by incorrect use.

DO NOT USE THE DEVICE FOR PURPOSES OTHER THAN THOSE STATED BY THE MANUFACTURER!

The devices meet safety protection IP21.

General safety principles. Observe the following safety instructions.

The supplier is not liable for damage caused by activities carried out on this device without observing the following instructions!

⚠ WARNING: Children aged 15 or more and persons with reduced physical, sensory or mental capabilities or insufficient experience and knowledge may only use the device when supervised or instructed in safe use of the appliance and familiarised with potential dangers.

⚠ WARNING: Children must not be allowed to play with the appliance. Store all packaging material out of reach of children (comes with a plastic bag – suffocation hazard).

⚠ WARNING: Cleaning and maintenance of the appliance on the part of the user must not be done by unsupervised children.

⚠ WARNING: Before connecting to main electrical supply, check that the voltage and frequency in the mains corresponds to the data stated on the device.

⚠ WARNING: Always make sure that the socket you intend to plug the cooler into meets the specifications on the machine plate (voltage, frequency, input power).

⚠ WARNING: Before performing operations on the device such as cleaning or maintenance, ALWAYS disconnect the device from power supply: set the thermostat to „O” position and unplug the appliance from the socket.

⚠ WARNING: Never place tools or other object into the fan.

⚠ WARNING: Never touch electrical components with wet or damp hands.

⚠ WARNING: To ensure the cooling unit works properly and at full capacity, make sure air supply to the unit is not obstructed.

⚠ WARNING: Water temperature during sanitation must not be higher than 25 °C!

⚠ WARNING: Always make sure the power socket you intend to plug the cooler into is accessible, so that the appliance can be immediately unplugged in case of emergency.

⚠ WARNING: When unplugging the device from the socket, grab the plug and pull it out. Do not under any circumstances pull at the cable; risk of damage.

⚠ WARNING: To turn the device off completely, unplug the appliance from the power socket.

⚠ WARNING: In the event the electrical wiring of the product becomes damaged, summon a trained service technician. Do not under any circumstances repair the device yourself.

⚠ WARNING: The cooling system contains flammable coolant R290 (propane)!



⚠ WARNING: Emergency maintenance and repair of the cooling system must be done by trained, authorised technicians familiar with cooling and electrical systems. The technicians should have special training and qualification for handling flammable substances in order to perform service on coolers containing R290. Follow basic regulations and safety measures regarding service and repair!

⚠ WARNING: Do not use open flame or potential sources of sparks in the vicinity of a cooler using **R290** coolant!

⚠ WARNING: After unpacking, place the cooler so that heat created by the cooling unit can be vented sufficiently.

⚠ WARNING: Do not place objects that could prevent air circulation on top of the cooler.

5. INSTALLATION AND PLACEMENT:

Place the cooler onto a stable, level surface (maximum permitted inclination: 2 degrees). The appliance requires unobstructed air circulation.

- Ensure sufficient free space for air circulation and heat dissipation.
- Ensure sufficient supply of fresh air.
- The device must not be placed in an enclosed space.
- The device must not be placed in the vicinity of heat sources or exposed to direct sunlight.

Minimum obstacle distance from ventilation holes must be 200mm and from the condenser 500mm. Minimum distance for sections with no air vents is 70mm. Ideally, use the device in a cool and well-ventilated room. The device is designed for use at ambient temperature of at least 16 °C and at most 32°C.

⚠ WARNING: The device MUST NOT be used or stored at ambient temperature lower than 0 °C. The device is designed for use in a normal environment, always under a roof, protected from rain or sunlight. Climate class N. .

⚠ DANGER: Protect the cooler and electrical connection from rain and spraying water!

⚠ WARNING: Do not under any circumstances lay the cooler on its side, not even during transport.

i NOTE: In order for the device to work correctly and at maximum output, it is important to not cover up any of the device's vents and ensure sufficient air circulation.

6. ELECTRICAL CONNECTION :

Connect the device to a power socket in accordance with specifications on the machine plate of the device. Electrical wiring is subject to local regulations. If the power leads (cables) are damaged, they must be replaced by the manufacturer, their service technician or a similarly qualified person to prevent risk of hazardous situations.

⚠ DANGER: Do not use or turn on the device if the power lead (cable) is damaged!

7. TESTING:

The product is delivered ready for immediate use.

8. WARRANTY:

The device comes with a warranty in accordance with general legal regulations of the Czech Republic or in accordance with the trade agreement. During the validity period of the warranty, we will remove any defects on the product free of charge, provided these defects were not caused by excess wear, impro-

per handling, incorrect storage or by using the product in a way that is counter to the instruction manual or the product's design as defined by the manufacturer. Materials replaced during the validity period of the warranty are our property. The legitimacy of the warranty claim is always decided by an authorised service centre. Warranty provided by a retailer outside of the territory of the Czech Republic is governed by the agreement between the retailer and the buyer in their mutual relationship; this agreement is not directly linked to the manufacturer. The agreement does not give the buyer the right to submit warranty claims to the manufacturer. Transport expenses or other costs are not covered by the warranty.

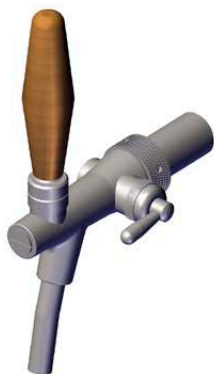
ATTENTION:

Electrical devices and appliances must be checked/inspected at a time stipulated by valid legislation of the country the device is operated in. Inspection of wiring may only be done by a person with valid authorisation for this activity. Service work, provision of spare parts and inspection is done by the manufacturer or an authorised service centre.

9. PACKAGE CONTENTS:

1. Tap (Packaging of the two-tap device contains 2 taps)
2. Drip tray
3. Tap wrench

1.



2.



3.

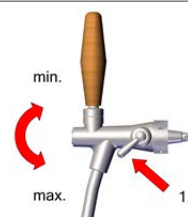


10. TAP INSTALLATION:

1.

figure 7A

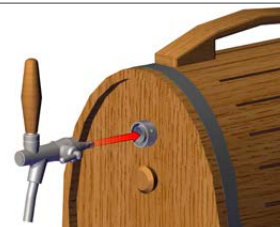
Turn the compensator lever (1.), so that it points down (see figure). The compensator lever on the tap is used to adjust the flow rate.



2.

figure 7B

Fit the tap perpendicularly onto the spline.



3.

figure 7C

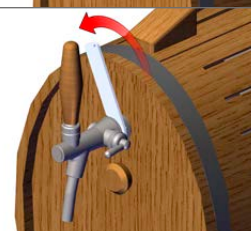
Secure with a flare nut and turn left. (loosen to the right).



4.

figure 7D

Tighten with the enclosed wrench.



11. KEG COUPLER ASSEMBLY :

11.1 Outlet for Keg Pressurisation:

Variant of connection with the use of a bushing; the hose is fitted onto the bushing and affixed with a clip.

figure 7E

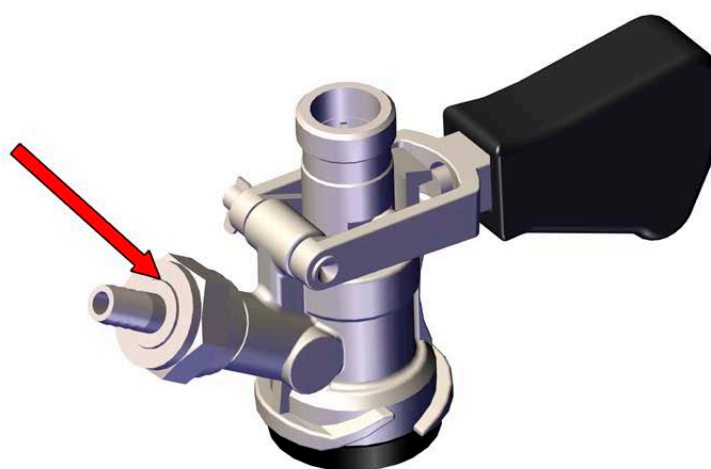


figure 8 A

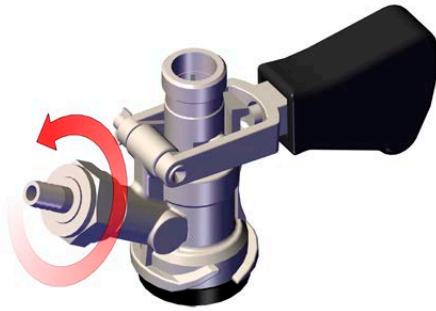


figure 8 B

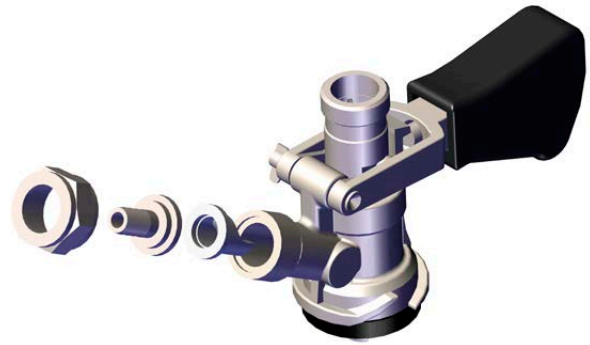


figure 8 C

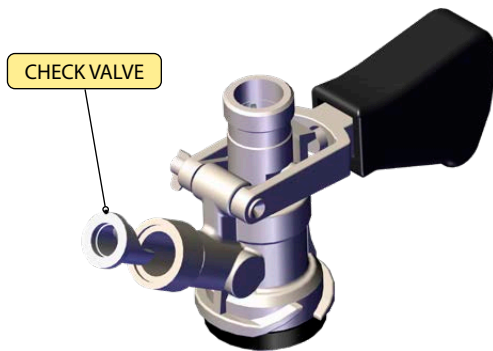
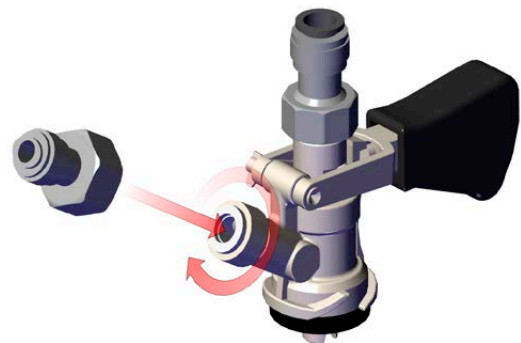


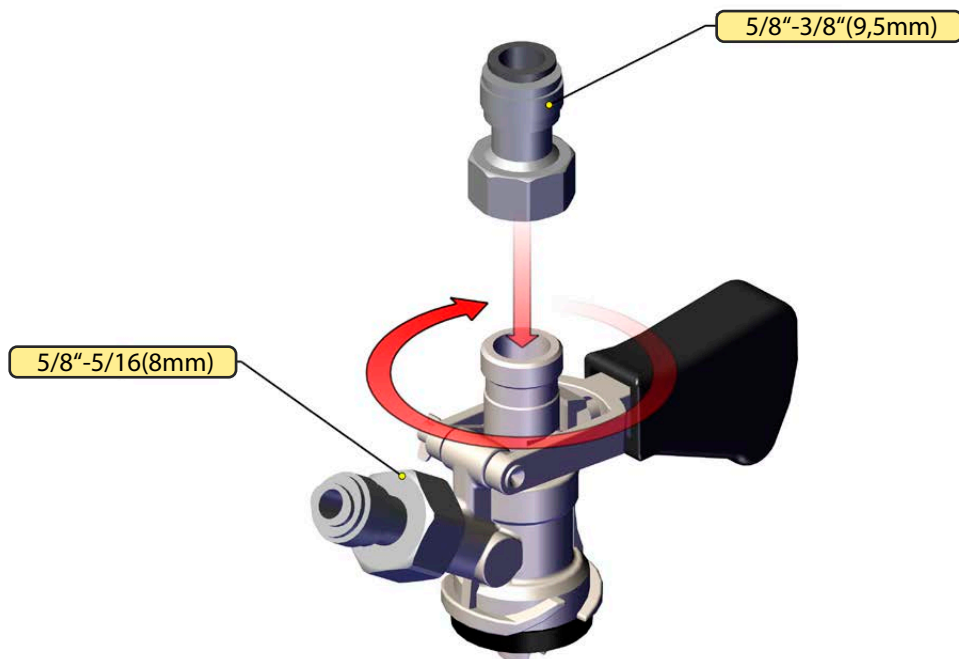
figure 8 D



⚠ WARNING: Before you screw the speed fitting onto the 5/8" thread, make sure the keg coupler (air inlet for delivery medium) has a lip valve (check valve) fitted on it.

11.2 Outlet for Beverage :

Screw an F 5/8" x 3/8" (9,5 mm) speed fitting onto the keg coupler.



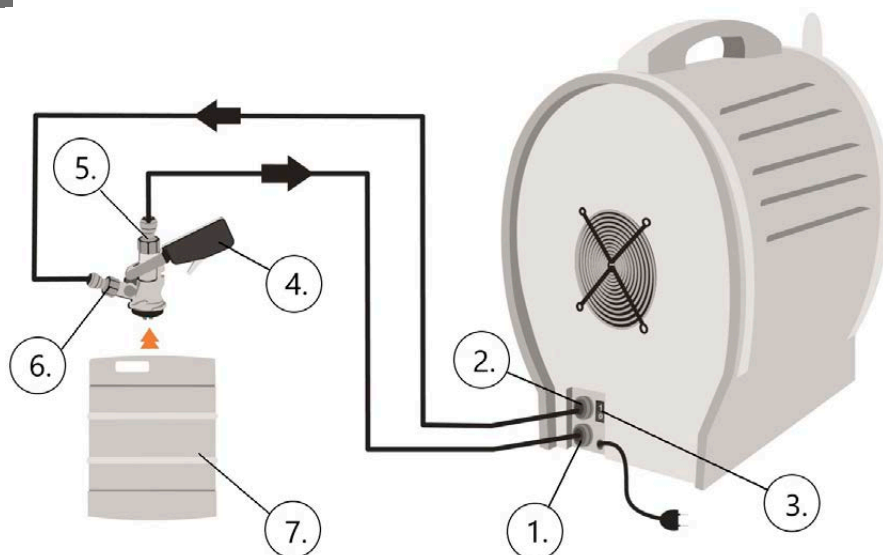
12. BEVERAGE SUPPLY CONNECTION AND PRESSURISATION:

12.1 Connection and Pressurisation by Built-In Compressor (One-Tap Device):

PYGMY 25/K Exclusive Green Line 1x kohout new

1. Beverage inlet
2. Air outlet
3. Compressor switch
4. Keg coupler (A-system, S-system, M-system)
5. F 5/8x9.5mm speed fitting
6. F 5/8x8mm speed fitting
7. Beverage

figure 9A

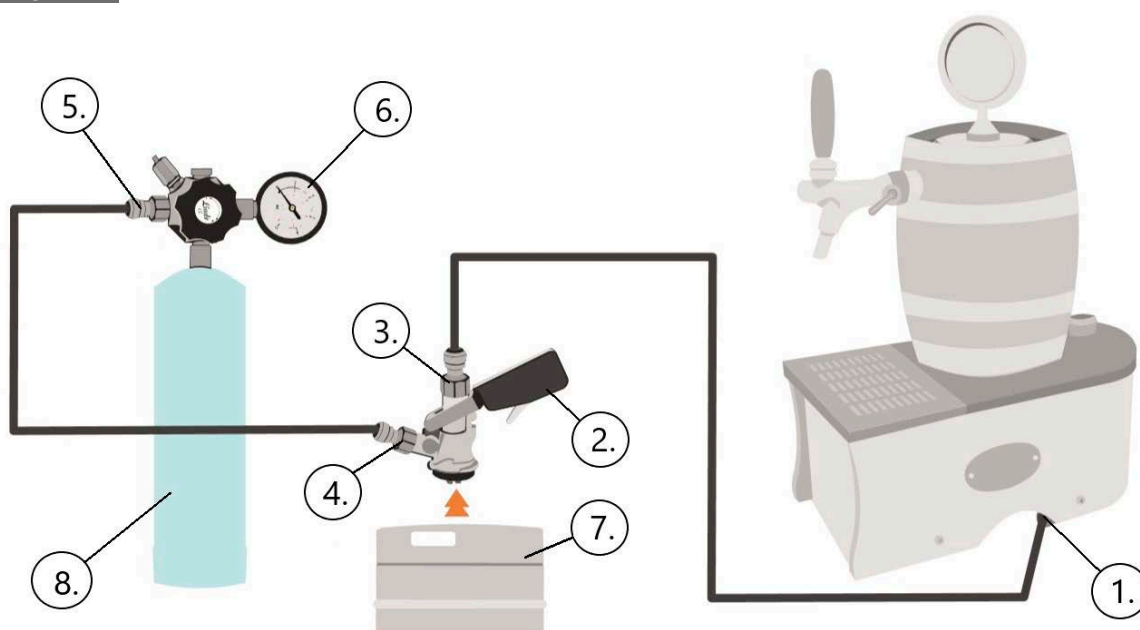


12.2 Connection and Pressurisation by CO2 Bottle (One-Tap Device):

SOUDEK 20 Green Line new, SOUDEK 50 Green Line new

1. Beverage inlet
2. Keg coupler (A-system, S-system, M-system)
3. F 5/8x9.5mm speed fitting
4. F 5/8x8mm speed fitting
5. F 7/16 x 8mm speed fitting
6. Pressure regulator for CO2 mini bottle
7. Beverage
8. Mini bottle CO2

figure 9B

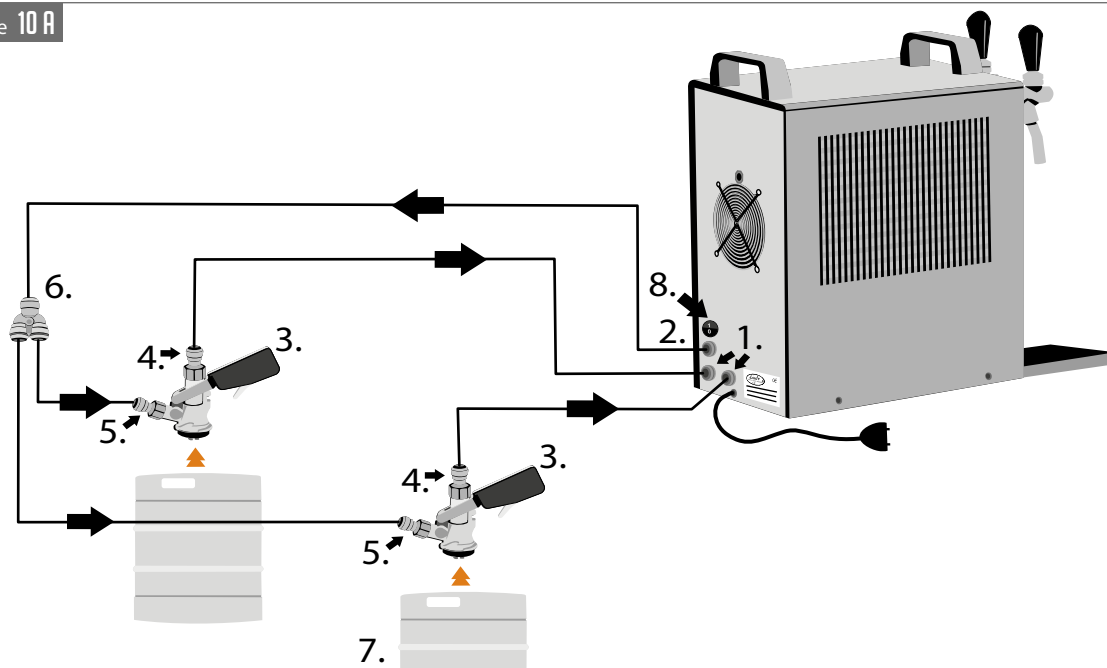


12.3 Connection and Pressurisation by Built-In Compressor (Two-Tap Device):

PYGMY 25/K Exclusive Green Line 2x kohout new

- | | |
|---|---------------------------------|
| 1. Beverage inlet | 5. F 5/8 x 9,5 mm speed fitting |
| 2. Air outlet | 6. F 5/8 x 8 mm speed fitting |
| 3. Compressor switch | 7. Y 8 x 8 x 8 mm speed fitting |
| 4. Keg coupler (A-system, S-system, M-system) | 8. Beverage |

figure 10 A

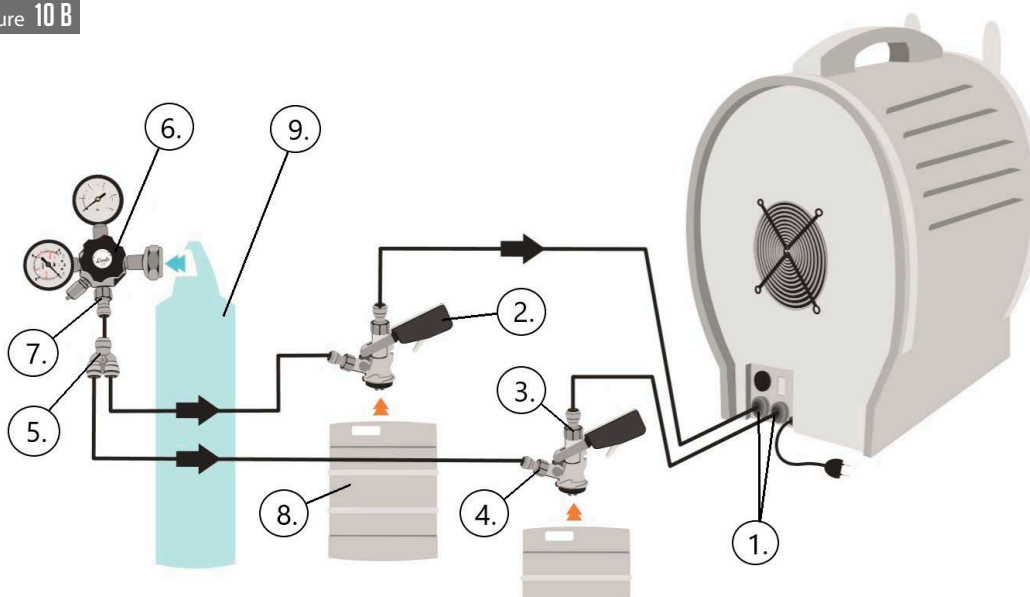


12.4 Connection and Pressurisation by Classic CO2 Bottle (Two-Tap Device):

SOUDEK 50 Green Line new

- | | |
|---|---------------------------------|
| 1. Beverage inlet | 5. Y 8 x 8 x 8 mm speed fitting |
| 2. Keg coupler (A-system, S-system, M-system) | 6. Pressure regulator for CO2 |
| 3. F 5/8 x 9,5 mm speed fitting | 7. F 7/16 x 8 mm speed fitting |
| 4. F 5/8 x 8mm speed fitting | 8. Beverage |
| | 9. Bottle CO2 |

figure 10 B



Built-In Air Compressor

Only for PYGMY 25/K Exclusive Green Line 1x kohout new, PYGMY 25/K Exclusive Green Line 2x kohout new.

The air mini-compressor is built into the cooling device itself. Automatic pressure regulation is set to 2.8-3.2 bar. K profi models allow smooth pressure regulation in 1.0-3.4 bar range. The set pressure will be displayed on the pressure gauge in bars. The compressor can be turned off separately with a switch. The air outlet from the cooler terminates in a 5/16" (8 mm) speed fitting marked AIR. The air compressor is zero-maintenance, fitted with a molecule filter for the drawn-in air.

Other Pressurisation Options :

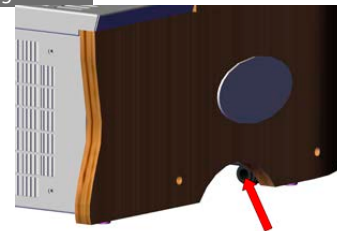
By PUMA 1HP and 1/2HP compressor, LEONARDO 1HP compressor, AIRCRAFT 1HP compressor, classic Biogon, CO2 bottles.

13. BEVERAGE CONNECTIONS:

13.1 Beverage input for model: SOUDEK 20 Green Line new

Beverage input is located on the right side from the bottom of the device

figure 11 A



13.2 Beverage input for model: SOUDEK 50 Green Line new

Beverage input is located at the back of the cooler.

figure 11 B



13.4 Beverage input for model: PYGMY 25/K Exclusive Green Line 1x kohout new, PYGMY 25/K Exclusive Green Line 2x kohout new

Beverage input is located at the back of the cooler.

figure 12 A



14. POSITIONING OF THE THERMOSTAT:

14.1 Positioning of the thermostat: SOUDEK 20 Green Line new

Mechanical thermostat is located under the wooden cap on the back of the cooler.

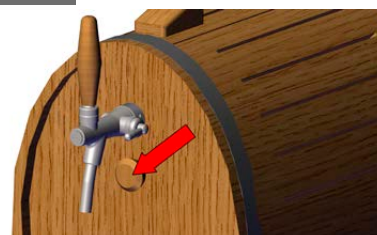
figure 12 B



14.2 Positioning of the thermostat: SOUDEK 50 Green Line new

Mechanical thermostat is located below the tap and a wooden cap on the front of the cooler.

figure 12 C



14.3 Positioning of the thermostat: PYGMY 25/K Exclusive Green Line 1x kohout new, PYGMY 25/K Exclusive Green Line 2x kohout new

Mechanical thermostat with a numeric scale of 1-7 based on the back of the cooler.

figure 12 D



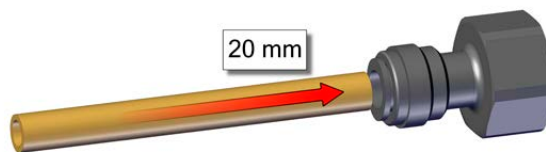
If everything is in order, check the thermostat settings (in off position). Connect the cooler to the power mains. Then use the keg coupler to tap the keg, set the desired pressure (1.0-3.4 bar) and use the tap lever to pour out some of the beverage. If the cooler contains remnants of sanitation solution or water, keep the tap lever in open position until only beverage pours out of the tap. Set the desired beverage temperature on the thermostat.

15. HOW TO WORK WITH SPEED FITTINGS:

15.1 Speed Fitting Installation:

figure 13 A

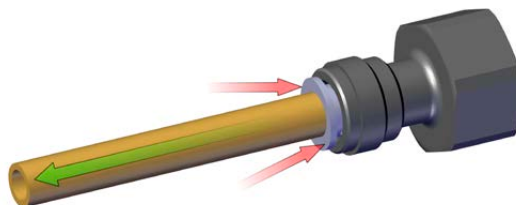
Grasp the speed fitting and insert the hose all the way inside the speed fitting body (ca. 20 mm). The end of the hose must be straight so that it plugs fully into the coupling. If the hose will not go in, moisten the end of the hose.



15.2 Speed Fitting Removal:

figure 13 B

Hold the grey ring tight against the body of the speed fitting and pull out the hose.



⚠ WARNING: If you do not hold the grey ring but pull at the hose, the speed fitting will cut even deeper into the hose.

⚠ WARNING: Hoses must not be pressurised during removal.

16. TEMPERATURE AND ADJUSTMENT :

The temperature of the cooled beverage is controlled by a mechanical thermostat in temperature range of 2 °C to 8 °C. The thermostat has a numerical scale of 1-7.

figure 13 C



0 = OFF

figure 13 D



1 = MAX. BEVERAGE TEMPERATURE (8°C)

figure 13 E



7 = MIN. BEVERAGE TEMPERATURE (2°C)

⚠ WARNING: If you are using the cooler to cool non-alcoholic beverages, set the thermostat knob to 5 at the most, otherwise, there is a risk of the beverage freezing in the cooler's tubing and damaging the device.

i Max. Inlet beverage temperature 25 °C.

17. KEG TAPPING AND UNTAPPING:

17.1 Keg Tapping:

Procedure for tapping a keg using an S-system keg coupler:

⚠ WARNING: Make sure the adapter is clean before tapping the keg!

S-system keg coupler

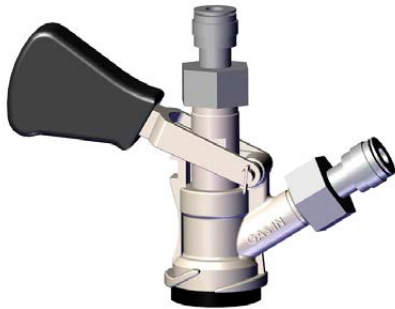


figure 14 A

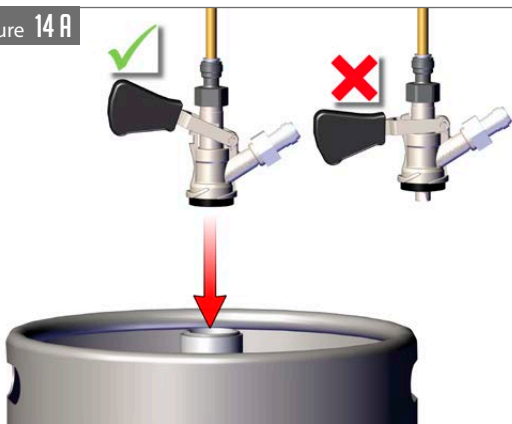


figure 14 B

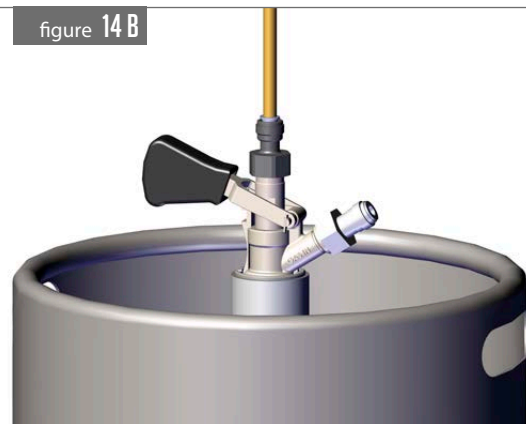


figure 14 C



figure 14 D

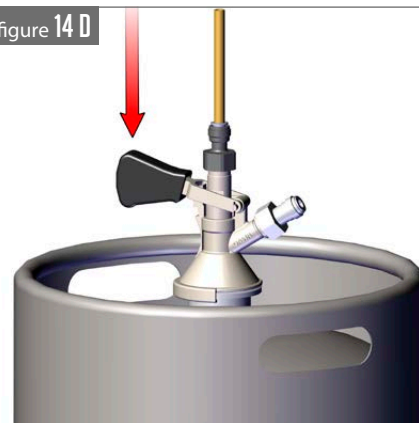
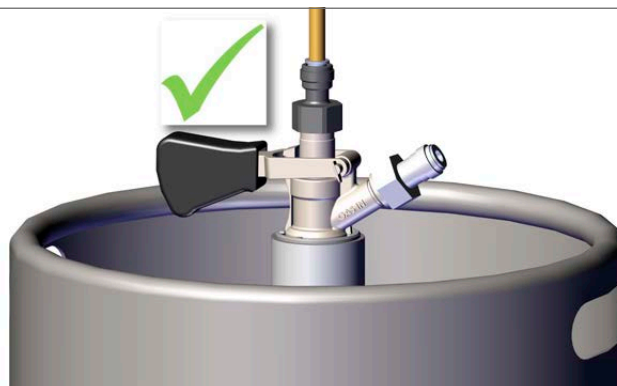


figure 14 E



17.2 Keg Untapping:

Procedure for untapping a keg using an S-system keg coupler:

figure 15 A

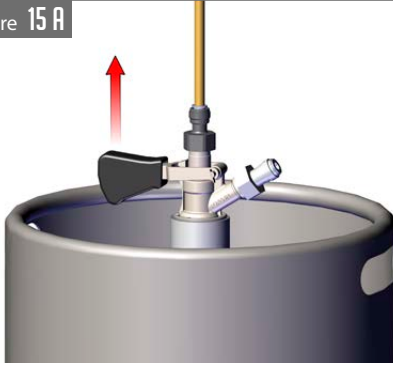
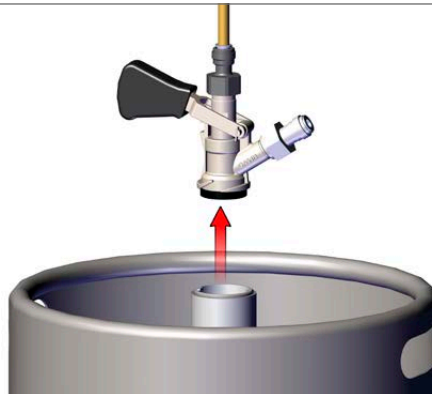


figure 15 B



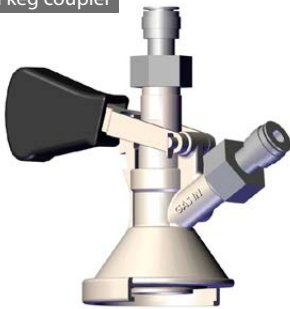
figure 15 C



17.3 Keg Tapping:

Procedure for tapping a keg using an A-system keg coupler:

A-system keg coupler



⚠ WARNING: Make sure the adapter is clean before tapping the keg!



figure 15 D

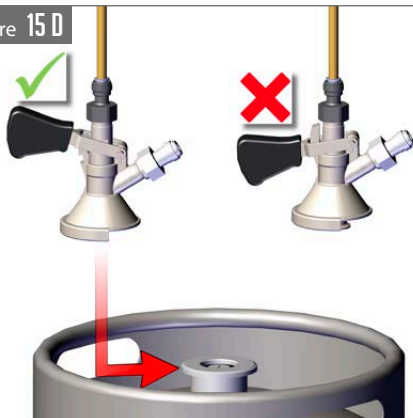


figure 15 E

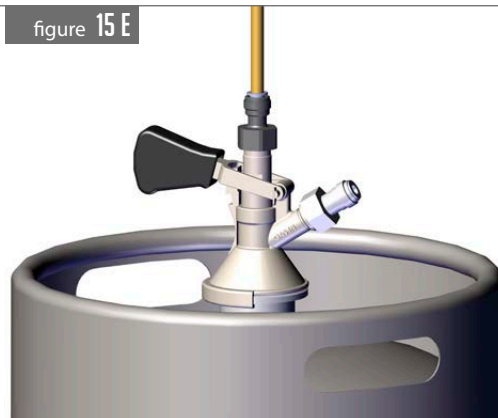


figure 16 A

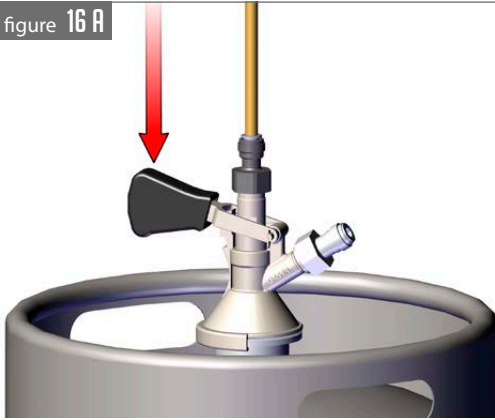
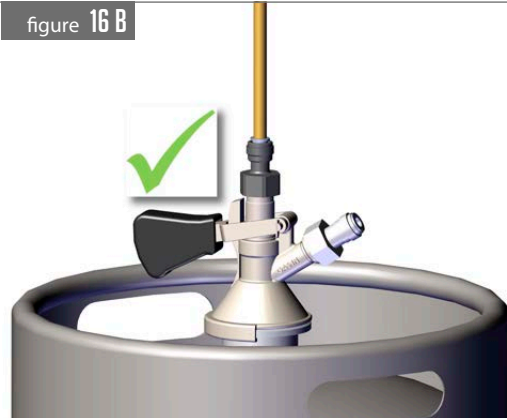


figure 16 B



17.4 Keg Untapping:

Procedure for untapping a keg using an A-system keg coupler:

figure 16 C

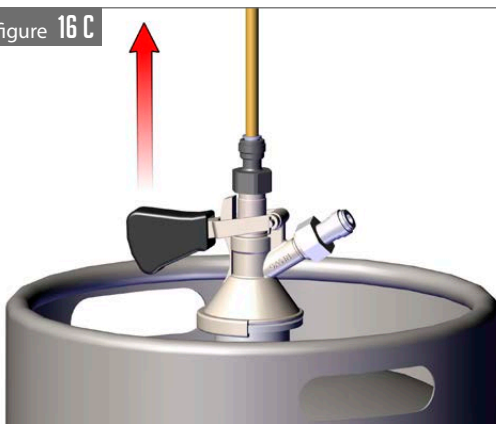
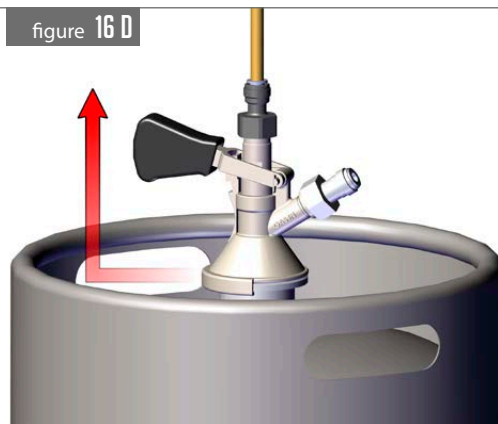


figure 16 D



18. PUTTING INTO OPERATION:

1. Interconnect air supply and beverage supply.
2. Set the thermostat to 0 position.
3. Connect the cooler to the power mains.
4. Tap the keg in accordance with point 17.
5. Turn on the air compressor using the switch and pressurise to the required pressure.
6. Check that all the joints and connections are sufficiently tight.

⚠ WARNING: If a leakage is found, untap the keg according to point 17 and turn off the device. Fix any leaks found on the tubing. If a leak is found inside the device or you are unsure how to proceed, contact a service centre.

7. Use the dispensing tap to let out some of the beverage and check that there is no water in the device.

⚠ WARNING: Never set the device to maximum cooling if there is water in the device. May cause freezing of the beverage tubing and damage the device.

8. Set the desired temperature on the thermostat – see point 16.
9. The beverage is now cooling once cooled (ca. 5-10 minutes) you can start pouring the first drink.

19. TABLE OF MALFUNCTIONS:

| <i>Malfunction</i> | <i>Cause</i> | <i>Removal</i> |
|------------------------------------|------------------------------|---|
| beverage does not flow | keg tapped incorrectly | check that the keg coupler lever is pushed down |
| | | device with built-in compressor - turn on the switch |
| | water from sanitation froze | turn off the device; then wait until the beverage starts flowing again (may take a few minutes, or hours!) |
| | compensator is closed | move the compensator lever on the tap |
| beverage cooled insufficiently | incorrect thermostat setting | turn the thermostat knob to the right towards number 7 |
| | poor air circulation | check the cleanliness of condenser plates |
| | device overheats | place the device in a colder environment |
| tap jerks, drink sprays out | pressure too high | reduce delivery medium supply, reduce pressure in the keg |
| air compressor does not switch on | | press the switch on the cooler |
| air compressor does not switch off | leakage | pull out and reinsert the air hose, tighten the nuts on the keg coupler |
| beer foams excessively | | reduce beverage temperature - turn the thermostat knob to the right |
| | | regulate flow rate by pushing the compensator lever up |
| speed fittings leaking | hose poorly inserted | pull out the hose, check that the end of the hose is flat (not at an angle), level off with a knife if needed |
| | scratches on the hose | pull out the hose and shorten by ca. 2 cm |

i NOTE: If the defect persists even after the above steps are taken, contact a service centre.

Do not forget to specify the following:

- type of defect
- product type
- production year
- product's serial number (found on the machine plate)

Ordering Components:

ALWAYS USE ORIGINAL COMPONENTS. The manufacturer or supplier bear no responsibility for non-original components or components not recommended by the manufacturer.

20. SPARE PARTS:

When ordering spare parts, always provide the following:

- product type
- production year
- product's serial number
- full name of the spare part and its number

21. SANITATION BY WATER:

(Sanitation Adapter)

Connect the sanitation adapter (not included) to water mains using a hose.

⚠ WARNING! Maximum water temperature must not exceed 25 °C.

figure 18 A

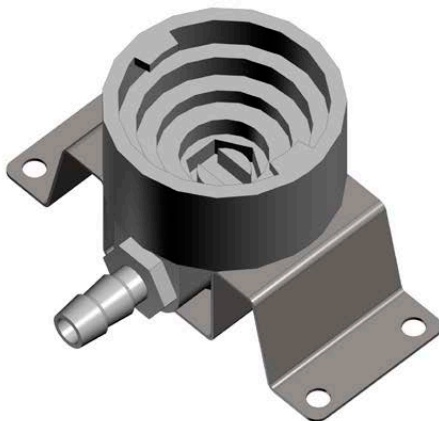
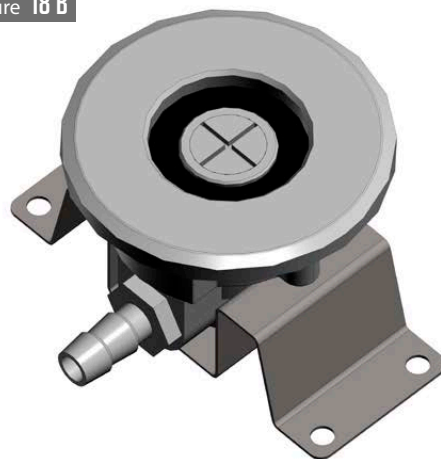


figure 18 B



i NOTE: Sanitation adapter is not included. Can be purchased as an accessory for the cooler.

Sanitation Procedure:

Once you have finished a keg, connect the keg coupler to the sanitation adapter the same way as if you were tapping a keg. Once connected, turn the bar tap lever to open position and keep it open until clean water flows out of the tap (all beverage residue and partial sediments flush out). For better sanitation of the cooling device, place cleaning balls into the hose beyond the keg coupler and use pressurised water to clean out the beverage tubing.

i NOTE: Remember to dismount the tap and remove the cleaning balls.


22. MAINTENANCE:

Flush the beverage tubing of the cooler after each use with pressurised water (see Sanitation by Water). To make flushing easier, use a sanitation adapter according to your type of keg coupler (not included in standard accessories). The cooler must be sanitised once

every 14 days by a person with chemical engineering qualifications. The condenser must be checked for cleanliness every month. Any dirt found must be cleaned with compressed air or wiped off. Otherwise, there is a risk of reduced cooling output or damaging of the cooler.

23. INSPECTION BEFORE EVERY USE:

1. Visual check.
2. Lead-in cable check.
3. Condenser cleanliness check (in case of excess pollution of the condenser, clean more frequently than 1x a month).

 **WARNING:** Do not use the device if defects or malfunctions are found.

24. PERIODIC CHECKS:

- ✓ 1x a week: check that the lead-in cable is undamaged and that the plug is firmly in the socket.
- ✓ 1x a week: check that the device is not exposed to radiant heat.
- ✓ 1x a week: check that air circulation is not obstructed.
- ✓ 1x a month: check the cooling unit's condenser and clean it regularly.
- ✓ 1x a year: have an engineering inspector check the electrical safety of the device.

25. ENVIRONMENTAL PROTECTION:

Waste Sorting:



This product must not be disposed of in communal waste. Electrical waste in the Czech Republic is disposed of within the Rema System (www.remasystem.cz).

In countries other than the Czech Republic, waste sorting is subject to local regulations.



Sorting waste allows recycling and reusing used products and packaging materials. Reuse of recycled material helps protect the environment from pollution and reduces resource consumption. Local regulations may regulate the method of disposing of household appliances at local collection points or at the point of sale.

| PRODUCT MODEL | COOLING POWER OF THE COMPRESSOR (HP) | COOLING POWER OF THE COMPRESSOR (W) | MAXIMUM COOLING CAPACITY (L/HOUR) TO 0°C/TK 45°C | CONTINUOUS COOLING PERFORMANCE (L/HOUR) | THERMAL GRADIENT Δt (°C) | NUMBER OF TAPS (Pcs) | TYPE OF REFRIGERANT | VOLTAGE | POWER (W) | AMPERAGE (A) |
|--|--------------------------------------|-------------------------------------|--|---|----------------------------------|----------------------|---------------------|--------------------|-----------|--------------|
| SOUDEK 20 Green Line new | 1/8 | 280 | 20 | 15 | 10 | 1 | R290 | 220-240V 50Hz~1 | 253 | 1,10 |
| PYGMY 25/K Exclusive Green Line 1x kohout new | 1/8 | 310 | 35 | 25 | 10 | 1 | R290 | 220-240V 50Hz~1 | 345 | 1,50 |
| PYGMY 25/K Exclusive Green Line 2x kohout new | 1/8 | 310 | 35 | 25 | 10 | 2 | R290 | 220-240V 50Hz~1 | 345 | 1,50 |
| SOUDEK 50 Green Line new | 1/5 | 510 | 50 | 40 | 10 | 2 | R290 | 220-240V 50Hz~1 | 322 | 1,40 |

