



INSTRUCTION MANUAL

CZECH UP YOUR BEER
COOLING AND DISPENSING SYSTEMS

DISPENSE TOWERS
LINDR

ENGLISH

Number 019-2020 REV00

Valid 2020-10-01



LINDR TUBE TOWER

LINDR.CZ s.p.o.
CHLADICÍ A VÝČEPNÍ TECHNIKA



CZECH UP YOUR BEER
COOLING AND DISPENSING SYSTEMS

IMPORTANT

This manual contains instructions for installation, use and operation of the appliance. This manual is an integral part of the device. It must be stored in the vicinity of the device for the entirety of its service life and must be made available to the user any time the device is installed, moved, used or maintained. Read this manual carefully before installing and using the device. It contains important information necessary to ensure that all operations are done properly and safely.

This manual is a translation of the original Czech manual.

LINDR.CZ s.r.o.

Sadová 132
503 15 Nechanice, Czech Republic

mob.: + **420 775 715 494**

tel. : +420 495 447 239

e-mail: info@lindr.cz

web: www.lindr.cz, www.lindr.eu



Contents:

1.	Introduction	4
2.	Description of the device	4
3.	General instructions, measures and safety instructions	4
4.	Warranty	4
5.	Description of the device	4
6.	Optional accessories	5
7.	Taplite installation	6
8.	Tap installation	7
9.	Spare parts	7
10.	Environmental protection	7

1. INTRODUCTION:

Thank you for purchasing this LINDR product.

2. DESCRIPTION OF THE DEVICE:

LINDR TUBE TOWER:

Slender, delicate looking type of dispense tower with minimalistic design and a single tap. This tower is practical and efficient in dispensing beer, wine or other tapped beverages. It is suitable for smaller spaces, bars, restaurants, gazebos, gardens, etc. This model has a wide range of accessories, including a design featuring an illuminated advertisement or a medallion with custom motifs.

3. GENERAL INSTRUCTIONS, MEASURES AND SAFETY INSTRUCTIONS:

When using the device, follow basic safety instructions stated by the manufacturer. Any other use is considered impermissible and therefore dangerous. The supplier is not liable for damage caused by incorrect use.

DO NOT USE THE DEVICE FOR PURPOSES OTHER THAN THOSE STATED BY THE MANUFACTURER!

5. DESCRIPTION OF THE DEVICE:

1. Nut G1/2"	6. Tap's holder
2. Distance ring	7. Gasket
3. Tower body	8. Beer line
4. Dispense tap (not included)	9. Adjusting pin
5. Distance ring	10. Lid
	11. Screw

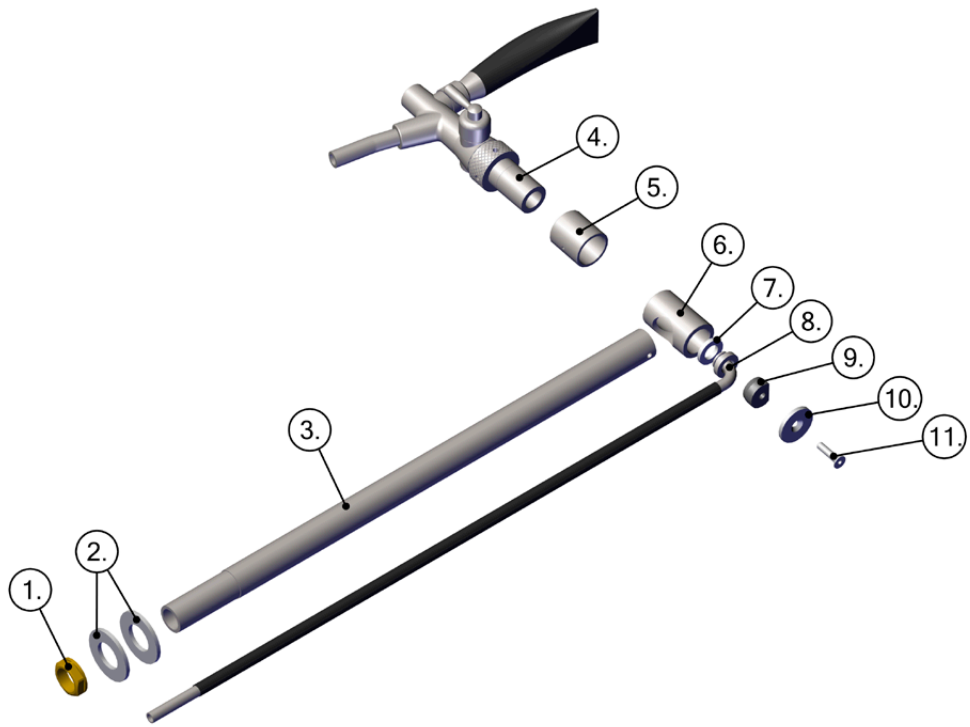
General safety principles. Observe the following safety instructions.

The supplier is not liable for damage caused by activities carried out on this device without observing the following instructions!

4. WARRANTY:

The device comes with a warranty in accordance with general legal regulations of the Czech Republic or in accordance with the trade agreement. During the validity period of the warranty, we will remove any defects on the product free of charge, provided these defects were not caused by excess wear, improper handling, incorrect storage or by using the product in a way that is counter to the instruction manual or the product's design as defined by the manufacturer. Materials replaced during the validity period of the warranty are our property. The legitimacy of the warranty claim is always decided by an authorised service centre. Warranty provided by a retailer outside of the territory of the Czech Republic is governed by the agreement between the retailer and the buyer in their mutual relationship; this agreement is not directly linked to the manufacturer. The agreement does not give the buyer the right to submit warranty claims to the manufacturer. Transport expenses or other costs are not covered by the warranty.

figure 5 A



6. OPTIONAL ACCESSORIES:

- Medaillons

figure 5 B



- Dispense taps

figure 5 C



i NOTE: The accessories are not a part of LINDR TUBE package.

7. TAPLITE INSTALLATION:

1. At first unscrew the screw and remove the lid. (obr. 6A)
2. Remove the forging from tower body. (obr. 6B)
3. Remove the beer tube from the tower body. (obr. 6C)
4. Route the cable through the taplite medaillon, forging and tower body. (obr. 6D)
5. Then essamble the tower parts and screw on the taplite.

figure 6 A

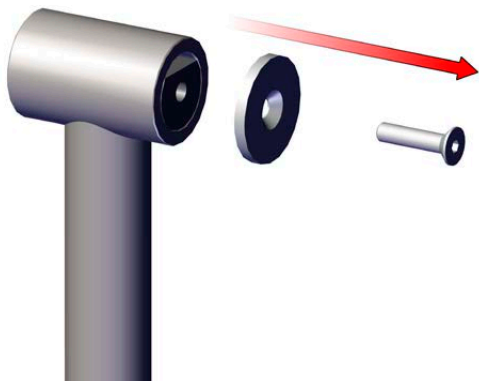


figure 6 B

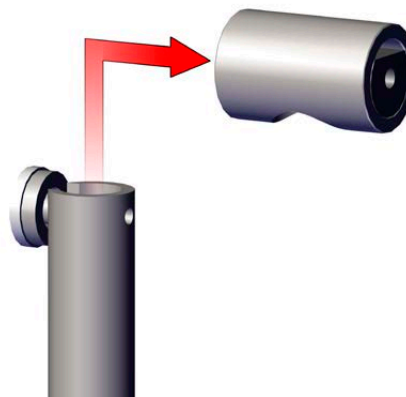
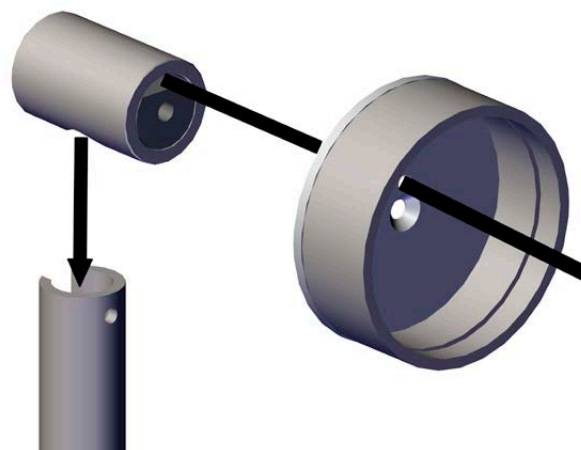


figure 6 C



figure 6 D



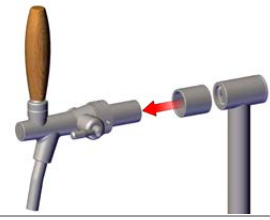
i NOTE: Route the cable without connectors and connect to the transformer.

8. TAP INSTALLATION:

1.

figure 7 A

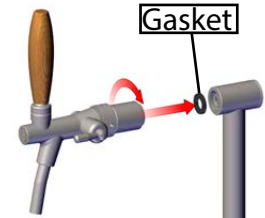
Place the distance ring on the tap thread.



2.

figure 7 B

Screw the tap into tower forging (clockwise).
Make sure you have inserted gasket.



3.

figure 7 C

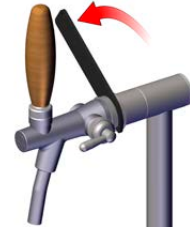
Loosen the tap nut (clockwise) and straight the tap into vertical position.



3.

figure 7 D

Tighten the tap nut (counterclockwise) with wrench.
(not included)



9. SPARE PARTS:

When ordering spare parts, always provide the following:

- product type
- production year
- product's serial number

Ordering Components:

ALWAYS USE ORIGINAL COMPONENTS. The manufacturer or supplier bear no responsibility for non-original components or components not recommended by the manufacturer.

10. ENVIRONMENTAL PROTECTION:

Waste Sorting:



This product must not be disposed of in communal waste.

In countries other than the Czech Republic, waste sorting is subject to local regulations.



Sorting waste allows recycling and reusing used products and packaging materials. Reuse of recycled material helps protect the environment from pollution and reduces resource consumption. Local regulations may regulate the method of disposing of household appliances at local collection points or at the point of sale.

