



CZECH UP YOUR BEER
COOLING AND DISPENSING SYSTEMS



QUALITY INNOVATIONS PERFORMANCE DESIGN

2020-2021

PRODUCT CATALOGUE 1/ 2020-2021



CZECH UP YOUR BEER
COOLING AND DISPENSING SYSTEMS



COMPANY

In 1992, Miloš Lindr established a production and service company in the field of dispensing and cooling systems. Thanks to several years of hard work and because of meeting its customer's requirements, a small family business grew quickly into the Lindr company, a leading Czech manufacturer of dispensing systems. Also nowadays, with the company offering interesting jobs to more than one hundred people, and having its own complete production program, Lindr still proclaims the visions of a family business, built with purely Czech capital.

DESIGN

Since the beginning, Lindr has been going its own way with original products, technology and unique design. Using high quality stainless steel in combination with natural hardwood leads to entirely original and ageless design.

QUALITY

Lindr is aware of the quality of Czech beer and of the beer culture. In order to be proud of this world top position, and to increase this quality with our products, Lindr has been using only certified materials and raw materials meeting the strictest demands for the hygiene and CE standards, which guarantee high quality, reliability, long working life and ageless design.

INNOVATIONS

Both ideas and innovations of Lindr have been highly successful on the Czech, European and world markets. Lindr's development and innovations always includes the requirements and experience of its customers, and the company keeps the best ratio of performance / quality / ease of use / design / price.

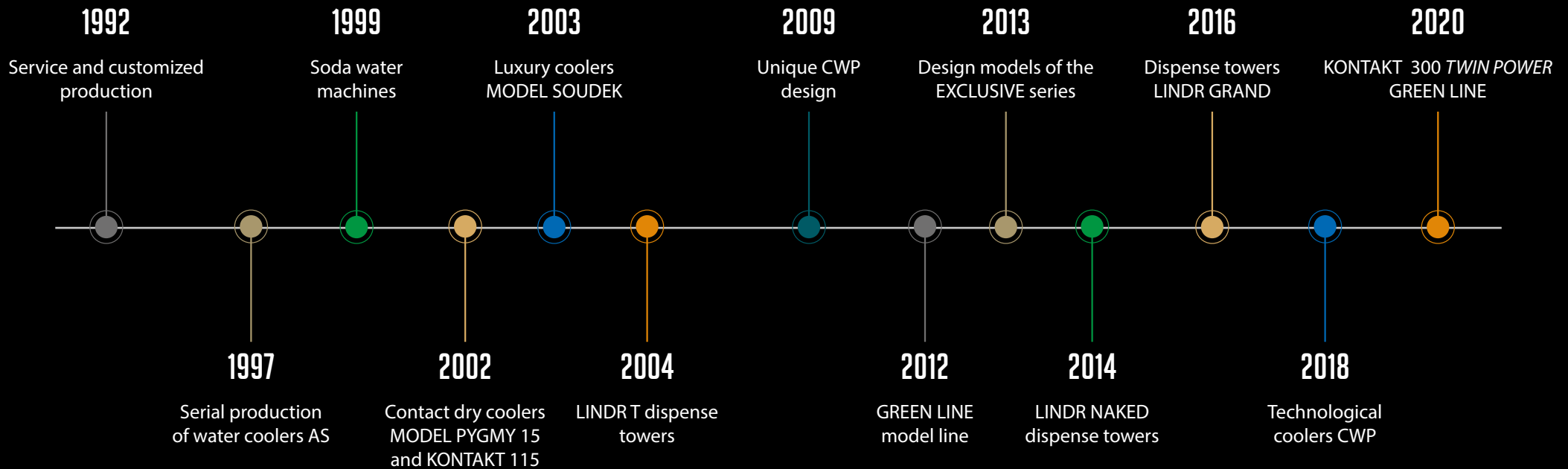
Every year the company enriches the market with entirely original innovations. At present, Lindr has the widest range of dry beer coolers and machines with the smallest dimensions as for the given performance on the European market. The whole range has over 400 versions and countless modified and personalised options.



PRODUCT DEVELOPMENT

In 1992, we introduced our first custom made beer cooler.

Over the course of 25 years, we have supplied our customers with more than 1,500 different versions and modifications of our products. We can offer our customers a wide range, more than 400 versions of our products, many custom and individual modifications.





NEW PRODUCTS FOR 2020



CZECH UP YOUR BEER
COOLING AND DISPENSING SYSTEMS

We would like to introduce to you our new additions to our product range for 2020. These products are marked with the NEW logo.

LINDR.CZ continuously invests into not only developing new products, but also innovating our existing line. The demands of our customers and our own experience help us create many one-of-a-kind technical solutions with unique parameters. We place similar emphasis on the uniqueness of our product design.

We would like to draw your attention to the NEW PRODUCTS added to our range for 2020.

During 2019, we continued our transition to GREEN LINE technology, which now constitutes over 90 % of our production from more than 400 models in our broad range.

GREEN LINE TECHNOLOGY

This major innovation consists in using new, more efficient and powerful compressors in combination with environmentally friendly and efficient refrigerant R-290. In addition, we have also introduced energy savings system in the production. **We have achieved 20 % higher energy efficiency and 20% lower energy consumption.**



KONTAKT 300 TWIN POWER GL

30-35



KONTAKT 300/K PROFI TWIN POWER GL

30-35



CWP 300 4 PUMPS GL

74-79



AS-160 INOX TROPICAL 4 taps GL

112-115



SODA EXCLUSIVE GL

142-145



SODA PYGMY 25 GL

150-153

EXPLANATORY NOTES TO SYMBOLS IN THE CATALOGUE:

NEW - new addition to the assortment

INNOVATION - change in product specifications

CATALOGUE 2020-2021



DRY BEER COOLERS

4-35



LUXURY DRY COOLERS

36-59



UNDERCOUNTER COOLERS - CWP

60-83



WATER COOLERS WITH ICE BANK - AS

84-115



DISPENSE EQUIPMENT FOR WINE MAKERS

116-133



SODA COOLERS

134-157



DISPENSE TOWERS

158-211



ACCESSORIES FOR DISPENSING EQUIPMENT

212-231



CZECH UP YOUR BEER
COOLING AND DISPENSING SYSTEMS

*A leading Czech manufacturer
of cooling and dispensing equipment*

DRY BEER COOLERS

A complete range of professional table top beer coolers that are suitable for cooling and dispensing beer in households, for garden parties, bars and restaurants. The beer is chilled in the dry thermo block.





CZECH UP YOUR BEER
COOLING AND DISPENSING SYSTEMS

PYGMY GREEN LINE MODELS

PYGMY series dispensing systems are designed for professional cooling, dispensing and serving of perfectly chilled beer and other beverages at home, on small garden parties, company celebrations etc. They are the pinnacle among small table-top coolers.



8

✓ **GREEN LINE** – all models from the PYGMY series come in full GREEN LINE design (except for PYGMY 30/K PROFI).

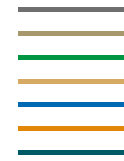
✓ **IMPROVED PERFORMANCE** – PYGMY series dispensing systems boast an increased output of 20-35 l/h, allowing you to serve 40-70 perfectly chilled drinks an hour.

✓ **KEG PRESSURISATION** – MODELS PYGMY 20/K, 25/K GREEN LINE are equipped with a unique system of a built-in, silent, high-quality air compressor fitted with a noise dampener and a molecule filter for incoming air.

✓ **PERFECT DRAUGHT BEER** – model PYGMY 30/K PROFI is fitted with a regulator with pressure gauge to set the optimal pressure for dispensing different types of beverages.

✓ **COMFORTABLY PORTABLE** – easy and safe handling of the system thanks to the small size and a handle on top.

✓ **EQUIPMENT** – thermostat allowing smooth and precise regulation of beverage temperature, dispensing tap, tap wrench, drip tray and speedfit fittings for easy connection.



BENEFIT AND FUNCTIONAL
CHARACTERISTICS OF LINDR
CONTACT DISPENSING SYSTEMS:

GREEN LINE – LINDR GREEN LINE technology is environmentally friendly thanks to the use of eco-friendly refrigerant R-290. We have introduced an energy saving system in the production. Thanks to this design, each product achieves **20% higher energy efficiency and 20% lower energy consumption.**

LINDR THERMAL BLOCK – the compressor cooling unit uses the power input for direct transfer to chilling, which guarantees minimum energy usage. Perfectly chilled beer is ready within a few minutes after switching the cooler on.

LINDR COOLING TECHNOLOGY – always more powerful than its electric input power.

STAINLESS CONSTRUCTION – The entire body and the coil of the cooler are made of stainless steel. The materials used meet the strictest hygienic standards and guarantee long service life of the cooler.

PERFORMANCE, QUALITY, SIZE – the best performance/ quality/ size ratio.

VERSATILITY – Can also be used with a bar dispense tower.



MODELS PYGMY 20, 20/K, 25, 25/K
GREEN LINE

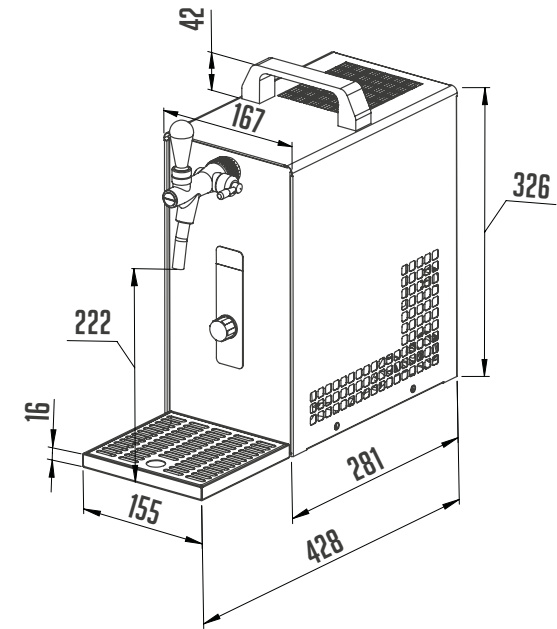
The PYGMY 25 (25/K) cooler is fitted with an aftercooled tap that ensures proper cooling even for small amounts of first beer. Small size and handle on the top allow easy handling and transport.





PYGMY 20, 20/K, 25, 25/K GREEN LINE

CZECH UP YOUR BEER
COOLING AND DISPENSING SYSTEMS



MODEL



COOLING CAPACITY



AIR COMPRESSOR



NUMBER OF COOLED BEVERAGES



NET WEIGHT

PYGMY 20 GL

25 L/ HOUR

NO

1

13,5

PYGMY 20/K GL

25 L/ HOUR

YES

1

15,5

PYGMY 25 GL

35 L/ HOUR

NO

1

14,5

PYGMY 25/K GL

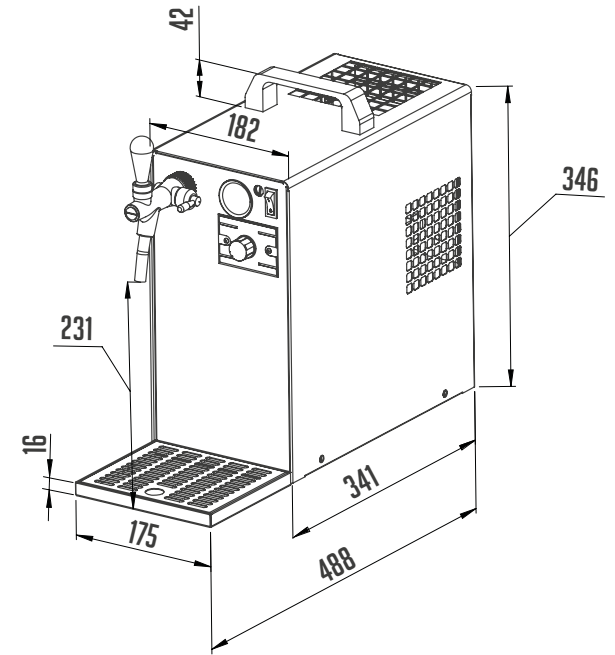
35 L/ HOUR

YES

1

16,5

PYGMY 30/K PROFÍ



MODEL	COOLING CAPACITY	AIR COMPRESSOR	NUMBER OF COOLED BEVERAGES	NET WEIGHT
PYGMY 30/K PROFÍ	35 L/HOUR	YES, REGULATION	1	19,0



CZECH UP YOUR BEER

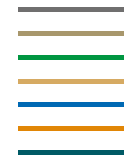
COOLING AND DISPENSING SYSTEMS

| PYGMY 30/K PROFI

PERFECT DRAUGHT BEER – model PYGMY 30/ K PROFI is fitted with a regulator with pressure gauge to set the optimal pressure for dispensing different types of beverages.



TECHNICAL PARAMETERS



PRODUCT MODEL	PYGMY 20 GL	PYGMY 20/K GL	PYGMY 25 GL	PYGMY 25/K GL	PYGMY 30/K PROFI
COOLING POWER OF THE COMPRESSOR (HP)	1/8	1/8	1/8	1/8	1/8
COOLING POWER OF THE COMPRESSOR (W)	280	280	310	310	280
MAXIMUM COOLING CAPACITY TO 0°C / TK 45°C (L/HOUR)	25	25	35	35	35
CONTINUOUS COOLING PERFORMANCE (L/HOUR)	20	20	25	25	30
THERMAL GRADIENT ΔT (°C)	10	10	10	10	10
AIR COMPRESSOR (BAR)	NO	YES, AUTOMATIC 2,8-3,2	NO	YES, AUTOMATIC 2,8-3,2	YES, REGULATION 1,0-3,6
NUMBER OF TAPS (PCS)	1	1	1	1	1
NUMBER/ LENGHT OF COOLING COILS (M)	1/ 11,5	1/ 11,5	1/ 10,5	1/ 10,5	1/ 15,5
POWER (W)	253	322	299	368	345
AMPERAGE (A)	1,10	1,40	1,30	1,60	1,50
NET WEIGHT (KG)	13,5	15,5	14,5	16,5	19,0
TYPE OF REFRIGERANT	R290	R290	R290	R290	R134A
VOLTAGE	220-240V 50HZ~1	220-240V 50HZ~1	220-240V 50HZ~1	220-240V 50HZ~1	220-240V 50HZ~1
CONNECTION BEER/ AIR - SPEEDFIT FITTINGS	3/8, --/--	3/8, 5/16	3/8, --/--	3/8, 5/16	3/8, 5/16

AVAILABLE CUSTOM MODIFICATION OPTIONS	YES	YES	YES	YES	YES
CHOICE OF TAPS	✓	✓	✓	✓	✓
BEER/ AIR STAINLESS STEEL SCREWING - 6 5/8"	✓	✓	✓	✓	✓
POWER CABLE PLUG	✓	✓	✓	✓	✓

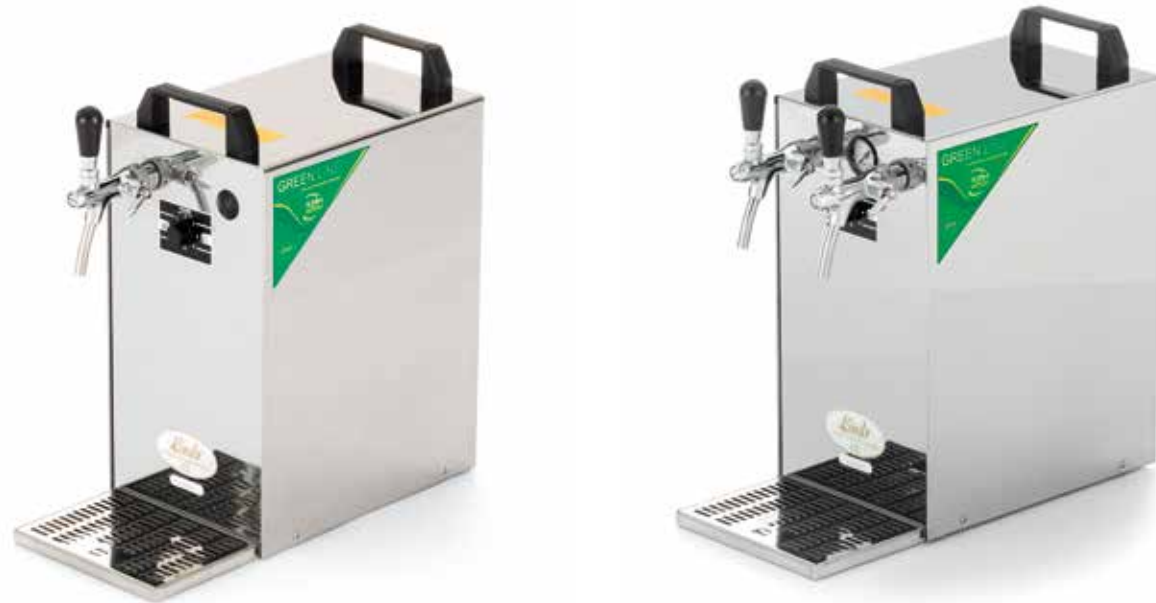
Note
 Selected models are also available in 115 V/60 Hz or 220 V/60 Hz voltage.
 Other custom modifications are also available (contact us).



CZECH UP YOUR BEER
COOLING AND DISPENSING SYSTEMS

KONTAKT 40 GREEN LINE MODELS

Dispensing systems from the KONTAKT 40 series are designed for professional cooling, dispensing and serving of perfectly chilled and other beverages at home, on garden parties, company celebrations and smaller commercial events, with ability to dispense up to 2 beverages at once (two-tap variant). Their small size and built-in air system open up new possibilities even in professional environments.



14

✓ **GREEN LINE** – all models in the KONTAKT 40 series come in full GREEN LINE design.

✓ **IMPROVED PERFORMANCE** – KONTAKT 40 series dispensing systems boast a continuous output of 40-50 l/h, allowing you to serve 80-100 perfectly chilled drinks an hour.

✓ **KEG PRESSURISATION** – MODELS KONTAKT 40/K 1x tap and 40/K are equipped with a unique system of a built-in, silent, high-quality air compressor fitted with a noise dampener, a molecule filter for incoming air and automatic operating pressure setting.

✓ **PERFECT DRAUGHT BEER** – model KONTAKT 40/K PROFI is fitted with a regulator with pressure gauge to set the optimal pressure for dispensing different types of beverages.

✓ **COMFORTABLY PORTABLE** – ease and safety of handling is maintained thanks to the system's relatively small size and two handles located on top.

✓ **EQUIPMENT** – thermostat allowing smooth and precise regulation of beverage temperature, dispensing tap(s), drip tray and speedfit fittings for easy connection.



BENEFIT AND FUNCTIONAL CHARACTERISTICS OF LINDR CONTACT DISPENSING SYSTEMS:

GREEN LINE – LINDR GREEN LINE technology is environmentally friendly thanks to the use of eco-friendly refrigerant R-290. We have introduced an energy saving system in the production. Thanks to this design, each product achieves **20% higher energy efficiency and 20% lower energy consumption.**

LINDR THERMAL BLOCK – the compressor cooling unit uses the power input for direct transfer to chilling, which guarantees minimum energy usage. Perfectly chilled beer is ready within a few minutes after switching the cooler on.

LINDR COOLING TECHNOLOGY – always more powerful than its electric input power.

STAINLESS CONSTRUCTION – the entire body and the coil of the cooler are made of stainless steel. The materials used meet the strictest hygienic standards and guarantee long service life of the cooler.

PERFORMANCE, QUALITY, SIZE – the best performance/ quality/ size ratio.

VERSATILITY – can also be used with a bar dispense tower.

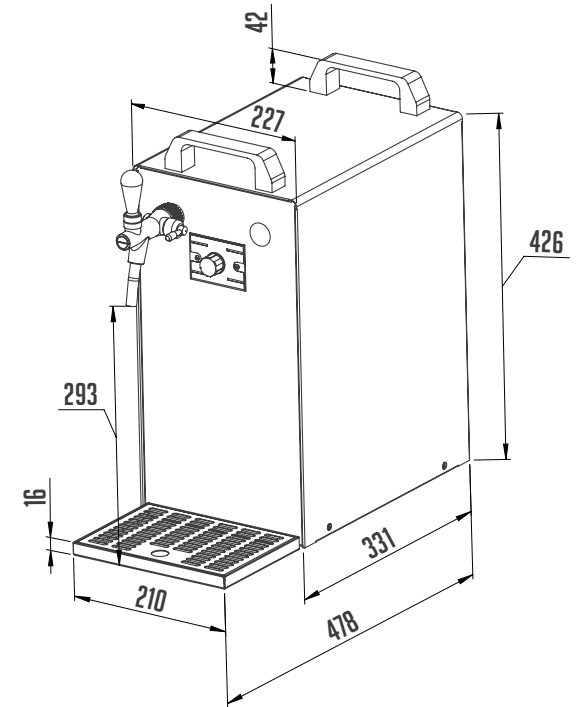
| AIR COMPRESSOR






The cooler is fitted with a wholly unique system of a built-in, silent, high-quality air compressor fitted with a noise dampener and a molecule filter for incoming air. The air system is fully automated and set to an operating pressure of 2.8 - 3.2 bar.



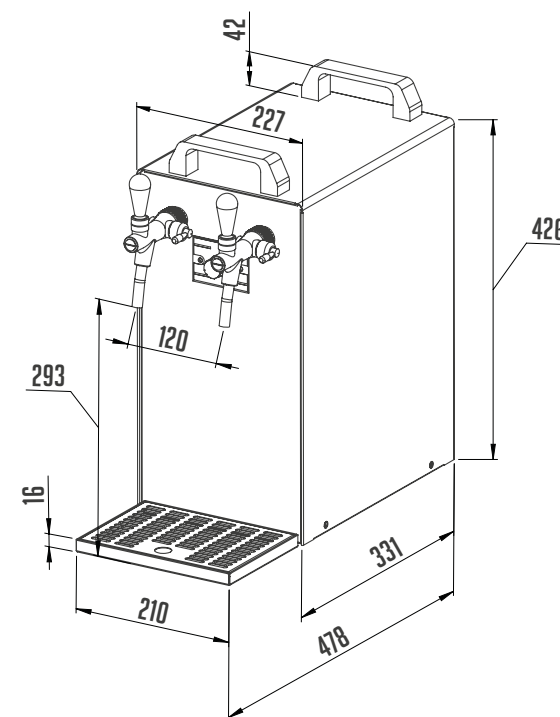
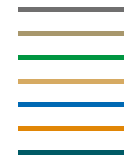
KONTAKT 40, 40/K 1x Tap GREEN LINE

CZECH UP YOUR BEER
COOLING AND DISPENSING SYSTEMS



 MODEL	 COOLING CAPACITY	 AIR COMPRESSOR	 NUMBER OF COOLED BEVERAGES	 NET WEIGHT
KONTAKT 40 GL 1x Tap	50 L/HOUR	NO	1	25,0
KONTAKT 40/K GL 1x Tap	50 L/HOUR	YES	1	27,5

KONTAKT 40, 40/K GREEN LINE



DRY BEER COOLERS

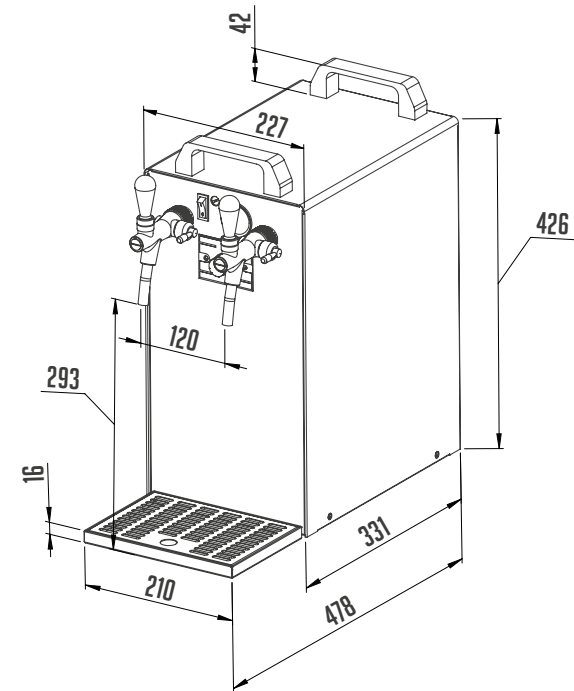
17

MODEL	COOLING CAPACITY	AIR COMPRESSOR	NUMBER OF COOLED BEVERAGES	NET WEIGHT
KONTAKT 40 GL	50 L/HOUR	NO	2	26,0
KONTAKT 40/K GL	50 L/HOUR	YES	2	29,0



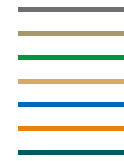
KONTAKT 40/K PROFI GREEN LINE

CZECH UP YOUR BEER
COOLING AND DISPENSING SYSTEMS



MODEL	COOLING CAPACITY	AIR COMPRESSOR	NUMBER OF COOLED BEVERAGES	NET WEIGHT
KONTAKT 40/K PROFI GL	50 L/HOUR	YES, REGULATION	2	29,0 KG

TECHNICAL PARAMETERS



PRODUCT MODEL	KONTAKT 40 GL	KONTAKT 40/K GL	KONTAKT 40 GL 1x Tap	KONTAKT 40/K GL 1x Tap	KONTAKT 40/K PROFI GL
COOLING POWER OF THE COMPRESSOR (HP)	1/5	1/5	1/5	1/5	1/5
COOLING POWER OF THE COMPRESSOR (W)	510	510	510	510	510
MAXIMUM COOLING CAPACITY TO 0°C / TK 45°C (L/HOUR)	50	50	50	50	50
CONTINUOUS COOLING PERFORMANCE (L/HOUR)	40	40	40	40	40
THERMAL GRADIENT ΔT (°C)	10	10	10	10	10
AIR COMPRESSOR (BAR)	NO	YES, AUTOMATIC 2,8-3,2	NO	YES, AUTOMATIC 2,8-3,2	YES, REGULATION 1,0-3,6
NUMBER OF TAPS (PCS)	2	2	1	1	2
NUMBER/ LENGHT OF COOLING COILS (M)	2/ 14,0	2/ 14,0	1/ 28,0	1/ 28,0	2/ 14,0
POWER (W)	322	391	322	391	391
AMPERAGE (A)	1,40	1,70	1,40	1,70	1,70
NET WEIGHT (KG)	26,0	29,0	25,0	27,5	29,0
TYPE OF REFRIGERANT	R290	R290	R290	R290	R290
VOLTAGE	220-240V 50HZ~1	220-240V 50HZ~1	220-240V 50HZ~1	220-240V 50HZ~1	220-240V 50HZ~1
CONNECTION BEER/ AIR - SPEEDFIT FITTINGS	3/8, --/--	3/8, 5/16	3/8, --/--	3/8, 5/16	3/8, 5/16

AVAILABLE CUSTOM MODIFICATION OPTIONS	YES	YES	YES	YES	YES
CHOICE OF TAPS	✓	✓	✓	✓	✓
BEER/ AIR STAINLESS STEEL SCREWING - 6 5/8"	✓	✓	✓	✓	✓
POWER CABLE PLUG	✓	✓	✓	✓	✓

Note
 Selected models are also available in 115 V/60 Hz or 220 V/60 Hz voltage.
 Other custom modifications are also available (contact us).

KONTAKT 70 GREEN LINE MODELS

Dispensing systems from the KONTAKT 70 series are designed for professional cooling, dispensing and serving of perfectly chilled beer and other beverages on company celebrations, commercial events and smaller festivals, with ability to dispense up to 2 beverages at once (two-tap variant). Their smaller size and built-in air system open up new possibilities even in professional environments.



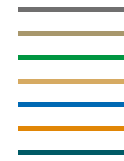
✓ **GREEN LINE** – all models in the KONTAKT 70 series come in full GREEN LINE design.

✓ **IMPROVED PERFORMANCE** – KONTAKT 70 series dispensing systems boast a continuous output of 70-90 l/h, allowing you to serve 140-180 perfectly chilled drinks an hour.

✓ **COMFORTABLY PORTABLE** – ease and safety of handling is maintained thanks to the system's relatively small size and two handles located on top.

✓ **KEG PRESSURISATION** – MODELS KONTAKT 70/K 1x tap and 70/K are equipped with a unique system of a built-in, silent, more powerful high-quality air compressor fitted with a noise dampener, a molecule filter for incoming air and automatic operating pressure setting.

✓ **EQUIPMENT** – thermostat allowing smooth and precise regulation of beverage temperature, dispensing tap(s), drip tray and speedfit fittings for easy connection.



BENEFIT AND FUNCTIONAL
CHARACTERISTICS OF LINDR
CONTACT DISPENSING SYSTEMS:

GREEN LINE – LINDR GREEN LINE technology is environmentally friendly thanks to the use of eco-friendly refrigerant R-290. We have introduced an energy saving system in the production. Thanks to this design, each product achieves **20% higher energy efficiency and 20% lower energy consumption.**

LINDR THERMAL BLOCK – the compressor cooling unit uses the power input for direct transfer to chilling, which guarantees minimum energy usage. Perfectly chilled beer is ready within a few minutes after switching the cooler on.

LINDR COOLING TECHNOLOGY – always more powerful than its electric input power.

STAINLESS CONSTRUCTION – the entire body and the coil of the cooler are made of stainless steel. The materials used meet the strictest hygienic standards and guarantee long service life of the cooler.

PERFORMANCE, QUALITY, SIZE – the best performance/ quality/ size ratio.

VERSATILITY – can also be used with a bar dispense tower.

| THERMOSTAT

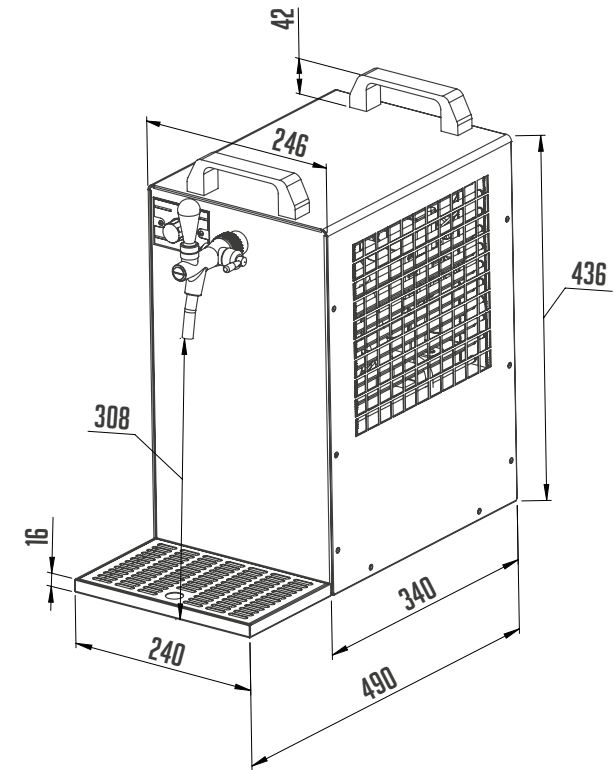
If the thermostat is set to max., the thermal block can accumulate a large amount of energy it can then use to dispense well-cooled beers one after another. The time needed to accumulate energy is ca. 10 minutes.





KONTAKT 70/K 1x Tap GREEN LINE

CZECH UP YOUR BEER
COOLING AND DISPENSING SYSTEMS



MODEL

KONTAKT 70/K GL
1x Tap



COOLING CAPACITY

90
L/ HODUR



AIR COMPRESSOR

YES



NUMBER OF COOLED BEVERAGES

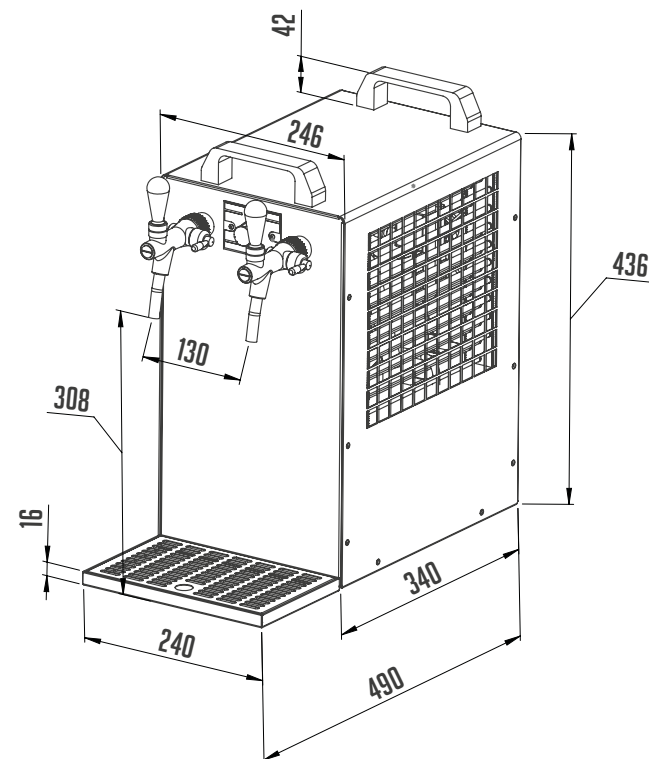
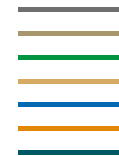
1



NET WEIGHT

28,5

KONTAKT 70, 70/K GREEN LINE



MODEL	COOLING CAPACITY	AIR COMPRESSOR	NUMBER OF COOLED BEVERAGES	NET WEIGHT
KONTAKT 70 GL	90 L/HOUR	NO	2	27,5
KONTAKT 70/K GL	90 L/HOUR	YES	2	29,5



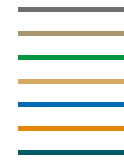
CZECH UP YOUR BEER
COOLING AND DISPENSING SYSTEMS

| KONTAKT 70/K

KONTAKT 70/K coolers also offer a one-tap variant.



TECHNICAL PARAMETERS



PRODUCT MODEL	KONTAKT 70 GL	KONTAKT 70/K GL	KONTAKT 70/K GL 1x Tap
COOLING POWER OF THE COMPRESSOR (HP)	1/3	1/3	1/3
COOLING POWER OF THE COMPRESSOR (W)	860	860	860
MAXIMUM COOLING CAPACITY TO 0°C / TK 45°C (L/HOUR)	90	90	90
CONTINUOUS COOLING PERFORMANCE (L/HOUR)	70	70	70
THERMAL GRADIENT ΔT (°C)	10	10	10
AIR COMPRESSOR (BAR)	NO	YES, AUTOMATIC 2,8-3,2	YES, AUTOMATIC 2,8-3,2
NUMBER OF TAPS (PCS)	2	2	1
NUMBER/ LENGHT OF COOLING COILS (M)	2/ 14,0	2/ 14,0	1/ 28,0
POWER (W)	506	598	598
AMPERAGE (A)	2,20	2,60	2,60
NET WEIGHT (KG)	27,5	29,5	28,5
TYPE OF REFRIGERANT	R290	R290	R290
VOLTAGE	220-240V 50HZ~1	220-240V 50HZ~1	220-240V 50HZ~1
CONNECTION BEER/ AIR - SPEEDFIT FITTINGS	3/8, --/--	3/8, 5/16	3/8, 5/16

AVAILABLE CUSTOM MODIFICATION OPTIONS	YES	YES	YES
CHOICE OF TAPS	✓	✓	✓
BEER/ AIR STAINLESS STEEL SCREWING - 6 5/8"	✓	✓	✓
POWER CABLE PLUG	✓	✓	✓

Note
 Selected models are also available in 115 V/60 Hz or 220 V/60 Hz voltage.
 Other custom modifications are also available (contact us).

KONTAKT 155 GREEN LINE MODELS

Dispensing systems from the KONTAKT 155 GREEN LINE series are designed for professional cooling, dispensing and serving of perfectly chilled beer and other beverages on commercial and non-commercial events and festivals, with ability to dispense up to 2 beverages at once thanks to two-tap design. Their size and built-in air system open up new possibilities even in professional environments.



✓ **GREEN LINE** – all models in the KONTAKT 155 series come in full GREEN LINE design.

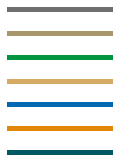
✓ **IMPROVED PERFORMANCE** – KONTAKT 155 series dispensing systems boast a continuous output of 120-160 l/h, allowing you to serve 240-320 perfectly chilled drinks an hour.

✓ **KEG PRESSURISATION** – MODELS KONTAKT 155/K are equipped with a unique system of a built-in, silent, more powerful high-quality air compressor fitted with a noise dampener, a molecule filter for incoming air and automatic operating pressure setting.

✓ **SIMPLE OPERATION** – the KONTAKT 155/R cooler is equipped with a built-in two-level CO₂ reduction valve with pressure gauges and is capable of regulating two separate operating pressures for connection to a CO₂ cylinder.

✓ **COMFORTABLY PORTABLE** – ease and safety of handling is still maintained thanks to the system's size and two handles located on top.

✓ **EQUIPMENT** – thermostat allowing smooth and precise regulation of beverage temperature, dispensing tap, tap wrench, drip tray and speedfit fittings for easy connection.



BENEFIT AND FUNCTIONAL
CHARACTERISTICS OF LINDR
CONTACT DISPENSING SYSTEMS:

GREEN LINE – LINDR GREEN LINE

technology is environmentally friendly thanks to the use of eco-friendly refrigerant R-290. We have introduced an energy saving system in the production. Thanks to this design, each product achieves **20% higher energy efficiency and 20% lower energy consumption.**

LINDR THERMAL BLOCK – the compressor cooling unit uses the power input for direct transfer to chilling, which guarantees minimum energy usage. Perfectly chilled beer is ready within a few minutes after switching the cooler on.

LINDR COOLING TECHNOLOGY – always more powerful than its electric input power.

STAINLESS CONSTRUCTION – the entire body and the coil of the cooler are made of stainless steel. The materials used meet the strictest hygienic standards and guarantee long service life of the cooler.

PERFORMANCE, QUALITY, SIZE – the best performance/ quality/ size ratio.

VERSATILITY – can also be used with a bar dispense tower.

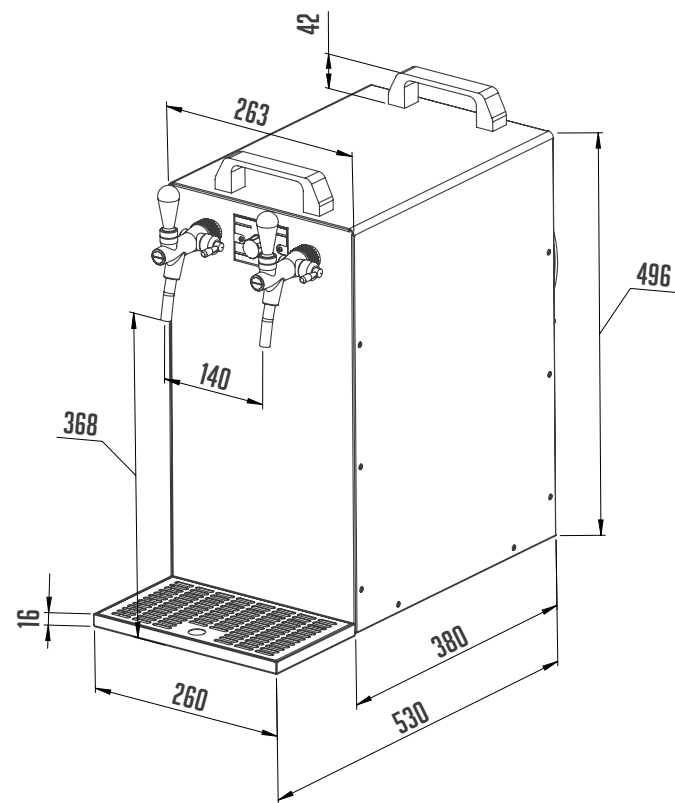
| AIR COMPRESSOR






The KONTAKT 155/K cooler is fitted with a unique system of a built-in, silent, high-quality air compressor fitted with a noise dampener and a molecule filter for incoming air. The air system is fully automated and set to an operating pressure of 2.8 - 3.2 bar.



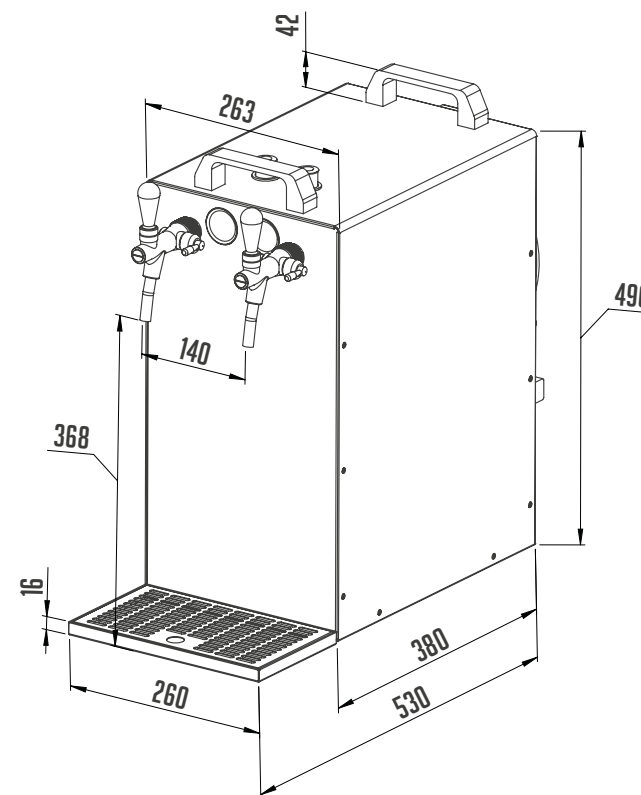
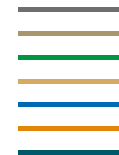
KONTAKT 155, 155/K GREEN LINE

CZECH UP YOUR BEER
COOLING AND DISPENSING SYSTEMS



 MODEL	 COOLING CAPACITY	 AIR COMPRESSOR	 NUMBER OF COOLED BEVERAGES	 NET WEIGHT
KONTAKT 155 GL	160 L/HOUR	NO	2	39,5
KONTAKT 155/K GL	160 L/HOUR	YES	2	42,0

KONTAKT 155/R GREEN LINE



MODEL	COOLING CAPACITY	PRESSURE RED. VALVE	NUMBER OF COOLED BEVERAGES	NET WEIGHT
KONTAKT 155/R GL	160 L/HOUR	YES	2	41,5 KG



CZECH UP YOUR BEER

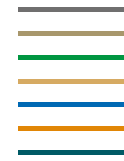
COOLING AND DISPENSING SYSTEMS

| SIMPLE OPERATION

The KONTAKT 155/R cooler is equipped with a built-in two-level CO₂ reduction valve with pressure gauges and is capable of regulating two separate operating pressures for connection to a CO₂ cylinder.



TECHNICAL PARAMETERS



PRODUCT MODEL	KONTAKT 155 GL	KONTAKT 155/K GL	KONTAKT 155/R GL
COOLING POWER OF THE COMPRESSOR (HP)	3/4	3/4	3/4
COOLING POWER OF THE COMPRESSOR (W)	1550	1550	1550
MAXIMUM COOLING CAPACITY TO 0°C / TK 45°C (L/HOUR)	160	160	160
CONTINUOUS COOLING PERFORMANCE (L/HOUR)	120	120	120
THERMAL GRADIENT ΔT (°C)	10	10	10
AIR COMPRESSOR (BAR)	NO	YES, AUTOMATIC 2,8-3,2	NO
NUMBER OF TAPS (PCS)	2	2	2
NUMBER/ LENGHT OF COOLING COILS (M)	2/ 26,0	2/ 26,0	2/ 26,0
POWER (W)	874	966	874
AMPERAGE (A)	3,80	4,20	3,80
NET WEIGHT (KG)	39,5	42,0	41,5
TYPE OF REFRIGERANT	R290	R290	R290
VOLTAGE	220-240V 50HZ~1	220-240V 50HZ~1	220-240V 50HZ~1
CONNECTION BEER/ AIR - SPEEDFIT FITTINGS	3/8, --/--	3/8, 5/16	3/8, W 21,8

AVAILABLE CUSTOM MODIFICATION OPTIONS	YES	YES	YES
CHOICE OF TAPS	✓	✓	✓
BEER/ AIR STAINLESS STEEL SCREWING - 6 5/8"	✓	✓	✓
POWER CABLE PLUG	✓	✓	✓

Note
 Selected models are also available in 115 V/60 Hz or 220 V/60 Hz voltage.
 Other custom modifications are also available (contact us).

KONTAKT 300 TWIN POWER GREEN LINE MODELS

CZECH UP YOUR BEER
 COOLING AND DISPENSING SYSTEMS

KONTAKT 300 TWIN POWER Green Line models are professional beverage coolers which can be used more than just a mobile bar. Thanks to their unique design with two cooling compressors, KONTAKT 300 TWIN POWER Green Line is the most powerful cooler in its class. It is designed for professional cooling, dispensing and serving perfectly chilled beer and other beverages at larger commercial events and festivals.



✓ **HIGH OUTPUT** - the design of the two-compressor cooling unit with use of eco-friendly refrigerant R-290 allows a maximum cooling output of up to 300 l/hour without the need to use an additional pre-cooler.

✓ **LOW INPUT POWER** - the machine's high output is achieved with a maximum input power of under 6A.

✓ **SIMPLE CONNECTION** - 2x35 m long two-circuit stainless steel tubing with 10 mm diameter embedded in a thermoblock. The tubing is fitted with a stainless steel screwing on both the inlet and outlet to connect the beverage supply (INLET - external 5/8" / OUTLET - internal 5/8").

✓ **AIR COMPRESSORS** - The two quiet inbuilt air compressors feature a separate receiver to prevent pressure fluctuations during dispensing. Regulation of pressure is 1- 4 bars.

✓ **QUICK INSTALLATION** - The taps are customized and easy to install.

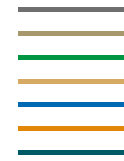
✓ **UNIVERSAL USE** - the design of KONTAKT 300 TWIN POWER allows the cooler to be used as a pre-cooler, an undercounter cooler and, above all, as a portable, powerful cooler.

✓ **ILLUMINATED ADVERTISING** - full scale advertising space facing in the direction of the customer with customised logos.

✓ **EASILY PORTABLE** - the robust construction of the machines's two sliding stainless steel handles enables ease of portability.

✓ **HYGIENE AND DURABILITY** - the entire body and coils are made of stainless steel. The materials used meet the strictest hygienic standards and guarantee long service life of the cooler.

✓ **RECYCLABLE MATERIALS** - the cooler is made of fully recyclable materials.



BENEFITS AND FUNCTIONAL CHARACTERISTICS OF LINDR CONTACT COOLERS:

GREENLINE - LINDR GREENLINE technology is environmentally friendly thanks to the use of eco-friendly refrigerant R-290. We have also introduced an energy saving system in the production. This cooler achieves **20% higher energy efficiency and 20% lower energy consumption.**

LINDR THERMOBLOCK - the compressor cooling unit uses the power input for direct transfer to chilling, which guarantees minimum energy usage. Perfectly chilled beer is ready within a few minutes after switching the cooler on.

LINDR COOLING TECHNOLOGY - is always more powerful than its electric power input.

STAINLESS STEEL BODY - The entire body and the coil of the cooler are made of stainless steel. The materials used meet the strictest hygienic standards and guarantee long service life of the cooler.

PERFORMANCE, QUALITY, DIMENSIONS - best performance/quality/dimensions ratio.

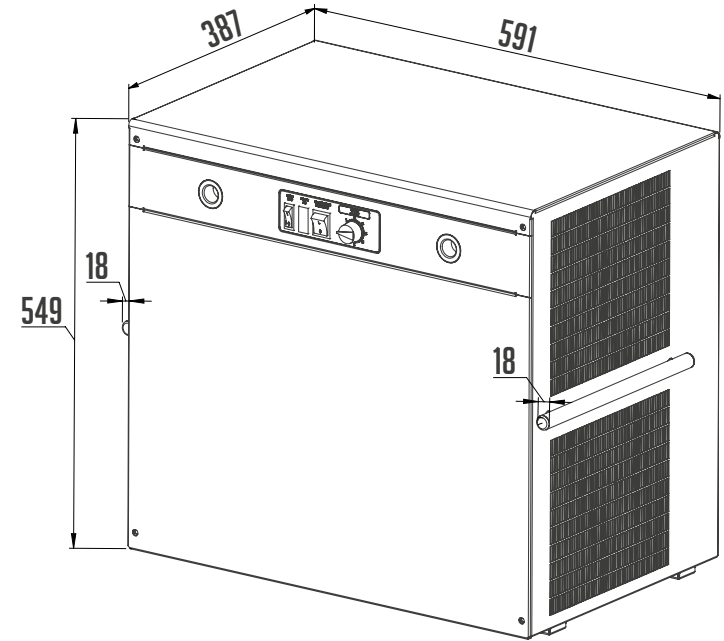
VERSATILITY - Can also be used with a bar dispense tower.





KONTAKT 300 TWIN POWER GREEN LINE

CZECH UP YOUR BEER
COOLING AND DISPENSING SYSTEMS



34



MODEL

KONTAKT 300 TWIN
POWER GL



COOLING
CAPACITY

300
L/HOUR



AIR
COMPRESSOR

NO



NUMBER
OF TAPS

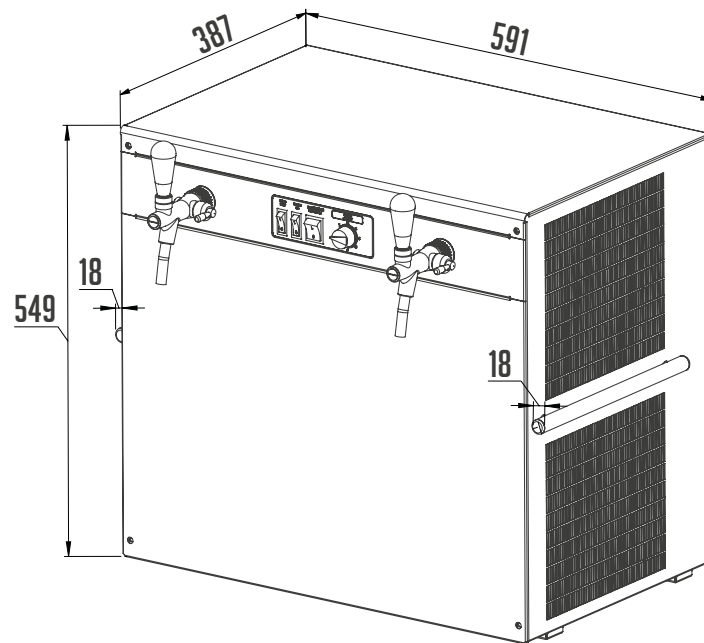
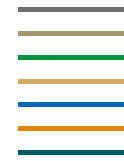
2



NET
WEIGHT

70,0

KONTAKT 300/K PROFI TWIN POWER GREEN LINE



DRY BEER COOLERS

35



MODEL

KONTAKT 300/K PROFI
TWIN POWER GL



COOLING
CAPACITY

300
L/ HOUR



AIR
COMPRESSOR

YES,
REGULATION
1-4 BAR



NUMBER
OF TAPS

2



NET
WEIGHT

76,0



CZECH UP YOUR BEER

COOLING AND DISPENSING SYSTEMS

This powerful dispensing system is **perfect for summer festivals**, whose relaxed atmosphere is also closely tied with **large amounts of well-cooled beer**. The device features a compressor system with two independent circuits fitted with a pre-cooler and a main cooler. The cooler achieves a remarkable **cooling output of 300 litres per hour**. Thanks to the unique know-how of LINDR. CZ technicians, **KONTAKT 300 TWIN POWER GREEN LINE** boasts a cooling coil length of 2x35 metres, which allows the **pipng to hold up to 4.5 litres of beer at a time**. The air compressors feature a separate receiver which prevents pressure fluctuations during dispensing. Our new dispensing system is suitable for locations where the beer does not have the "ideal" low temperature on the input and where quick and precise cooling, high tap output and **ease of connection and installation** are required.

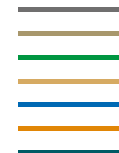
36

| ILLUMINATED ADVERTISING

full-scale advertisement panel facing the customer allows the user to easily switch and customise motifs.



TECHNICAL PARAMETERS



PRODUCT MODEL	KONTAKT 300 TWIN POWER GL	KONTAKT 300/K PROFI TWIN POWER GL
COOLING POWER OF THE COMPRESSOR (HP)	2 X 1/2	2 X 1/2
COOLING POWER OF THE COMPRESSOR (W)	2 X 1488	2 X 1488
MAXIMUM COOLING CAPACITY TO 0°C / TK 45°C (L/HOUR)	300	300
CONTINUOUS COOLING PERFORMANCE (L/HOUR)	240	240
THERMAL GRADIENT ΔT (°C)	10	10
AIR COMPRESSOR (BAR)	NO	YES, REGULATION 1,0-4,0 BAR
NUMBER OF BEVERAGES (PCS)	2	2
NUMBER/ LENGHT OF COOLING COILS (M)	2/ 35	2/ 35
POWER (W)	1150	1380
AMPERAGE (A)	5,00	6,00
NET WEIGHT (KG)	70,0	76,0
TYPE OF REFRIGERANT	R290	R290
VOLTAGE	220-240V 50HZ~1	220-240V 50HZ~1
BEER/AIR STAINLESS STEEL SCREWING	G 5/8 , -/--	G 5/8 , G 5/8
AVAILABLE CUSTOM MODIFICATION OPTIONS	YES	YES
CHOICE OF TAPS	✓	✓
POWER CABLE PLUG	✓	✓

Note

Selected models are also available in 115 V/60 Hz or 220 V/60 Hz voltage.
Other custom modifications are also available (contact us).



CZECH UP YOUR BEER
COOLING AND DISPENSING SYSTEMS

*A leading Czech manufacturer
of cooling and dispensing equipment*

LUXURY DRY COOLERS

The luxury range is designed for demanding customers with specific requirements for the design. We use wooden accessories for some types of dispensing equipment.





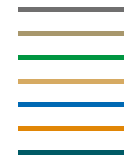
CZECH UP YOUR BEER
COOLING AND DISPENSING SYSTEMS

PYGMY EXCLUSIVE series dispensing systems are designed for professional cooling, dispensing and serving of perfectly chilled beer and other beverages at home, small garden parties, company celebrations etc. They are the pinnacle among small table-top coolers.



- ✓ **KEG PRESSURISATION** – MODELS PYGMY EXCLUSIVE are equipped with a unique system of a built-in, silent, high-quality air compressor fitted with a noise dampener and a molecule filter for incoming air.
- ✓ **COMFORTABLY PORTABLE** – easy and safe handling thanks to the system's small size and retractable handle.
- ✓ **DESIGN** – luxurious and elegant with backlit front panel.

- ✓ **INDIVIDUALITY** – backlit front panel allows customisable motifs.
- ✓ **EQUIPMENT** – thermostat allowing smooth and precise regulation of beverage temperature, dispensing tap, tap wrench, drip tray and speedfit fittings for easy connection.



BENEFIT AND FUNCTIONAL CHARACTERISTICS OF LINDR DELUXE DISPENSING SYSTEMS:

LINDR THERMAL BLOCK – the compressor cooling unit uses the power input for direct transfer to chilling, which guarantees minimum energy usage. Perfectly chilled beer is ready within a few minutes after switching the cooler on.

LINDR COOLING TECHNOLOGY – always more powerful than its electric input power.

STAINLESS CONSTRUCTION – the entire body and the coil of the cooler are made of stainless steel. The materials used meet the strictest hygienic standards and guarantee long service life of the cooler.

PERFORMANCE, QUALITY, SIZE – the best performance/ quality/ size ratio.

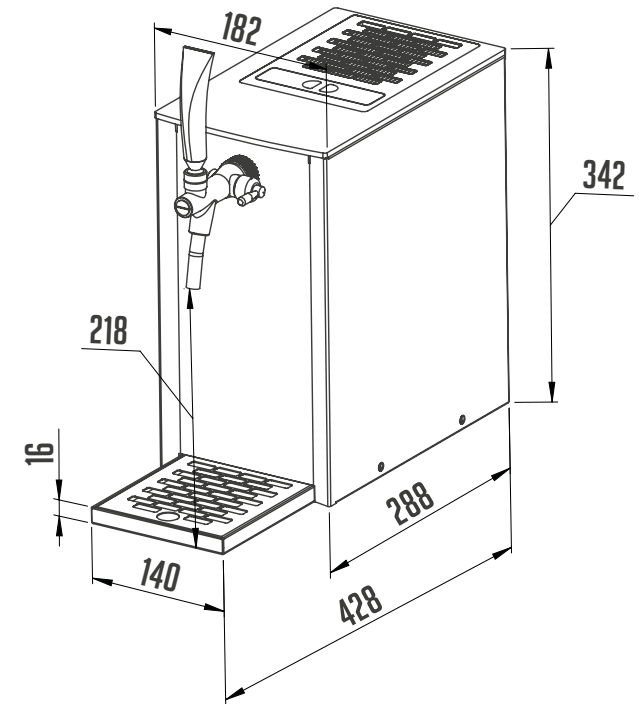
| TWO TAPS AND CUSTOMISABILITY

PYGMY EXCLUSIVE is the smallest two-tap cooler in its category on the market and allows the customer to choose custom motifs for the backlit front panel.



PYGMY 25/K EXCLUSIVE 1x Tap

CZECH UP YOUR BEER
COOLING AND DISPENSING SYSTEMS



MODEL

PYGMY 25/K EXCLUSIVE
1x Tap



COOLING
CAPACITY

30
L/HOUR



AIR
COMPRESSOR

YES



NUMBER OF COOLED
BEVERAGES

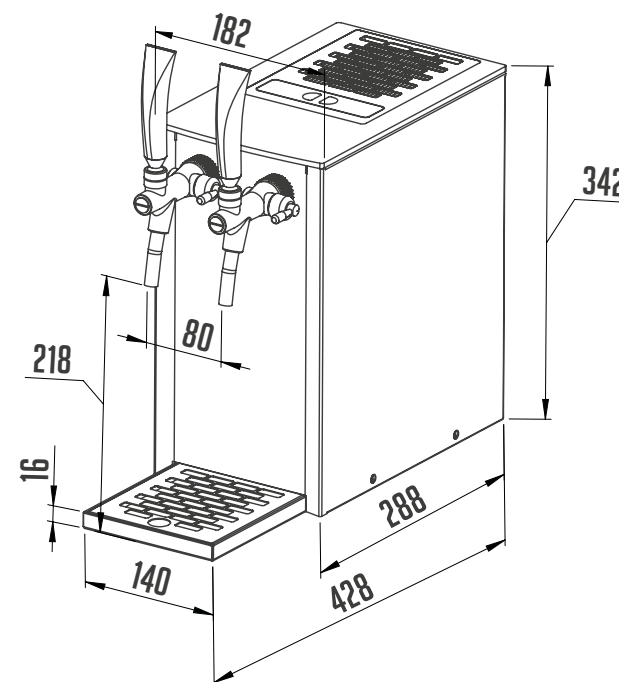
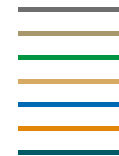
1



NET
WEIGHT

16,5

PYGMY 25/K EXCLUSIVE 2x Tap



MODEL	COOLING CAPACITY	AIR COMPRESSOR	NUMBER OF COOLED BEVERAGES	NET WEIGHT
PYGMY 25/K EXCLUSIVE 2x Tap	30 L/HOUR	YES	2	17,5



CZECH UP YOUR BEER

COOLING AND DISPENSING SYSTEMS

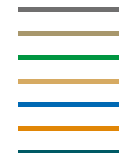
| PYGMY EXCLUSIVE MODELS

Coolers from the **PYGMY EXCLUSIVE** series are a posterchild for modern design. All the control elements are located at the back of the cooler. Its solid side panels are undisturbed by vents and the new handle design perfectly fits the system's modern conception. The luxurious look is further highlighted by the backlit front panel.

44



TECHNICAL PARAMETERS



PRODUCT MODEL	PYGMY 25/K EXCLUSIVE 1x Tap	PYGMY 25/K EXCLUSIVE 2x Tap
COOLING POWER OF THE COMPRESSOR (HP)	1/8	1/8
COOLING POWER OF THE COMPRESSOR (W)	280	280
MAXIMUM COOLING CAPACITY TO 0°C / TK 45°C (L/HOUR)	30	30
CONTINUOUS COOLING PERFORMANCE (L/HOUR)	25	25
THERMAL GRADIENT ΔT (°C)	10	10
AIR COMPRESSOR (BAR)	YES, AUTOMATIC 2,8-3,2	YES, AUTOMATIC 2,8-3,2
NUMBER OF TAPS (PCS)	1	2
NUMBER/ LENGHT OF COOLING COILS (M)	1/13,5	2/8,0
POWER (W)	345	345
AMPERAGE (A)	1,50	1,50
NET WEIGHT (KG)	16,5	17,5
TYPE OF REFRIGERANT	R134A	R134A
VOLTAGE	220-240V 50HZ~1	220-240V 50HZ~1
CONNECTION BEER/ AIR - SPEEDFIT FITTINGS	3/8, 5/16	3/8, 5/16
AVAILABLE CUSTOM MODIFICATION OPTIONS	YES	YES
CHOICE OF TAPS	✓	✓
BEER/ AIR STAINLESS STEEL SCREWING - 6 5/8"	✓	✓
POWER CABLE PLUG	✓	✓
BACKLIT PANEL	✓	✓

Note
 Selected models are also available in 115 V/60 Hz or 220 V/60 Hz voltage.
 Other custom modifications are also available (contact us).



SOUDEK 20, SOUDEK 30/K MODELS

CZECH UP YOUR BEER
COOLING AND DISPENSING SYSTEMS

Luxury beer coolers SOUDEK 20 and SOUDEK 30/K are designed for professional cooling, dispensing and serving of perfectly chilled beer at home or in professional, commercial environments. Very high-quality manufacturing from stainless steel and oak wood. Accessories and visually sleek design predestine the cooler for use as a modern complement at home or a bar.



- ✓ **KEG PRESSURISATION** – MODEL SOUDEK 30/K is equipped with a unique system of a built-in, silent, high-quality air compressor fitted with a noise dampener and a molecule filter for incoming air.
- ✓ **DESIGN** – luxurious and elegant look of oak wood combined with stainless accessories.
- ✓ **COMFORTABLY PORTABLE** – easy and safe handling thanks to the system's small size.

- ✓ **PLAQUE** – the SOUDEK 20 dispensing system can be fitted with a wooden presentation/advertising plaque.
- ✓ **EQUIPMENT** – thermostat allowing smooth and precise regulation of beverage temperature, dispensing tap, tap wrench, drip tray and speedfit fittings for easy connection.



BENEFIT AND FUNCTIONAL
CHARACTERISTICS OF LINDR DELUXE
DISPENSING SYSTEMS:

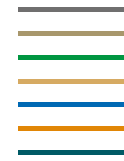
LINDR THERMAL BLOCK – the compressor cooling unit uses the power input for direct transfer to chilling, which guarantees minimum energy usage. Perfectly chilled beer is ready within a few minutes after switching the cooler on.

LINDR COOLING TECHNOLOGY – always more powerful than its electric input power.

PERFORMANCE, QUALITY, SIZE – the best performance/ quality/ size ratio.

| SOUDEK 20

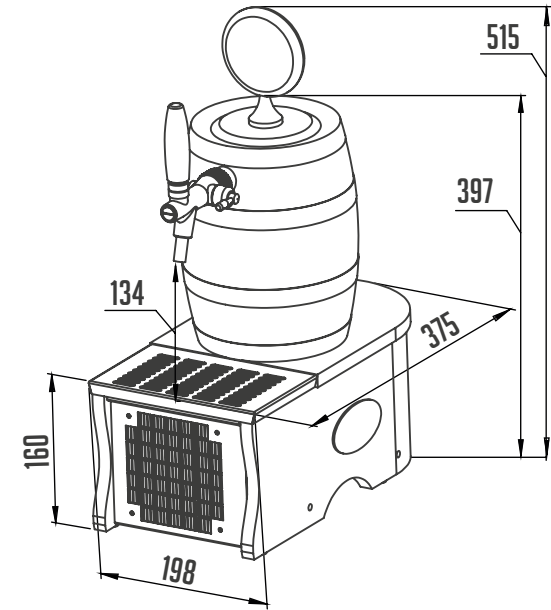
The luxurious beer cooler SOUDEK 20 is designed for cooling, dispensing and serving perfectly chilled beer at home.





SOUDEK 20

CZECH UP YOUR BEER
COOLING AND DISPENSING SYSTEMS



48



MODEL

SOUDEK 20



COOLING
CAPACITY

20
L/HOUR



AIR
COMPRESSOR

NO



NUMBER OF COOLED
BEVERAGES

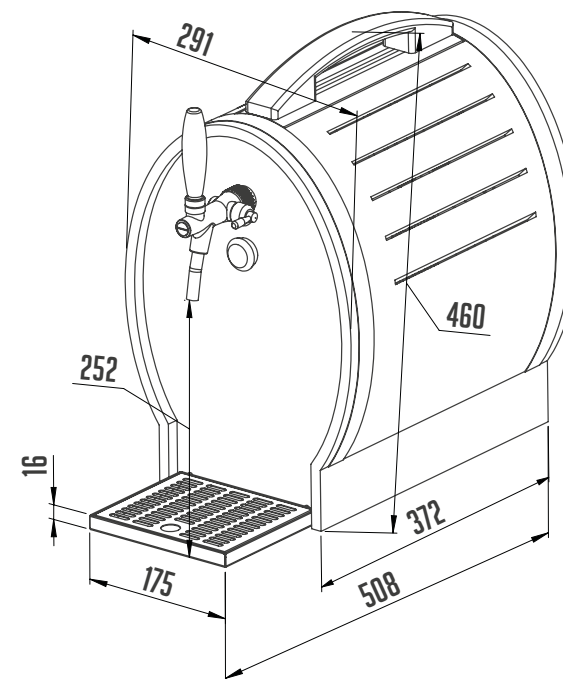
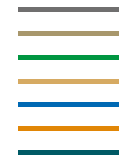
1



NET
WEIGHT

13,5

SOUDEK 30/K



MODEL

SOUDEK 30/K



COOLING CAPACITY

35 L/HOUR



AIR COMPRESSOR

YES



NUMBER OF COOLED BEVERAGES

1



NET WEIGHT

21,5





CZECH UP YOUR BEER
COOLING AND DISPENSING SYSTEMS

| SOUDEK 30/K

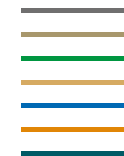
The luxurious beer cooler SOUDEK 30/K is designed for professional cooling, dispensing and serving of perfectly chilled beer at home or in a professional, commercial environments.



50



TECHNICAL PARAMETERS



PRODUCT MODEL	SOUDEK 20	SOUDEK 30/K
COOLING POWER OF THE COMPRESSOR (HP)	1/8	1/8
COOLING POWER OF THE COMPRESSOR (W)	280	280
MAXIMUM COOLING CAPACITY TO 0°C / TK 45°C (L/HOUR)	20	35
CONTINUOUS COOLING PERFORMANCE (L/HOUR)	15	30
THERMAL GRADIENT ΔT (°C)	10	10
AIR COMPRESSOR (BAR)	NO	YES, AUTOMATIC 2,8-3,2
NUMBER OF TAPS (PCS)	1	1
NUMBER/ LENGHT OF COOLING COILS (M)	1/11,0	1/15,5
POWER (W)	276	345
AMPERAGE (A)	1,20	1,50
NET WEIGHT (KG)	13,5	21,5
TYPE OF REFRIGERANT	R134A	R134A
VOLTAGE	220-240V 50HZ~1	220-240V 50HZ~1
CONNECTION BEER/ AIR - SPEEDFIT FITTINGS	3/8, --/--	3/8, 5/16

AVAILABLE CUSTOM MODIFICATION OPTIONS	YES	YES
CHOICE OF TAPS	✓	✓
BEER/ AIR STAINLESS STEEL SCREWING - 6 5/8"	X	✓
POWER CABLE PLUG	✓	✓
BACKLIT PANEL	X	X

Note
 Selected models are also available in 115 V/60 Hz or 220 V/60 Hz voltage.
 Other custom modifications are also available (contact us).

SOUDEK 50 GREEN LINE MODELS

Luxurious beer coolers SOUDEK 50 are designed for cooling, dispensing and serving perfectly chilled beer or wine at home or in commercial environments. The models allow dispensing up to three beverages at the same time. Made of very high-quality oak wood with stainless steel. Accessories and visually sleek design along with top manufacturing quality predestine the cooler for use as a modern complement at home or a bar.



✓ **GREEN LINE** – all models from the SOUDEK 50 series are fully in GREEN LINE design.

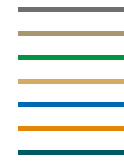
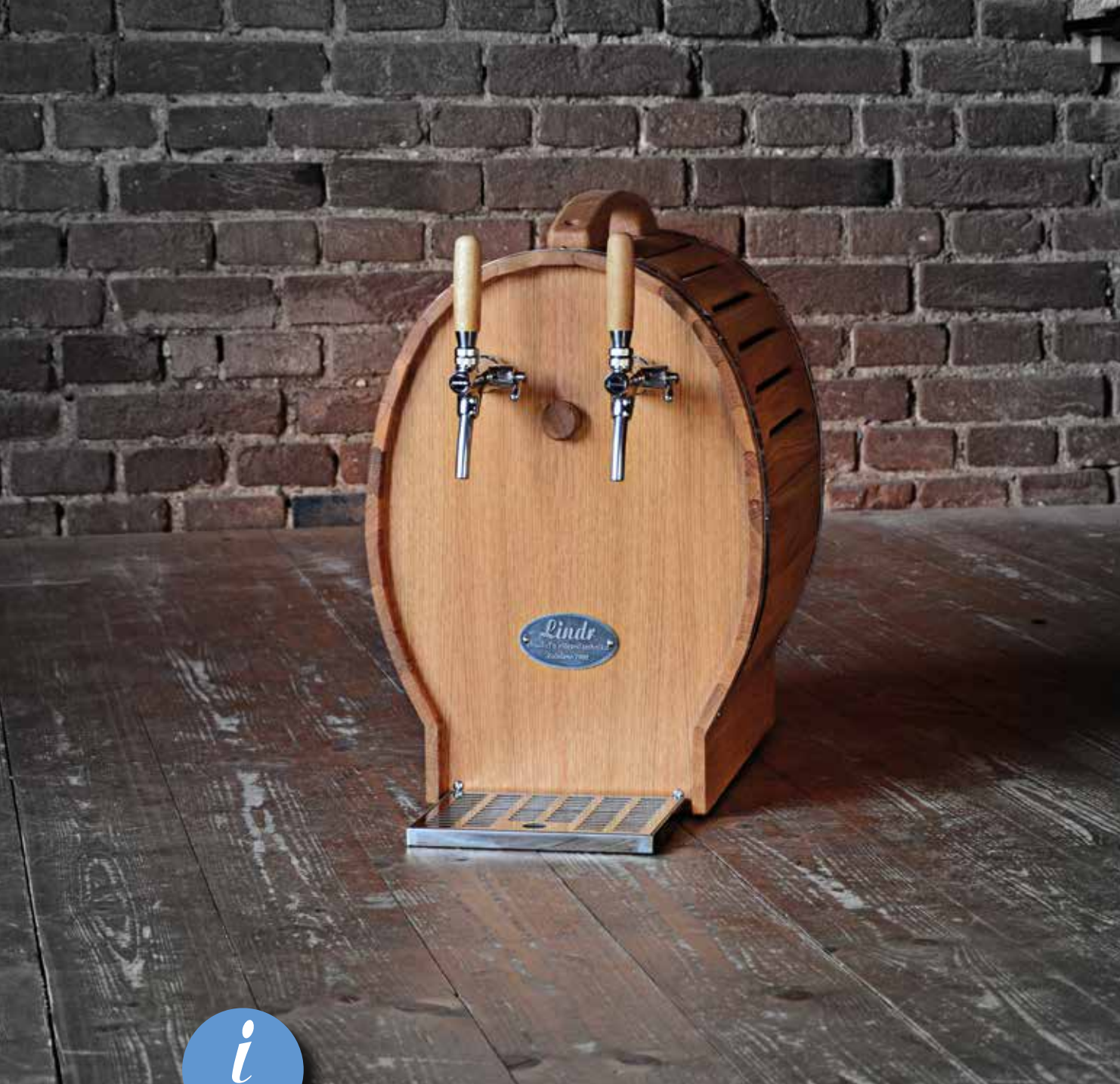
✓ **IMPROVED PERFORMANCE** – SOUDEK 50 dispensing systems boast a continuous output of 40-50 l/h, allowing to serve 80-100 perfectly chilled beverages in an hour.

✓ **KEG PRESSURISATION** – SOUDEK 50/K MODELS are equipped with a unique system of a built-in, silent, high-quality air compressor fitted with a noise dampener and a molecule filter for incoming air.

✓ **DESIGN** – luxurious and elegant look of oak wood combined with stainless accessories.

✓ **COMFORTABLY PORTABLE** – easy and safe handling thanks to the system's small size.

✓ **EQUIPMENT** – thermostat allowing smooth and precise regulation of beverage temperature, dispensing tap, tap wrench, drip tray and speedfit fittings for easy connection.



BENEFIT AND FUNCTIONAL CHARACTERISTICS OF LINDR DELUXE DISPENSING SYSTEMS:

GREEN LINE – LINDR GREEN LINE technology is environmentally friendly thanks to the use of eco-friendly refrigerant R-290. We have introduced an energy saving system in the production. Thanks to this design, each product achieves **20% higher energy efficiency and 20% lower energy consumption.**

LINDR THERMAL BLOCK – the compressor cooling unit uses the power input for direct transfer to chilling, which guarantees minimum energy usage. Perfectly chilled beer is ready within a few minutes after switching the cooler on.

LINDR COOLING TECHNOLOGY – always more powerful than its electric input power.

PERFORMANCE, QUALITY, SIZE – the best performance/ quality/ size ratio.

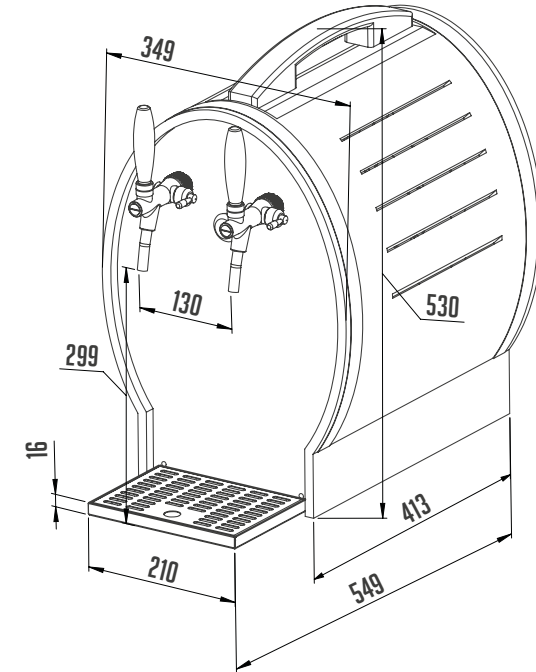
| AIR COMPRESSOR






The SOUDEK 50/K cooler is fitted with a unique system of a built-in, silent, high-quality air compressor fitted with a noise dampener and a molecule filter for incoming air. The air system is fully automated and set to an operating pressure of 2.8 - 3.2 bar.



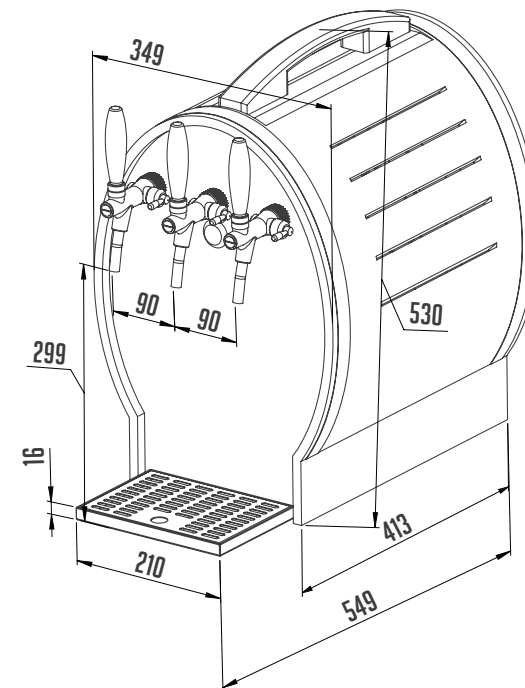
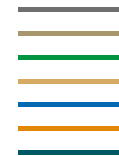
SOUDEK 50, 50/K GREEN LINE

CZECH UP YOUR BEER
COOLING AND DISPENSING SYSTEMS



 MODEL	 COOLING CAPACITY	 AIR COMPRESSOR	 NUMBER OF COOLED BEVERAGES	 NET WEIGHT
SOUDEK 50 GL	50 L/HOUR	NO	2	31,0
SOUDEK 50/K GL	50 L/HOUR	YES	2	33,5

SOUDEK 50, 50/K 3x Tap GREEN LINE



MODEL	COOLING CAPACITY	AIR COMPRESSOR	NUMBER OF COOLED BEVERAGES	NET WEIGHT
SOUDEK 50 3x Tap GL	50 L/HOUR	NO	2+1	31,0
SOUDEK 50/K 3x Tap GL	50 L/HOUR	YES	2+1	33,5



CZECH UP YOUR BEER

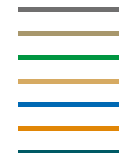
COOLING AND DISPENSING SYSTEMS

SOUDEK 50, 50/K 3 TAP GREEN LINE

Coolers from the SOUDEK 50 series also come in a three tap design. These can be used to dispense two types of chilled beverages and one unchilled beverage. In addition, these models are equipped with fully stainless steel taps.



TECHNICAL PARAMETERS



PRODUCT MODEL	SOUDEK 50 GL	SOUDEK 50/K GL	SOUDEK 50 3x Tap GL	SOUDEK 50/K 3x Tap GL
COOLING POWER OF THE COMPRESSOR (HP)	1/5	1/5	1/5	1/5
COOLING POWER OF THE COMPRESSOR (W)	510	510	510	510
MAXIMUM COOLING CAPACITY TO 0°C / TK 45°C (L/HOUR)	50	50	50	50
CONTINUOUS COOLING PERFORMANCE (L/HOUR)	40	40	40	40
THERMAL GRADIENT ΔT (°C)	10	10	10	10
AIR COMPRESSOR (BAR)	NO	YES, AUTOMATIC 2,8-3,2	NO	YES, AUTOMATIC 2,8-3,2
NUMBER OF TAPS (PCS)	2	2	2+1 AMBIENT	2+1 AMBIENT
NUMBER/ LENGHT OF COOLING COILS (M)	2/ 16,5	2/ 16,5	2/ 16,5	2/ 16,5
POWER (W)	322	437	322	437
AMPERAGE (A)	1,40	1,90	1,40	1,90
NET WEIGHT (KG)	31,0	33,5	31,0	33,5
TYPE OF REFRIGERANT	R290	R290	R290	R290
VOLTAGE	220-240V 50HZ~1	220-240V 50HZ~1	220-240V 50HZ~1	220-240V 50HZ~1
CONNECTION BEER/ AIR - SPEEDFIT FITTINGS	3/8, --/--	3/8, 5/16	3/8, --/--	3/8, 5/16

AVAILABLE CUSTOM MODIFICATION OPTIONS	YES	YES	YES	YES
CHOICE OF TAPS	✓	✓	✓	✓
BEER/ AIR STAINLESS STEEL SCREWING - 6 5/8"	✓	✓	✓	✓
POWER CABLE PLUG	✓	✓	✓	✓
BACKLIT PANEL	X	X	X	X

Note
 Selected models are also available in 115 V/60 Hz or 220 V/60 Hz voltage.
 Other custom modifications are also available (contact us).



CZECH UP YOUR BEER
COOLING AND DISPENSING SYSTEMS

KONTAKT 55 GREEN LINE MODELS

Dispensing system KONTAKT 55, 55/K PROFÍ is a professional cooler for beer which stands out above the other dry contact coolers by its versatility and variability in commercial use, presentation events in breweries and at receptions.



58

✓ **GREEN LINE** – all models from the KONTAKT 55 series are fully in GREEN LINE design.

✓ **IMPROVED PERFORMANCE** – KONTAKT 55 dispensing systems boast a continuous output of 40-50 l/h, allowing to serve 80-100 perfectly chilled beverages an hour.

✓ **KEG PRESSURISATION** – KONTAKT 55/K PROFÍ is equipped with a unique system of a built-in, silent, high-quality air compressor fitted with a noise dampener and a molecule filter for incoming air.

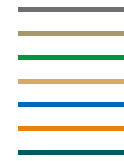
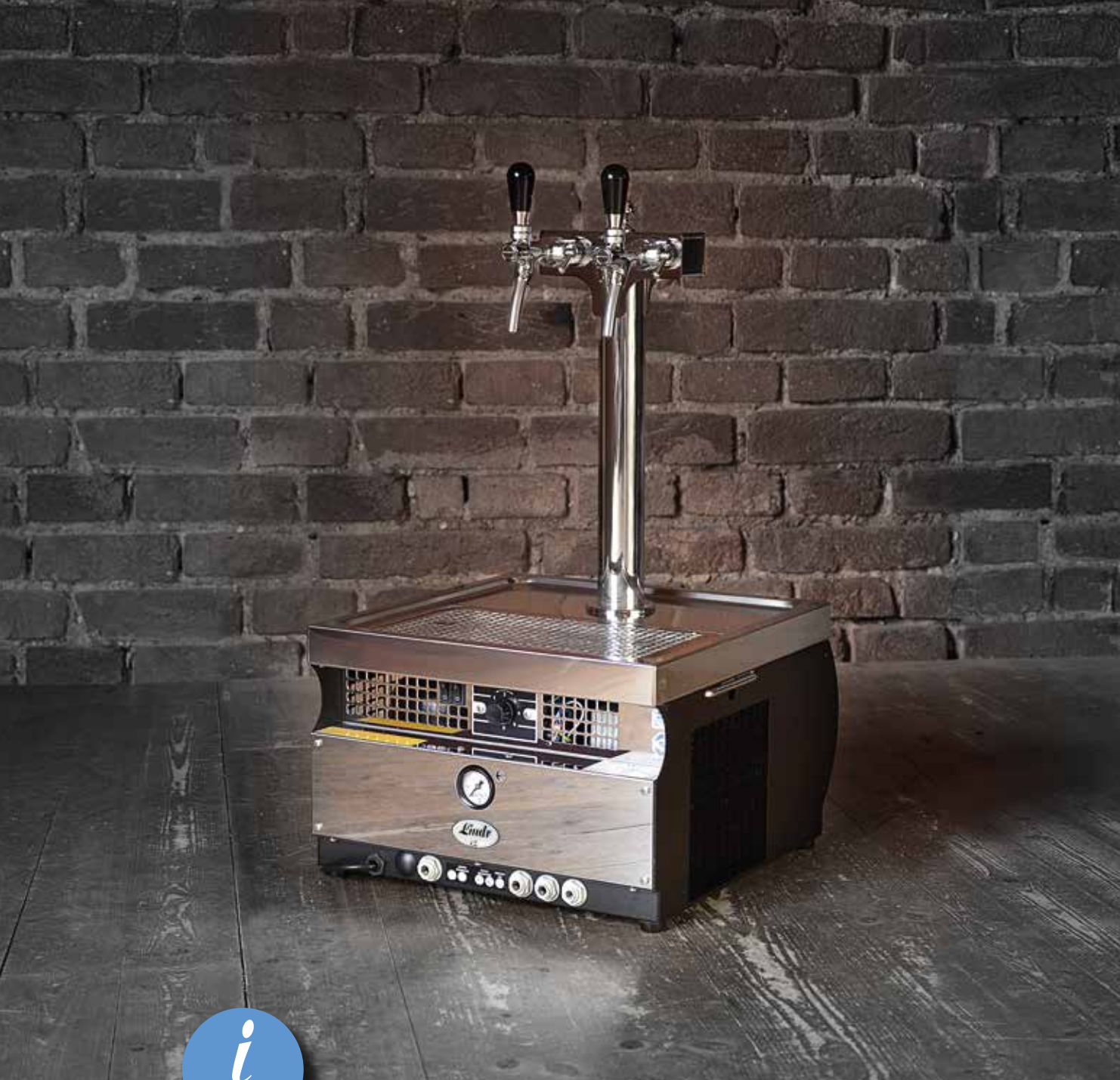
✓ **DESIGN** – unique contact cooling device with a bar tap tower, built-in drip tray

with waste outlet, and control elements facing the operator to enhance the sleek look of the device.

✓ **COMFORTABLY PORTABLE** – easy and safe handling thanks to the system's small size.

✓ **ILLUMINATED ADVERTISEMENT** – full-scale advertisement panel facing the customer allows the user to easily switch and customise motifs.

✓ **EQUIPMENT** – thermostat allowing smooth and precise regulation of beverage temperature, dispensing tap, tap wrench, drip tray and speedfit fittings for easy connection.



BENEFIT AND FUNCTIONAL CHARACTERISTICS OF LINDR DELUXE DISPENSING SYSTEMS:

GREEN LINE – LINDR GREEN LINE technology is environmentally friendly thanks to the use of eco-friendly refrigerant R-290. We have introduced an energy saving system in the production. Thanks to this design, each product achieves **20% higher energy efficiency and 20% lower energy consumption.**

LINDR THERMAL BLOCK – the compressor cooling unit uses the power input for direct transfer to chilling, which guarantees minimum energy usage. Perfectly chilled beer is ready within a few minutes after switching the cooler on.

LINDR COOLING TECHNOLOGY – always more powerful than its electric input power.

PERFORMANCE, QUALITY, SIZE – the best performance/ quality/ size ratio.

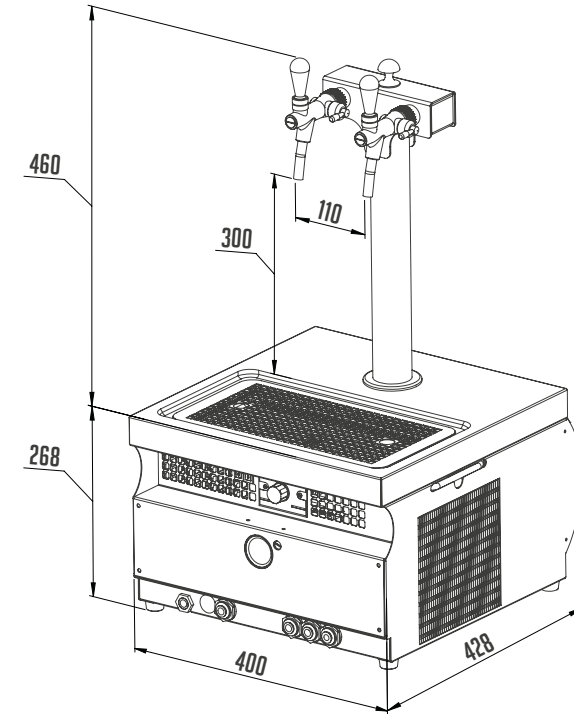
K PROFI – AIR COMPRESSOR, PRESSURE GAUGE WITH PRESSURE REGULATOR

The regulator allows the user to set and accurately adjust the pressure required for a given beverage in a range of 1.0 - 3.6 bar.



KONTAKT 55, 55/K PROFI GREEN LINE

CZECH UP YOUR BEER
COOLING AND DISPENSING SYSTEMS



MODEL



COOLING CAPACITY



AIR COMPRESSOR



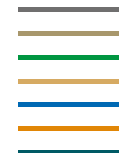
NUMBER OF COOLED BEVERAGES



NET WEIGHT

KONTAKT 55 GL	50 L/HOUR	NO	2	31,0
KONTAKT 55/K PROFI GL	50 L/HOUR	YES, REGULATION	2	33,5

TECHNICAL PARAMETERS



PRODUCT MODEL	KONTAKT 55 GL	KONTAKT 55/K PROFI GL
COOLING POWER OF THE COMPRESSOR (HP)	1/5	1/5
COOLING POWER OF THE COMPRESSOR (W)	510	510
MAXIMUM COOLING CAPACITY TO 0°C / TK 45°C (L/HOUR)	50	50
CONTINUOUS COOLING PERFORMANCE (L/HOUR)	40	40
THERMAL GRADIENT ΔT (°C)	10	10
AIR COMPRESSOR (BAR)	NO	YES, REGULATION 1,0-3,6
NUMBER OF TAPS (PCS)	2	2
NUMBER/ LENGHT OF COOLING COILS (M)	2/ 15,0	2/ 15,0
POWER (W)	322	437
AMPERAGE (A)	1,40	1,90
NET WEIGHT (KG)	31,0	33,5
TYPE OF REFRIGERANT	R290	R290
VOLTAGE	220-240V 50HZ~1	220-240V 50HZ~1
CONNECTION BEER/ AIR - SPEEDFIT FITTINGS	3/8, --/--	3/8, 5/16

AVAILABLE CUSTOM MODIFICATION OPTIONS	YES	YES
CHOICE OF TAPS	✓	✓
BEER/ AIR STAINLESS STEEL SCREWING - 6 5/8"	✓	✓
POWER CABLE PLUG	✓	✓
ADVERTISEMENT PANEL	✓	✓

Note
 Selected models are also available in 115 V/60 Hz or 220 V/60 Hz voltage.
 Other custom modifications are also available (contact us).



CZECH UP YOUR BEER
COOLING AND DISPENSING SYSTEMS

*A leading Czech manufacturer
of cooling and dispensing equipment*

UNDERCOUNTER COOLERS CWP

Undercounter beer coolers are always used in combination with the dispense tower. Beer cooler can be placed under a dispensing bar or anywhere in the bar or restaurant area. The water in these machines helps to transfer the cold on the beer lines and also accumulates the cold.





CWP GREEN LINE MODELS

CZECH UP YOUR BEER
COOLING AND DISPENSING SYSTEMS

CWP GREEN LINE undercounter coolers series are professional devices which stand out from conventional water based coolers not only by their design and manufacturing quality, but also by their ease of installation and high output at small size.

The series includes solutions for fixed installation (under the counter), represented by models CWP 100/ 200/ 300; these are designed primarily for cooling beverages in kegs.



✓ **IMPROVED PERFORMANCE** – MODEL CWP 300 GREEN LINE – Undercounter cooler CWP 300 is a professional device which stands out from conventional water based coolers not only by their design and manufacturing quality, but also by their ease of installation and high output at small size. The model is designed for cooling up to 8 beverages in kegs. It is the most powerful cooler in the CWP series.

✓ **COMFORTABLY PORTABLE** – easy and safe handling thanks to two handles on the top of the device.

✓ **GREEN LINE** – all models from the CWP series are fully in GREEN LINE design.

✓ **DESIGN** – CWP – Contact Water Power – using direct cooling technology in combination with elegant appearance and small size.

✓ **EQUIPMENT** – includes a thermostat allowing smooth and precise temperature regulation, cooling coil and speedfit fittings.



ADVANTAGES AND FUNCTIONAL CHARACTERISTICS OF THE CWP LINDR LINE:

CWP (Contact Water Power) – unique construction of the thermal block that combines the advantages of contact cooler and water based cooler in one. The evaporator is in direct contact with the beverage tubing and is able to respond immediately to increase beverage dispensing rate. The time needed to cool the beverage is only 30-40 minutes from turning the device on.

GREEN LINE – LINDR GREEN LINE technology is environmentally friendly thanks to the use of eco-friendly refrigerant R-290. We have introduced an energy saving system in the production. Thanks to this design, each product achieves **20% higher energy efficiency and 20% lower energy consumption.**

LINDR COOLING TECHNOLOGY – always more powerful than its electric input power.

CONSTRUCTION AND SERVICING – the modern arrangement of LINDR cooling technology ensures ease of access for potential servicing and maintenance.

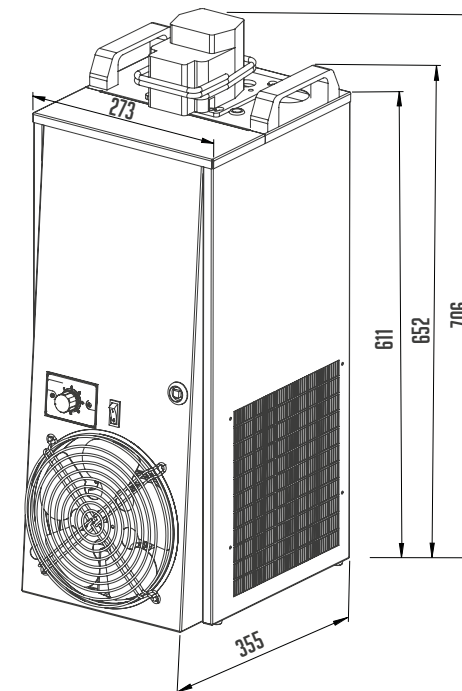
PERFORMANCE, QUALITY, SIZE – the best performance/ quality/ size ratio.

| CWP GREEN LINE

The design of coolers from the CWP series is a complete INNOVATION in the class of undercounter coolers. The beverage is properly and evenly cooled thanks to an innovative direct cooling technology.

CWP 100 GREEN LINE

CZECH UP YOUR BEER
COOLING AND DISPENSING SYSTEMS



MODEL

CWP 100 GL



COOLING
CAPACITY

90
L/HOUR



RECIRCULATION
PUMP

6



NUMBER OF COOLED
BEVERAGES

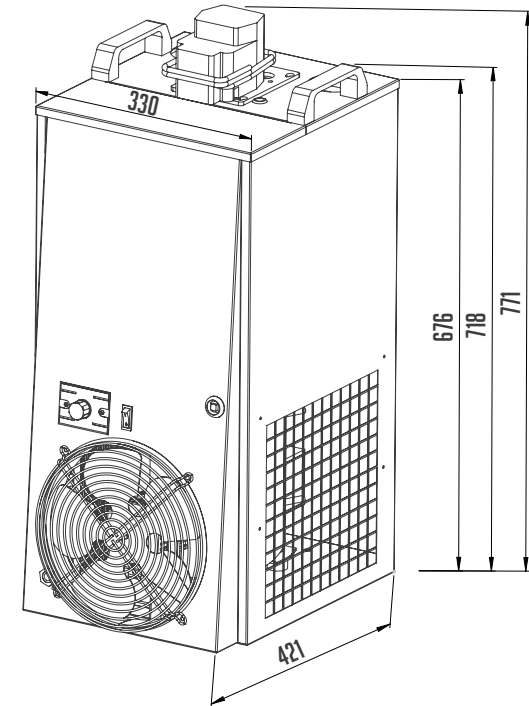
3



NET
WEIGHT

29,0

CWP 200 GREEN LINE



MODEL

CWP 200 GL



COOLING CAPACITY

140 L/HOUR



RECIRCULATION PUMP

6



NUMBER OF COOLED BEVERAGES

4-6

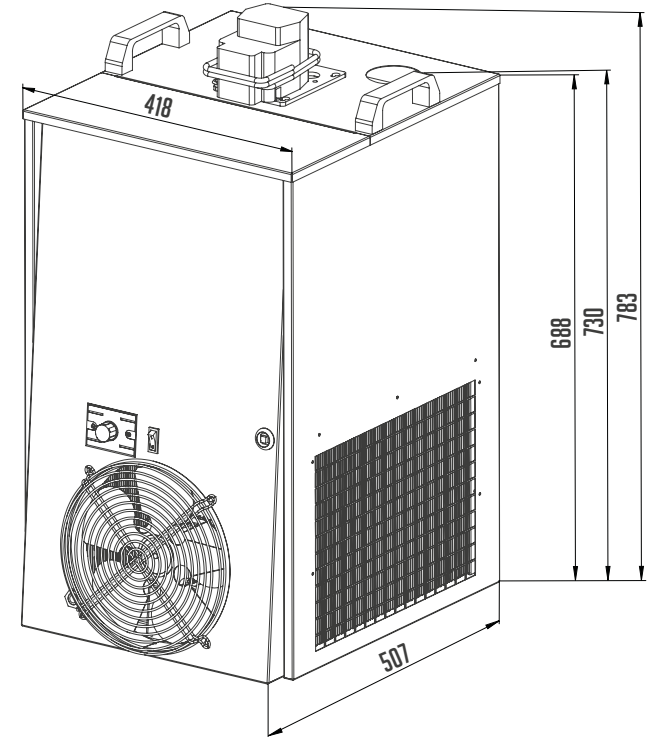


NET WEIGHT

39,5

CWP 300 GREEN LINE

CZECH UP YOUR BEER
COOLING AND DISPENSING SYSTEMS



MODEL

CWP 300 GL



COOLING CAPACITY

200 L/ HOUR



RECIRCULATION PUMP

8



NUMBER OF COOLED BEVERAGES

4-6-8



NET WEIGHT

54,0

TECHNICAL PARAMETERS



PRODUCT MODEL	CWP 100 3x cooling coils GL	CWP 200 4x cooling coils GL	CWP 200 6x cooling coils GL	CWP 300 4x cooling coils GL	CWP 300 6x cooling coils GL	CWP 300 8x cooling coils GL
COOLING POWER OF THE COMPRESSOR (HP)	1/3	3/4	3/4	1	1	1
COOLING POWER OF THE COMPRESSOR (W)	860	1550	1550	2300	2300	2300
MAXIMUM COOLING CAPACITY TO 0°C / TK 45°C (L/HOUR)	90	140	140	200	200	200
CONTINUOUS COOLING PERFORMANCE (L/HOUR)	70	120	120	180	180	180
THERMAL GRADIENT ΔT (°C)	10	10	10	10	10	10
ICE BANK (KG)	0-2	0-5	0-5	0-5	0-5	0-5
DISPLACEMENT OF RECIRCULATION PUMP (M)	6	6	6	8	8	8
NUMBER OF COOLED BEVERAGES (PCS)	3	4	6	4	6	8
NUMBER/ LENGHT OF COOLING COILS (M)	3/ 14	2/ 20, 2/ 10	2/ 20, 4/ 10	4/ 20	4/ 20, 2/ 14,5	4/ 20, 2/ 14,5, 2/ 11
POWER (W)	621	1035	1035	1081	1081	1081
AMPERAGE (A)	2,70	4,50	4,50	4,70	4,70	4,70
NET WEIGHT (KG)	29,0	37,5	39,5	49,0	52,0	54,0
TYPE OF REFRIGERANT	R290	R290	R290	R290	R290	R290
VOLTAGE	220-240V 50HZ~1	220-240V 50HZ~1	220-240V 50HZ~1	220-240V 50HZ~1	220-240V 50HZ~1	220-240V 50HZ~1
CONNECTION BEER/ AIR - SPEEDFIT FITTINGS	3/8, 1/2	3/8, 1/2	3/8, 1/2	3/8, 1/2	3/8, 1/2	3/8, 1/2
AVAILABLE CUSTOM MODIFICATION OPTIONS	YES	YES	YES	YES	YES	YES
POWER CABLE PLUG	✓	✓	✓	✓	✓	✓

Note

Selected models are also available in 115 V/60 Hz or 220 V/60 Hz voltage.
Other custom modifications are also available (contact us).

MOBILE CWP GREEN LINE MODELS

The mobility of models from the CWP MOBIL GREEN LINE series allows the coolers to be fitted with dispense tower with an advertising medallion and drip tray, for use at larger events, fairs, sports events, etc. Model CWP 300 MOBIL is fitted with a drain valve for easy draining of water from the device and with a water gauge for checking the water level.



✓ **KEG PRESSURISATION** - CWP MOBIL 300/K PROFÍ is fitted with a unique system of two built-in, silent, high-quality air compressors with high output. The compressors are fitted with a noise dampener and a molecule filter for intake air and allow individual pressure regulation in 1 – 3.6 bar range.

✓ **DESIGN** - models from the CWP 200/ 300/ 300/K PROFÍ MOBIL GREEN LINE series are fitted with a dispense tower with medallions and backlit panel for advertising.

✓ **GREEN LINE** – all models from the CWP series are fully in GREEN LINE design.

✓ **EQUIPMENT AND MOBILITY** – includes a built-in drip tray with waste outlet and wheels for ease of transport, thermostat allowing smooth and precise temperature regulation, cooling coil and speedfit fittings.



ADVANTAGES AND FUNCTIONAL CHARACTERISTICS OF THE CWP LINDR LINE:

CWP (Contact Water Power) – unique construction of the thermal block that combines the advantages of contact cooler and water based cooler in one. The evaporator is in direct contact with the beverage tubing and is able to respond immediately to increase beverage dispensing rate. The time needed to cool the beverage is only 30-40 minutes from turning the device on.

GREEN LINE – LINDR GREEN LINE technology is environmentally friendly thanks to the use of eco-friendly refrigerant R-290. We have introduced an energy saving system in the production. Thanks to this design, each product achieves **20% higher energy efficiency and 20% lower energy consumption.**

LINDR COOLING TECHNOLOGY – always more powerful than its electric input power.

CONSTRUCTION AND SERVICING – the modern arrangement of LINDR cooling technology ensures ease of access for potential servicing and maintenance.

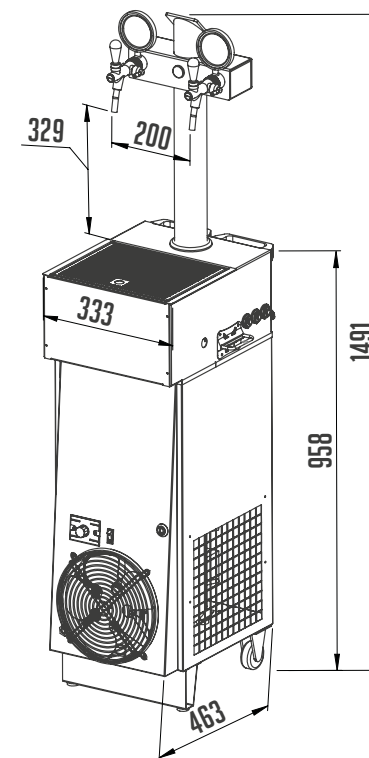
PERFORMANCE, QUALITY, SIZE – the best performance/ quality/ size ratio.

| CWP MOBIL GREEN LINE

The coolers from the CWP Mobil series prepare high-quality and evenly chilled beverages thanks to a design without thermal shock using a sufficiently long stainless coil. Your beverage will be fully chilled within 30-40 minutes from turning on the device. Temperature can be smoothly regulated with immediate impact on the temperature of the dispensed beverage.

CZECH UP YOUR BEER
COOLING AND DISPENSING SYSTEMS

CWP 200 MOBIL GREEN LINE



MODEL

CWP 200 MOBIL
2x Tap **GL**



COOLING
CAPACITY

140
L/ HOUR



RECIRCULATION
PUMP

6



NUMBER OF COOLED
BEVERAGES

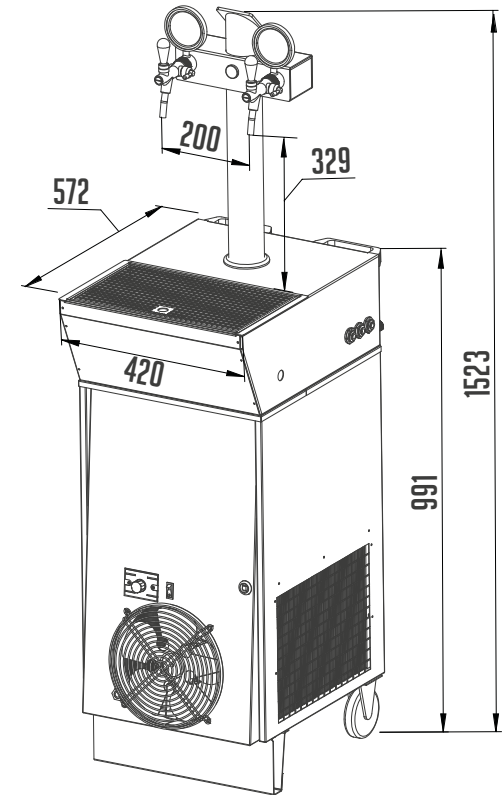
2



NET
WEIGHT

51,0

CWP 300 MOBIL GREEN LINE



MODEL	COOLING CAPACITY	RECIRCULATION PUMP	NUMBER OF COOLED BEVERAGES	NET WEIGHT
CWP 300 MOBIL 2x Tap GL	200 L/ HOUR	6	2	66,0








CWP 300/K PROFI MOBIL GREEN LINE

CZECH UP YOUR BEER
COOLING AND DISPENSING SYSTEMS



74

 MODEL	 COOLING CAPACITY	 RECIRCULATION PUMP	 NUMBER OF COOLED BEVERAGES	 NET WEIGHT
CWP 300/K PROFI MOBIL 2x Tap GL	200 L/ HOUR	6	2	71,0

TECHNICAL PARAMETERS



PRODUCT MODEL	CWP 200 MOBIL 2x Tap GL	CWP 300 MOBIL 2x Tap GL	CWP 300/K PROFI MOBIL 2x Tap GL
COOLING POWER OF THE COMPRESSOR (HP)	3/4	1	1
COOLING POWER OF THE COMPRESSOR (W)	1550	2300	2300
MAXIMUM COOLING CAPACITY TO 0°C / TK 45°C (L/HOUR)	140	200	200
CONTINUOUS COOLING PERFORMANCE (L/HOUR)	120	180	180
THERMAL GRADIENT ΔT (°C)	10	10	10
ICE BANK (KG)	0-5	0-5	0-5
DISPLACEMENT OF RECIRCULATION PUMP (M)	6	6	6
AIR COMPRESSOR (BAR)	-	-	YES, REGULATION 1,0-3,6
NUMBER OF COOLED BEVERAGES (PCS)	2	2	2
NUMBER/ LENGHT OF COOLING COILS (M)	2/ 20	2/ 40	2/ 40
POWER (W)	1035	1081	1311
AMPERAGE (A)	4,50	4,70	5,70
NET WEIGHT (KG)	51,0	66,0	71,0
TYPE OF REFRIGERANT	R290	R290	R290
VOLTAGE	220-240V 50HZ~1	220-240V 50HZ~1	220-240V 50HZ~1
CONNECTION BEER/ AIR - SPEEDFIT FITTINGS	3/8, --/--	3/8, --/--	3/8, 5/16
AVAILABLE CUSTOM MODIFICATION OPTIONS	YES	YES	YES
CHOICE OF TAPS	✓	✓	✓
CHOICE OF DISPENSING TOWER	✓	✓	✓
POWER CABLE PLUG	✓	✓	✓

Note

Selected models are also available in 115 V/60 Hz or 220 V/60 Hz voltage.
Other custom modifications are also available (contact us).

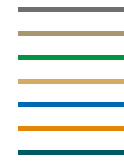
CWP 300 4 PUMPS GREEN LINE MODELS

The unit is fitted with a digital thermostat used for supplemental cooling of twin-walled tanks or for controlled fermentation and chilling of wines in wine-making. The models are fitted with a drain valve for easy draining of water from the device and with a water gauge for checking the water level.



- ✓ **COOLING FOR UP TO 4 TANKS** – used for independent cooling of up to 4 twin-walled tanks or 4 heat exchangers via independent NRG pumps with high displacement of 12 m and with separate individual switches.
- ✓ **WINE FERMENTATION AND CHILLING** – possibility of use also for controlled fermentation of wine (*technology chills the juice to the required temperature*) or for freezing wines (*precipitation and sedimentation of proteins and tartar*).

- ✓ **HIGH OUTPUT** – cooling power of CWP 300 at TK 45°C / TO -5°C of 1,900 (W).
- ✓ **HANDLING** – the units are fitted with 4 wheels for easier handling.
- ✓ **TEMPERATURE REGULATION** – smooth regulation via a digital thermostat with temperature range of -6 to +40°C.



ADVANTAGES AND FUNCTIONAL CHARACTERISTICS OF THE CWP LINDR LINE:

GREEN LINE – LINDR GREEN LINE technology is environmentally friendly thanks to the use of eco-friendly refrigerant R-290. We have introduced an energy saving system in the production. Thanks to this design, each product achieves **20% higher energy efficiency and 20% lower energy consumption.**

LINDR COOLING TECHNOLOGY – always more powerful than its electric input power.

CONSTRUCTION AND SERVICING – the modern arrangement of LINDR cooling technology ensures ease of access for potential servicing and maintenance.

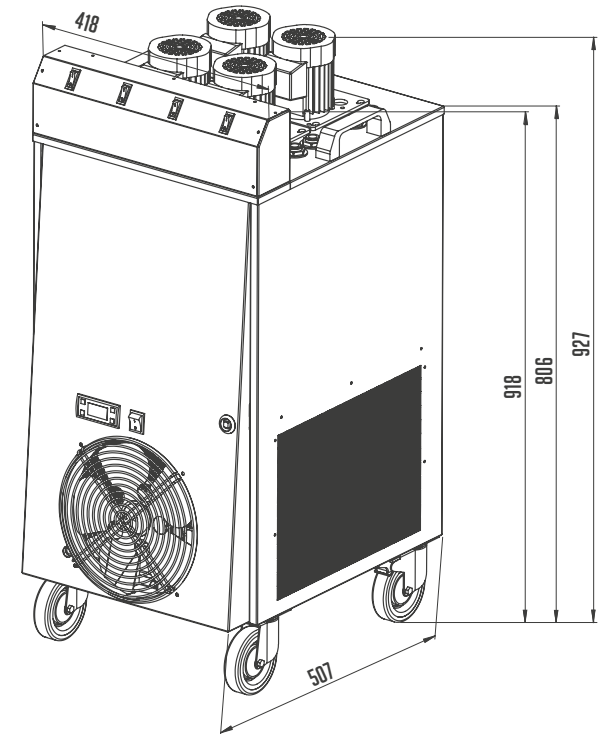
PERFORMANCE, QUALITY, SIZE – the best performance/ quality/ size ratio.





CWP 300 4 PUMPS GREEN LINE

CZECH UP YOUR BEER
COOLING AND DISPENSING SYSTEMS



MODEL

CWP 300 4 PUMPS GL



COOLING CAPACITY

180 L/HOUR



RECIRCULATION PUMP

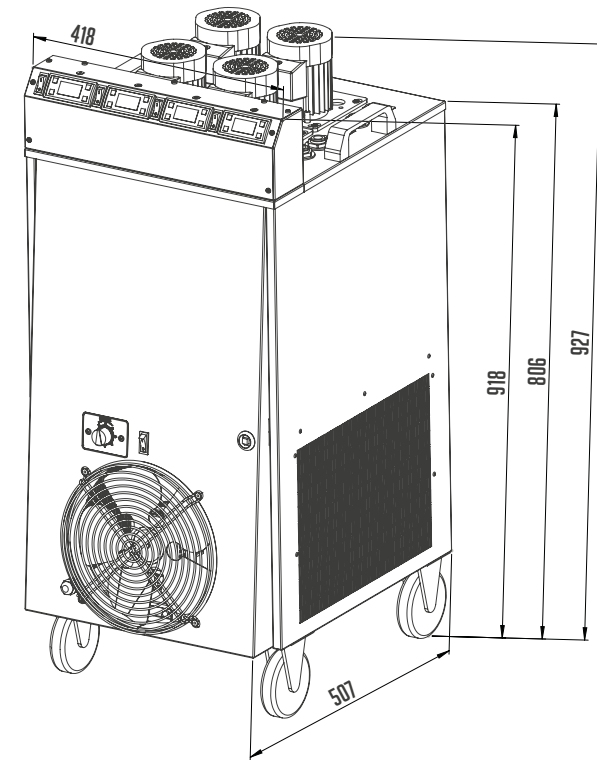
12



NET WEIGHT

53,5

CWP 300 4 PUMPS GREEN LINE WITH DIGITAL THERMOSTATS



MODEL

CWP 300 4 PUMPY GL
with digital thermostats



COOLING CAPACITY

180
L/HOUR



RECIRCULATION PUMP

12



NET WEIGHT

54,5



CZECH UP YOUR BEER

COOLING AND DISPENSING SYSTEMS

CWP 300 4 PUMPS GREEN LINE


The device is fitted with four powerful stirrers with NRG 12 pump, which are controlled by digital thermostats with 6 m probes for independent cooling of smaller tanks. The device is fitted with couplers directly on the cooler for connecting tubing from the tanks.

TEMPERATURE MONITORING VIA PROBE



TECHNICAL PARAMETERS



PRODUCT MODEL	CWP 300 4 PUMPS GL 	CWP 300 4 PUMPS GL with digital thermostats
COOLING POWER OF THE COMPRESSOR (HP)	1	1
COOLING POWER OF THE COMPRESSOR (W)	2300	2300
MAXIMUM COOLING CAPACITY TO -5°C / TK 45°C (L/HOD)	180	180
ICE BANK (KG)	10-20	10-20
DISPLACEMENT OF RECIRCULATION PUMP (M)	12	12
POWER (W)	1380	1380
AMPERAGE (A)	6,00	6,00
NET WEIGHT (KG)	53,5	54,5
TYPE OF REFRIGERANT	R290	R290
VOLTAGE	220-240V 50HZ~1	220-240V 50HZ~1
CONNECTION OF RECIRCULATION PUMP - SPEEDFIT FITTINGS	1/2	1/2
AVAILABLE CUSTOM MODIFICATION OPTIONS	YES	YES
POWER CABLE PLUG	✓	✓

Note

Selected models are also available in 115 V/60 Hz or 220 V/60 Hz voltage.
Other custom modifications are also available (contact us).

DEVICE FOR CONTROLLED FERMENTATION

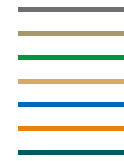
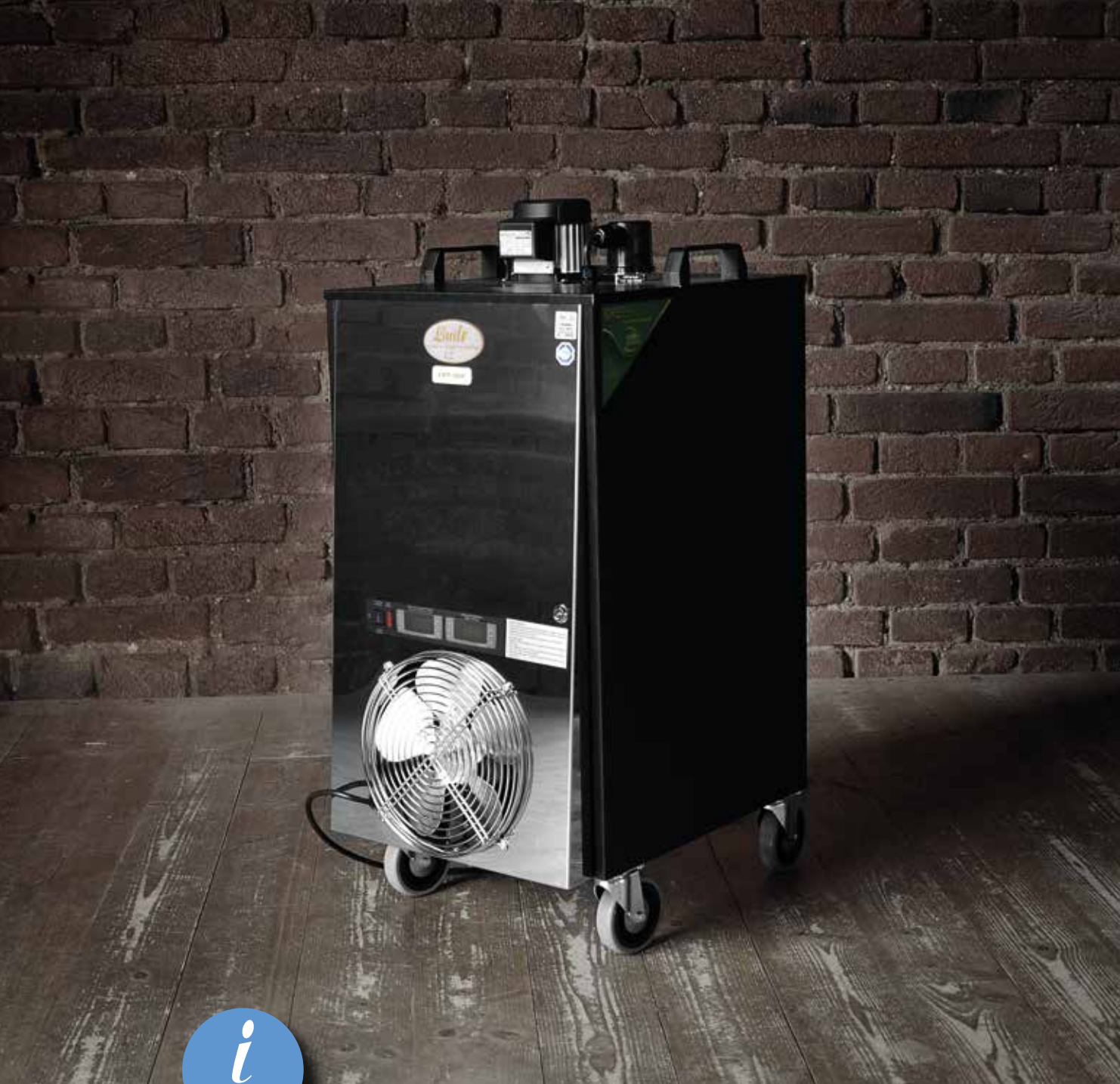
CWP 300 V GREEN LINE is a professional device whose unique structural design is intended for use primarily in winemaking. Aside from cooling, the unit is also fitted with a water heater. The device enables manual switching between cooling and heating. Winemakers use this machine to chill or ferment wine. It can be also used to ferment must. CWP 300 V GREEN LINE is fitted with a drain valve for easy draining of water from the device and with a water gauge for checking the water level.

MODEL CWP 300 V GREEN LINE



- ✓ **GREEN LINE** – all models from the CWP series are fully in GREEN LINE design.
- ✓ **WINE FERMENTATION AND CHILLING** – possibility of use also for controlled fermentation of wine (technology chills the juice to the required temperature) or for freezing wines (precipitation and sedimentation of proteins and tartar).
- ✓ **COOLING/HEATING** – cooling power of CWP 300 V at TK 45°C / TO -5°C of max. 1,900 (W) / heating power of 1,800 (W).

- ✓ **HANDLING** – the units are fitted with 4 wheels for easier handling.
- ✓ **TEMPERATURE REGULATION** – smooth regulation via 2 digital thermostats with temperature range of - 6 to + 40°C.
- ✓ **PROBE** - CWP 300 V is fitted with an external sensor for turning the pump on and off, thus adjusting temperature in the wine tank.



ADVANTAGES AND FUNCTIONAL CHARACTERISTICS OF THE CWP LINDR LINE:

GREEN LINE – LINDR GREEN LINE technology is environmentally friendly thanks to the use of eco-friendly refrigerant R-290. We have introduced an energy saving system in the production. Thanks to this design, each product achieves **20% higher energy efficiency and 20% lower energy consumption.**

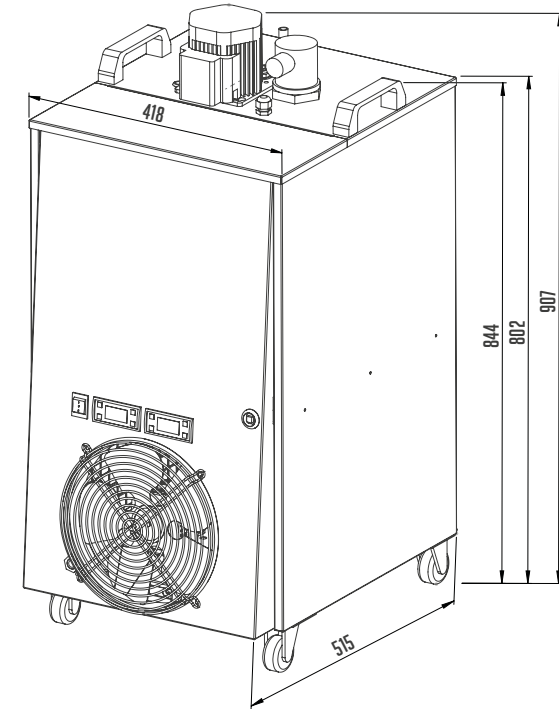
LINDR COOLING TECHNOLOGY – always more powerful than its electric input power. **CONSTRUCTION AND SERVICING** – the modern arrangement of LINDR cooling technology ensures ease of access for potential servicing and maintenance.

PERFORMANCE, QUALITY, SIZE – the best performance/ quality/ size ratio.



CWP 300 V GREEN LINE

CZECH UP YOUR BEER
 COOLING AND DISPENSING SYSTEMS



MODEL

CWP 300 V GL



COOLING CAPACITY

180 L/HOUR



RECIRCULATION PUMP

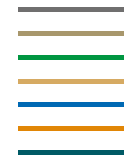
12



NET WEIGHT

41,5

TECHNICAL PARAMETERS



PRODUCT MODEL	CWP 300 V GL
COOLING POWER OF THE COMPRESSOR (HP)	3/4
COOLING POWER OF THE COMPRESSOR (W)	2000
HEATING (W)	1800
CONTINUOUS COOLING PERFORMANCE (L/HOUR)	180
THERMAL GRADIENT ΔT (°C)	10
DISPLACEMENT OF RECIRCULATION PUMP (M)	12
POWER (W)	2162
AMPERAGE (A)	9,40
NET WEIGHT (KG)	41,5
TYPE OF REFRIGERANT	R290
VOLTAGE	220-240V 50HZ~1
CONNECTION OF RECIRCULATION PUMP - SPEEDFIT FITTINGS	1/2
AVAILABLE CUSTOM MODIFICATION OPTIONS	YES

POWER CABLE PLUG



Note
Selected models are also available in 115 V/60 Hz or 220 V/60 Hz voltage.
Other custom modifications are also available (contact us).

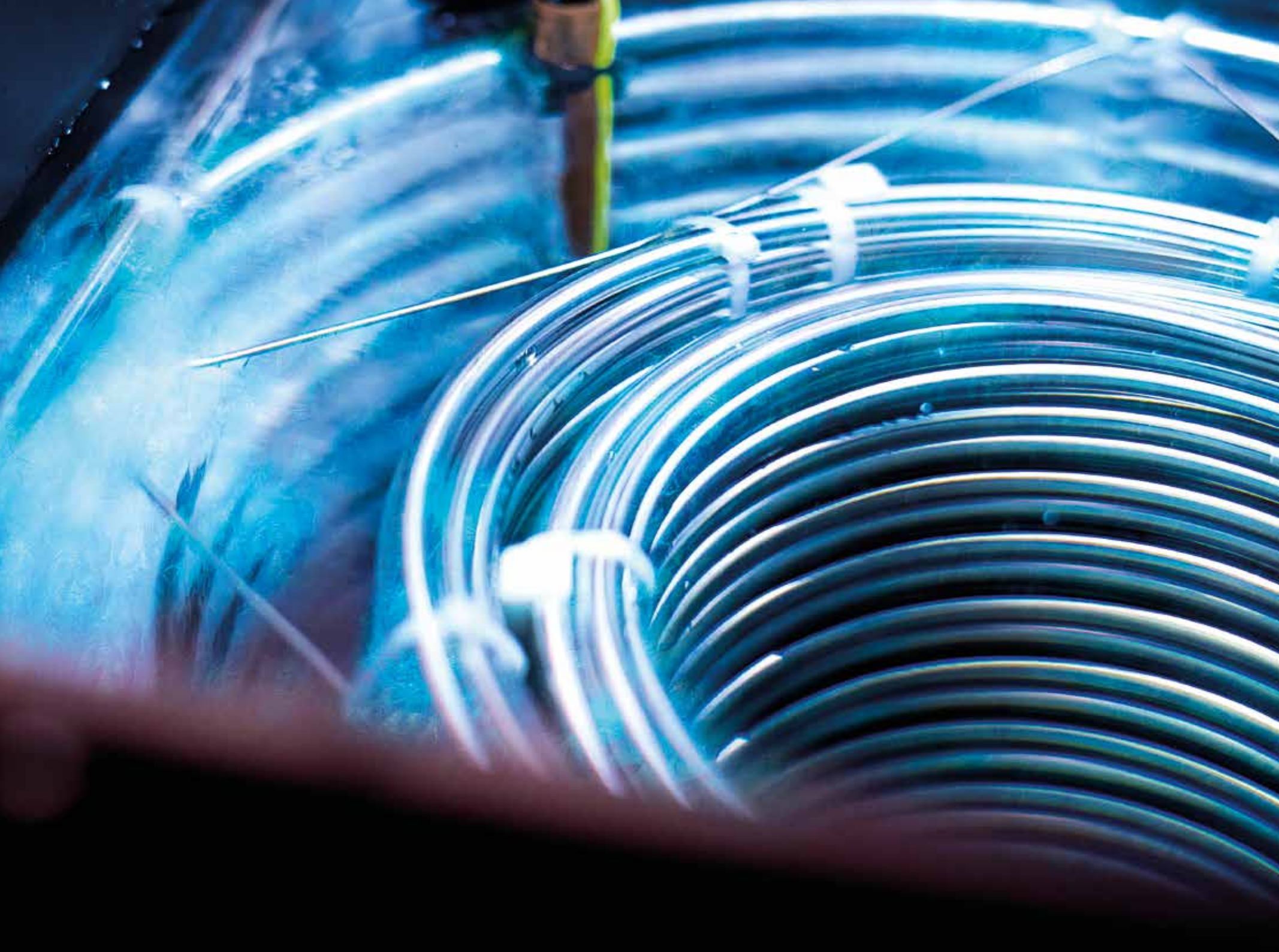


CZECH UP YOUR BEER
COOLING AND DISPENSING SYSTEMS

*A leading Czech manufacturer
of cooling and dispensing equipment*

**WATER COOLERS
WITH ICE BANK - AS**

Undercounter beer coolers are always used in combination with the dispense tower. Beer cooler can be placed under the counter in the bar or restaurant area. The water in these machines helps to transfer the cold in the beer lines and also accumulates the cold.





CZECH UP YOUR BEER
COOLING AND DISPENSING SYSTEMS

AS-40 GREEN LINE MODELS

COOLING OUTPUT OF 25-45 L/HOUR

These undercounter coolers are designed for professional dispensing of beverages in restaurants and bars with lower volume of beverages served. It is fitted with a built-in stirrer which ensures even temperature across the entire water bath. The stirrer can also be modified and used as recirculation pump with 1.2 m displacement.



- ✓ **AS 40-GLYKOL** – this model is fitted with a stirrer with pump and a digital thermostat.
- ✓ **COMFORTABLY PORTABLE** – easy and safe handling thanks to two stainless steel handles on the sides of the device.

- ✓ **GREEN LINE** – all models from the AS series are fully in GREEN LINE design.
- ✓ **EQUIPMENT** – thermostat allowing smooth and precise temperature regulation, cooling coil and speedfit fittings.



ADVANTAGES AND FUNCTIONAL CHARACTERISTICS OF THE AS LINDR LINE:

AS – technology of water cooling with an ice bank. This machine can provide maximum cooling output.

GREEN LINE – LINDR GREEN LINE technology is environmentally friendly thanks to the use of eco-friendly refrigerant R-290. We have introduced an energy saving system in the production. Thanks to this design, each product achieves **20% higher energy efficiency and 20% lower energy consumption.**

LINDR COOLING TECHNOLOGY – always more powerful than its electric input power.

CONSTRUCTION AND SERVICING – the modern arrangement of LINDR cooling technology ensures ease of access for potential servicing and maintenance.

PERFORMANCE, QUALITY, SIZE – the best performance/ quality/ size ratio.

AS-40 GLYCOL COOLER

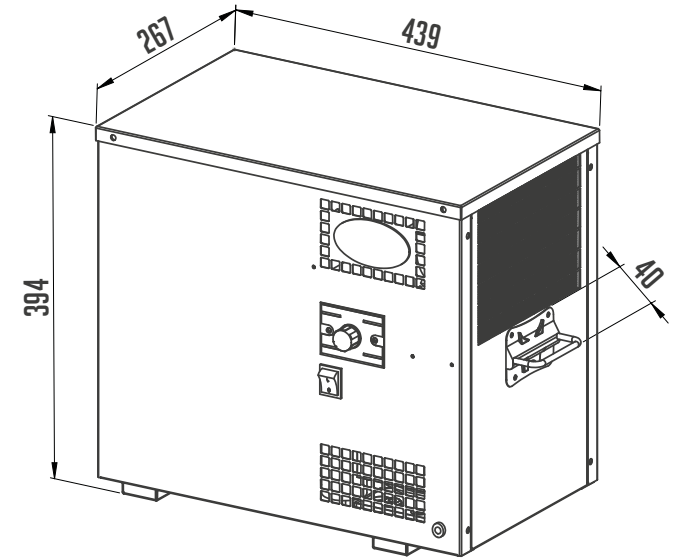
AS 40 - GLYCOL is a cooler suitable for providing supplemental cooling to special dispense towers and beer tanks using glycol.










AS-40 GREEN LINE

CZECH UP YOUR BEER
COOLING AND DISPENSING SYSTEMS



90



 MODEL	 COOLING CAPACITY	 RECIRCULATION PUMP	 NUMBER OF COOLED BEVERAGES	 NET WEIGHT
AS-40 GL	45 L/HOUR	1,2	2	18,0
AS-40 GLYKOL GL	45 L/HOUR	6	-	17,0

TECHNICAL PARAMETERS



PRODUCT MODEL	AS-40 GL	AS-40 GLYKOL GL
COOLING POWER OF THE COMPRESSOR (HP)	1/8	1/8
COOLING POWER OF THE COMPRESSOR (W)	310	310
MAXIMUM COOLING CAPACITY TO 0°C / TK 45°C (L/HOUR)	45	45
CONTINUOUS COOLING PERFORMANCE (L/HOUR)	25	25
THERMAL GRADIENT ΔT (°C)	10	10
ICE BANK (KG)	4-8	-
DISPLACEMENT OF RECIRCULATION PUMP (M)	1,2	6
NUMBER OF COOLED BEVERAGES (PCS)	2	-
NUMBER/ LENGHT OF COOLING COILS (M)	2/ 8	-
POWER (W)	322	437
AMPERAGE(A)	1,40	1,90
NET WEIGHT (KG)	18,0	17,0
TYPE OF REFRIGERANT	R290	R290
VOLTAGE	220-240V 50HZ~1	220-240V 50HZ~1
CONNECTION BEER/ AIR - SPEEDFIT FITTINGS	3/8, 1/2	--/, 1/2
AVAILABLE CUSTOM MODIFICATION OPTIONS	YES	YES
POWER CABLE PLUG	✓	✓

Note

Selected models are also available in 115 V/60 Hz or 220 V/60 Hz voltage.
Other custom modifications are also available (contact us).



CZECH UP YOUR BEER
COOLING AND DISPENSING SYSTEMS

MODEL AS-80 GREEN LINE

COOLING OUTPUT OF 45-80 L/HOUR

These undercounter coolers are designed for professional dispensing of beverages in restaurants and bars with lower volume of beverages served. The cooling device is fitted with a pump with 6 m displacement, which allows the cooler to be placed in a cellar and still cool the beverage all the way to the tap.



- ✓ **GREEN LINE** – all models from the AS series are fully in GREEN LINE design.
- ✓ **COMFORTABLY PORTABLE** – easy and safe handling thanks to two stainless steel handles on the sides of the device.

- ✓ **EQUIPMENT** – thermostat, cooling coil, speedfit fittings, stirrer with a pump to ensure even temperature across the entire water bath and proper cooling of the beverage all the way to the tap.



ADVANTAGES AND FUNCTIONAL CHARACTERISTICS OF THE AS LINDR LINE:

AS – technology of water cooling with an ice bank. This machine can provide maximum cooling output.

GREEN LINE – LINDR GREEN LINE technology is environmentally friendly thanks to the use of eco-friendly refrigerant R-290. We have introduced an energy saving system in the production. Thanks to this design, each product achieves **20% higher energy efficiency and 20% lower energy consumption.**

LINDR COOLING TECHNOLOGY – always more powerful than its electric input power.

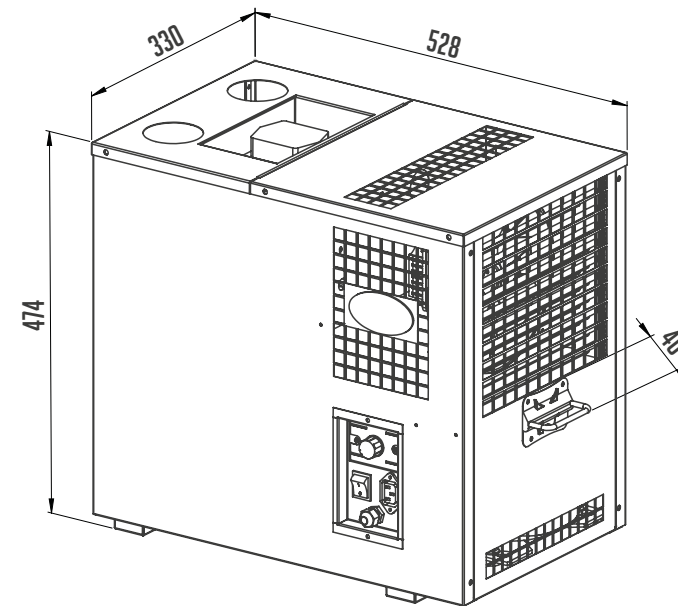
CONSTRUCTION AND SERVICING – the modern arrangement of LINDR cooling technology ensures ease of access for potential servicing and maintenance.

PERFORMANCE, QUALITY, SIZE – the best performance/ quality/ size ratio.



AS-80 GREEN LINE

CZECH UP YOUR BEER
 COOLING AND DISPENSING SYSTEMS



MODEL

AS-80 GL



COOLING CAPACITY

80 L/HOUR



RECIRCULATION PUMP

6



NUMBER OF COOLED BEVERAGES

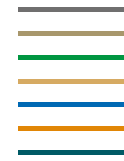
2-4



NET WEIGHT

27,0

TECHNICAL PARAMETERS



PRODUCT MODEL	AS-80 GL 2x cooling coils	AS-80 GL 4x cooling coils
COOLING POWER OF THE COMPRESSOR (HP)	1/4	1/4
COOLING POWER OF THE COMPRESSOR (W)	630	630
MAXIMUM COOLING CAPACITY TO 0°C / TK 45°C (L/HOUR)	80	80
CONTINUOUS COOLING PERFORMANCE (L/HOUR)	45	45
THERMAL GRADIENT ΔT (°C)	10	10
ICE BANK (KG)	5-10	5-10
DISPLACEMENT OF RECIRCULATION PUMP (M)	6	6
NUMBER OF COOLED BEVERAGES (PCS)	2	4
NUMBER/ LENGHT OF COOLING COILS (M)	2/ 11	2/ 11, 2/ 8
POWER (W)	506	506
AMPERAGE (A)	2,20	2,20
NET WEIGHT (KG)	26,0	27,0
TYPE OF REFRIGERANT	R290	R290
VOLTAGE	220-240V 50HZ~1	220-240V 50HZ~1
CONNECTION BEER/ AIR - SPEEDFIT FITTINGS	3/8, 1/2	3/8, 1/2
AVAILABLE CUSTOM MODIFICATION OPTIONS	YES	YES
POWER CABLE PLUG	✓	✓

Note

Selected models are also available in 115 V/60 Hz or 220 V/60 Hz voltage.
Other custom modifications are also available (contact us).



CZECH UP YOUR BEER
COOLING AND DISPENSING SYSTEMS

MODEL AS-110 GREEN LINE

COOLING OUTPUT OF 60-110 L/HOUR



MODEL AS-110 INOX TROPICAL GREEN LINE

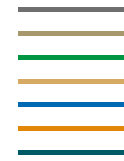
COOLING OUTPUT OF 60-110 L/HOUR



These undercounter coolers are designed for professional dispensing of beverages in restaurants and bars. Models from the AS-110 series are fitted with a pump with 6 m displacement, which allows the cooler to be placed in a cellar and still cool the beverage all the way to the tap.

- ✓ **COMFORTABLY PORTABLE** – easy and safe handling thanks to two stainless steel handles on the sides of the device.
- ✓ **TROPICAL CONDITIONS** – AS INOX TROPICAL features a thickened 45 mm insulation, even on the top cover, and is designed for extreme tropical conditions. This device can fully function even at ambient temperatures of up to 45°C.

- ✓ **GREEN LINE** – all models from the AS series are fully in GREEN LINE design.
- ✓ **EQUIPMENT** – thermostat, cooling coil, speedfit fittings, stirrer with a pump to ensure even temperature across the entire water bath and proper cooling of the beverage all the way to the tap.



ADVANTAGES AND FUNCTIONAL CHARACTERISTICS OF THE AS LINDR LINE:

AS – technology of water cooling with an ice bank. This machine can provide maximum cooling output.

GREEN LINE – LINDR GREEN LINE technology is environmentally friendly thanks to the use of eco-friendly refrigerant R-290. We have introduced an energy saving system in the production. Thanks to this design, each product achieves **20% higher energy efficiency and 20% lower energy consumption.**

LINDR COOLING TECHNOLOGY – always more powerful than its electric input power.

CONSTRUCTION AND SERVICING – the modern arrangement of LINDR cooling technology ensures ease of access for potential servicing and maintenance.

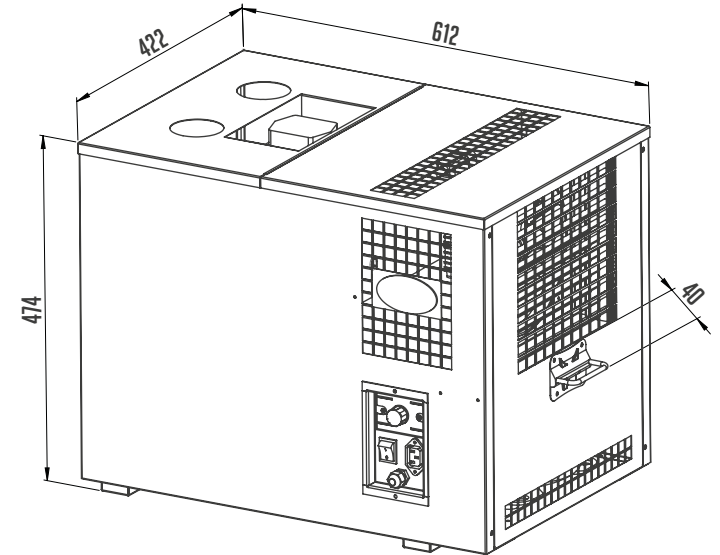
PERFORMANCE, QUALITY, SIZE – the best performance/ quality/ size ratio.





AS-110 GREEN LINE

CZECH UP YOUR BEER
COOLING AND DISPENSING SYSTEMS



MODEL

AS-110 GL



COOLING CAPACITY

110 L/HOUR



RECIRCULATION PUMP

6



NUMBER OF COOLED BEVERAGES

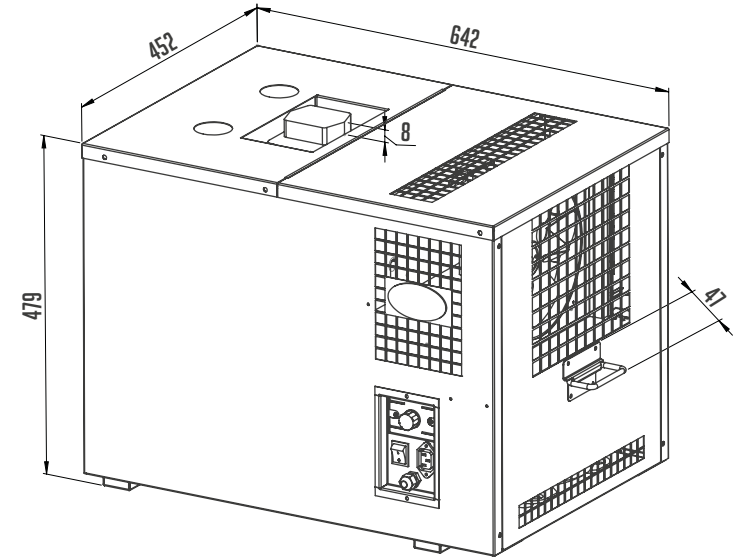
2-6



NET WEIGHT

35,0

AS-110 INOX TROPICAL GREEN LINE



WATER COOLERS WITH ICE BANK - AS

99

MODEL	COOLING CAPACITY	RECIRCULATION PUMP	NUMBER OF COOLED BEVERAGES	NET WEIGHT
AS-110 INOX TROPICAL GL	110 L/HOUR	6	2-6	35,5



CZECH UP YOUR BEER

COOLING AND DISPENSING SYSTEMS

I TROPICAL CONDITIONS

AS INOX TROPICAL features a thickened 45 mm insulation, even on the cover housing, and is designed for extreme tropical conditions. This device can fully function even at ambient temperatures of up to 45°C.

100



TECHNICAL PARAMETERS



PRODUCT MODEL	AS-110 GL 2x cooling coils	AS-110 GL 4x cooling coils	AS-110 GL 6x cooling coils	AS-110 INOX GL 2x cooling coils	AS-110 INOX GL 4x cooling coils	AS-110 INOX GL 6x cooling coils
COOLING POWER OF THE COMPRESSOR (HP)	1/3	1/3	1/3	1/3	1/3	1/3
COOLING POWER OF THE COMPRESSOR (W)	860	860	860	860	860	860
MAXIMUM COOLING CAPACITY TO 0°C / TK 45°C (L/HOUR)	110	110	110	110	110	110
CONTINUOUS COOLING PERFORMANCE (L/HOUR)	60	60	60	60	60	60
THERMAL GRADIENT ΔT (°C)	10	10	10	10	10	10
ICE BANK (KG)	10-20	10-20	10-20	10-20	10-20	10-20
DISPLACEMENT OF RECIRCULATION PUMP (M)	6	6	6	6	6	6
NUMBER OF COOLED BEVERAGES (PCS)	2	4	6	2	4	6
NUMBER/ LENGHT OF COOLING COILS (M)	2/ 14	2/ 14, 2/ 11	2/ 14, 2/ 11, 2/ 8	2/ 14	2/ 14, 2/ 11	2/ 14, 2/ 11, 2/ 8
POWER (W)	621	621	621	621	621	621
AMPERAGE (A)	2,70	2,70	2,70	2,70	2,70	2,70
NET WEIGHT (KG)	31,5	33,5	35,0	32,0	34,0	35,5
TYPE OF REFRIGERANT	R290	R290	R290	R290	R290	R290
VOLTAGE	220-240V 50HZ~1	220-240V 50HZ~1	220-240V 50HZ~1	220-240V 50HZ~1	220-240V 50HZ~1	220-240V 50HZ~1
CONNECTION BEER/ AIR - SPEEDFIT FITTINGS	3/8, 1/2	3/8, 1/2	3/8, 1/2	3/8, 1/2	3/8, 1/2	3/8, 1/2
AVAILABLE CUSTOM MODIFICATION OPTIONS	YES	YES	YES	YES	YES	YES
POWER CABLE PLUG	✓	✓	✓	✓	✓	✓

Note

Selected models are also available in 115 V/60 Hz or 220 V/60 Hz voltage.
Other custom modifications are also available (contact us).



CZECH UP YOUR BEER
COOLING AND DISPENSING SYSTEMS

AS-160/200 GREEN LINE MODELS

COOLING OUTPUT OF 110-160 L/HOUR / 150-200 L/HOUR

MODEL AS-160 INOX TROPICAL GREEN LINE

COOLING OUTPUT OF 110-160 L/HOUR

AS-160/200 coolers are designed for professional dispensing of beverages in restaurants and bars. These coolers have highest output in their class. Models from the AS-160/200 series are fitted with a pump with 8 m displacement, which allows the cooler to be placed in a cellar still cool the beverage all the way to the tap. These models offer the capability to dispense up to 8 types of chilled beverages.



- ✓ **COMFORTABLY PORTABLE** – easy and safe handling thanks to two stainless steel handles on the sides of the device.
- ✓ **TROPICAL CONDITIONS** – AS INOX TROPICAL features a thickened 45 mm insulation, even on the top cover and is designed for extreme tropical conditions. These device can fully function even at ambient temperatures of up to 45°C.

- ✓ **GREEN LINE** – all models from the AS series are fully in GREEN LINE design.
- ✓ **EQUIPMENT** – thermostat, cooling coil, speedfit fittings, stirrer with a pump to ensure even temperature across the entire water bath and proper cooling of the beverage all the way to the tap.



ADVANTAGES AND FUNCTIONAL CHARACTERISTICS OF THE AS LINDR LINE:

AS – technology of water cooling with an ice bank. This machine can provide maximum cooling output.

GREEN LINE – LINDR GREEN LINE technology is environmentally friendly thanks to the use of eco-friendly refrigerant R-290. We have introduced an energy saving system in the production. Thanks to this design, each product achieves **20% higher energy efficiency and 20% lower energy consumption.**

LINDR COOLING TECHNOLOGY – always more powerful than its electric input power.

CONSTRUCTION AND SERVICING – the modern arrangement of LINDR cooling technology ensures ease of access for potential servicing and maintenance.

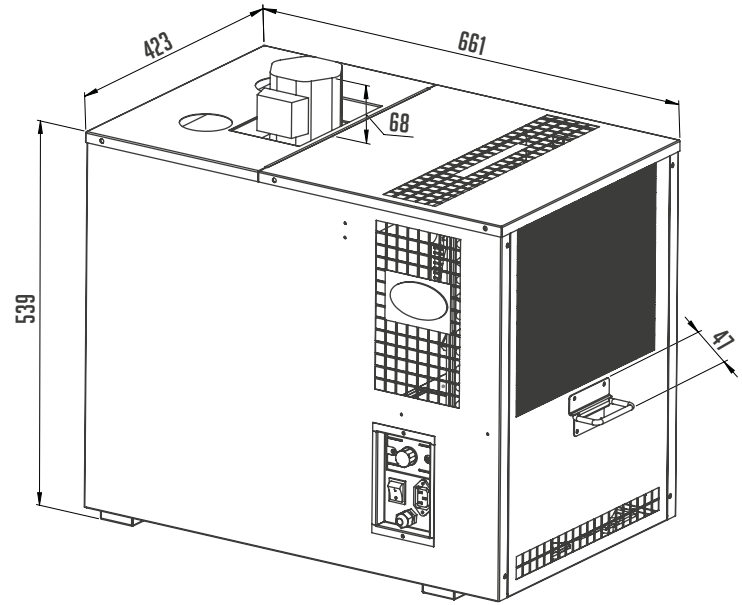
PERFORMANCE, QUALITY, SIZE – the best performance/ quality/ size ratio.










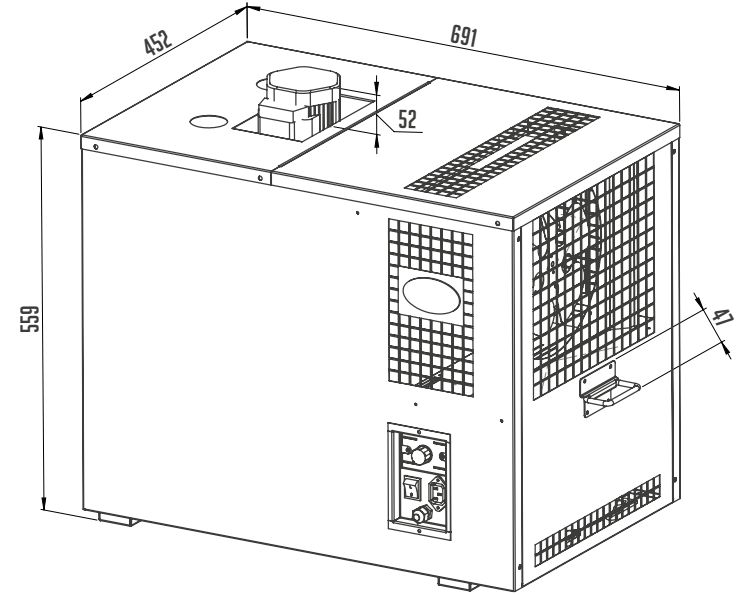
AS-160/200 GREEN LINE

CZECH UP YOUR BEER
COOLING AND DISPENSING SYSTEMS



 MODEL	 COOLING CAPACITY	 RECIRCULATION PUMP	 NUMBER OF COOLED BEVERAGES	 NET WEIGHT
AS-160 GL	160 L/HOUR	8	4-8	43,0
AS-200 GL	200 L/HOUR	8	4-8	45,0

AS-160 INOX TROPICAL GREEN LINE



WATER COOLERS WITH ICE BANK - AS

105

MODEL	COOLING CAPACITY	RECIRCULATION PUMP	NUMBER OF COOLED BEVERAGES	NET WEIGHT
AS-160 INOX TROPICAL GL	160 L/HOUR	8	2-8	47,0



CZECH UP YOUR BEER

COOLING AND DISPENSING SYSTEMS

PRODUCT MODEL	AS-160 GL 4x cooling coils	AS-160 GL 6x cooling coils	AS-160 GL 8x cooling coils	AS-160 INOX GL 4x cooling coils	AS-160 INOX GL 6x cooling coils	AS-160 INOX GL 8x cooling coils
COOLING POWER OF THE COMPRESSOR (HP)	3/4	3/4	3/4	3/4	3/4	3/4
COOLING POWER OF THE COMPRESSOR (W)	1550	1550	1550	1550	1550	1550
MAXIMUM COOLING CAPACITY TO 0°C / TK 45°C (L/HOUR)	160	160	160	160	160	160
CONTINUOUS COOLING PERFORMANCE (L/HOUR)	110	110	110	110	110	110
THERMAL GRADIENT ΔT (°C)	10	10	10	10	10	10
ICE BANK (KG)	10-30	10-30	10-30	10-30	10-30	10-30
DISPLACEMENT OF RECIRCULATION PUMP (M)	8	8	8	8	8	8
NUMBER OF COOLED BEVERAGES (PCS)	4	6	8	4	6	8
NUMBER/ LENGHT OF COOLING COILS (M)	2/ 19, 2/ 14	2/ 19, 2/ 14, 2/ 10	2/ 14, 2/ 10, 4/ 9,5	2/ 19, 2/ 14	2/ 19, 2/ 14, 2/ 10	2/ 14, 2/ 10, 4/ 9,5
POWER (W)	874	874	874	874	874	874
AMPERAGE (A)	3,80	3,80	3,80	3,80	3,80	3,80
NET WEIGHT (KG)	40,5	43,0	43,0	44,5	47,0	47,0
TYPE OF REFRIGERANT	R290	R290	R290	R290	R290	R290
VOLTAGE	220-240V 50HZ~1	220-240V 50HZ~1	220-240V 50HZ~1	220-240V 50HZ~1	220-240V 50HZ~1	220-240V 50HZ~1
CONNECTION BEER/ AIR - SPEEDFIT FITTINGS	3/8, 1/2	3/8, 1/2	3/8, 1/2	3/8, 1/2	3/8, 1/2	3/8, 1/2
AVAILABLE CUSTOM MODIFICATION OPTIONS	YES	YES	YES	YES	YES	YES
POWER CABLE PLUG	✓	✓	✓	✓	✓	✓

Note

Selected models are also available in 115 V/60 Hz or 220 V/60 Hz voltage.
Other custom modifications are also available (contact us).

TECHNICAL PARAMETERS



PRODUCT MODEL	AS-200 GL 4x cooling coils	AS-200 GL 6x cooling coils	AS-200 GL 8x cooling coils
COOLING POWER OF THE COMPRESSOR (HP)	3/4	3/4	3/4
COOLING POWER OF THE COMPRESSOR (W)	2000	2000	2000
MAXIMUM COOLING CAPACITY TO 0°C / TK 45°C (L/HOUR)	200	200	200
CONTINUOUS COOLING PERFORMANCE (L/HOUR)	150	150	150
THERMAL GRADIENT ΔT (°C)	10	10	10
ICE BANK (KG)	10-30	10-30	10-30
DISPLACEMENT OF RECIRCULATION PUMP (M)	8	8	8
NUMBER OF COOLED BEVERAGES (PCS)	4	6	8
NUMBER/ LENGHT OF COOLING COILS (M)	2/ 19, 2/ 14	2/ 19, 2/ 14, 2/ 10	2/ 14, 2/ 10, 4/ 9,5
POWER (W)	782	782	782
AMPERAGE (A)	3,40	3,40	3,40
NET WEIGHT (KG)	42,5	45,0	45,0
TYPE OF REFRIGERANT	R290	R290	R290
VOLTAGE	220-240V 50HZ~1	220-240V 50HZ~1	220-240V 50HZ~1
CONNECTION BEER/ AIR - SPEEDFIT FITTINGS	3/8, 1/2	3/8, 1/2	3/8, 1/2
AVAILABLE CUSTOM MODIFICATION OPTIONS	YES	YES	YES
POWER CABLE PLUG	✓	✓	✓

Note

Selected models are also available in 115 V/60 Hz or 220 V/60 Hz voltage.
Other custom modifications are also available (contact us).



CZECH UP YOUR BEER
COOLING AND DISPENSING SYSTEMS

MODEL AS-45

2x Tap **GREEN LINE**

COOLING OUTPUT OF 25-45 L/HOUR



MODEL AS-110 INOX TROPICAL

3x Tap **GREEN LINE**

COOLING OUTPUT OF 60-110 L/HOUR



These table top, water based coolers are designed for professional dispensing of beverages in restaurants and bars. The coolers are fitted with taps with compensator to regulate the flow rate of the beverage. Cooling coils are submersed in a water bath.

- ✓ **COMFORTABLY PORTABLE** – easy and safe handling thanks to two stainless steel handles on the sides of the device.
- ✓ **TROPICAL CONDITIONS** – AS INOX TROPICAL features a thickened 45 mm insulation, even on the top cover, and is designed for extreme tropical conditions. This device can fully function even at ambient temperatures of up to 45°C.

- ✓ **GREEN LINE** – all models from the AS series are fully in GREEN LINE design.
- ✓ **EQUIPMENT** – thermostat, cooling coil, speedfit fittings, stirrer with a pump to ensure even temperature across the entire water bath and proper cooling of the beverage all the way to the tap.



ADVANTAGES AND FUNCTIONAL CHARACTERISTICS OF THE AS LINDR LINE:

AS – technology of water cooling with an ice bank. This machine can provide maximum cooling output.

GREEN LINE – LINDR GREEN LINE technology is environmentally friendly thanks to the use of eco-friendly refrigerant R-290. We have introduced an energy saving system in the production. Thanks to this design, each product achieves **20% higher energy efficiency and 20% lower energy consumption.**

LINDR COOLING TECHNOLOGY – always more powerful than its electric input power.

CONSTRUCTION AND SERVICING – the modern arrangement of LINDR cooling technology ensures ease of access for potential servicing and maintenance.

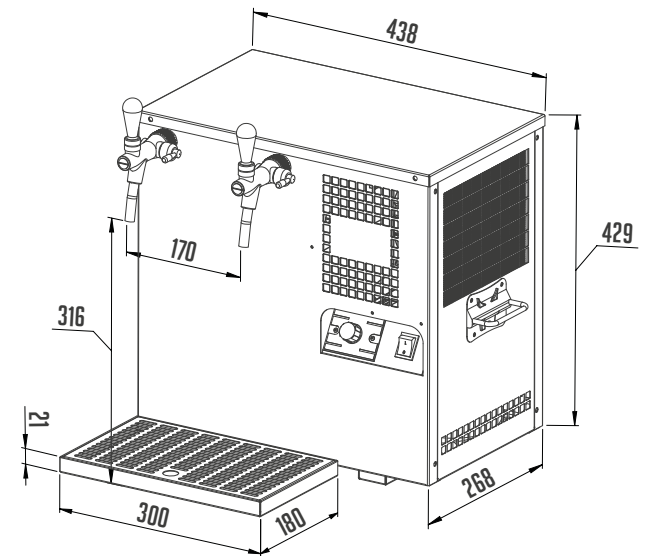
PERFORMANCE, QUALITY, SIZE – the best performance/ quality/ size ratio.





AS-45 2x Tap GREEN LINE

CZECH UP YOUR BEER
COOLING AND DISPENSING SYSTEMS



MODEL

AS-45
2x Tap GL



COOLING
CAPACITY

45
L/ HOUR



NUMBER OF COOLED
BEVERAGES

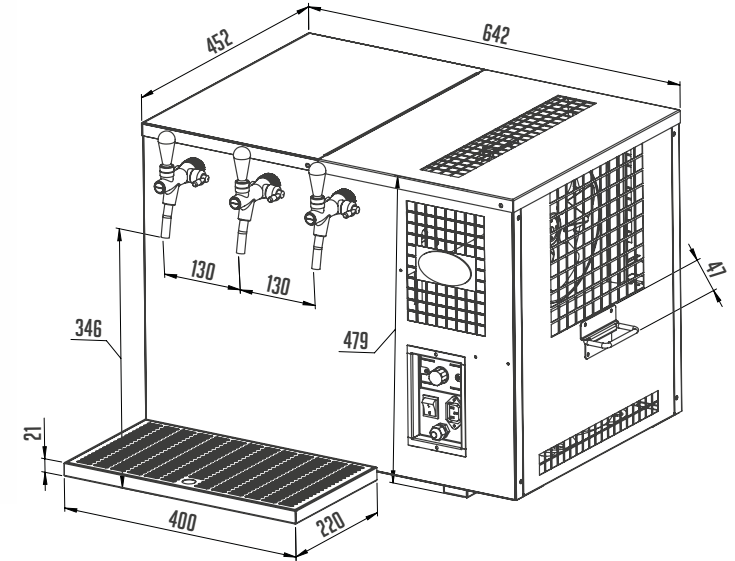
2



NET
WEIGHT

21,0

AS-110 INOX TROPICAL 3x Tap GREEN LINE



WATER COOLERS WITH ICE BANK - AS



MODEL	COOLING CAPACITY	NUMBER OF COOLED BEVERAGES	NET WEIGHT
AS-110 INOX TROPICAL 3x Tap GL	110 L/ HOUR	3	38,0



CZECH UP YOUR BEER

COOLING AND DISPENSING SYSTEMS

I TROPICAL CONDITIONS

AS INOX TROPICAL features a thickened 45 mm insulation, even on the top cover and is designed for extreme tropical conditions. This device can fully function even at ambient temperatures of up to 45°C.

112



TECHNICAL PARAMETERS



PRODUCT MODEL	AS-45 2x Tap GL	AS-110 INOX TROPICAL 3x Tap GL
COOLING POWER OF THE COMPRESSOR (HP)	1/8	1/3
COOLING POWER OF THE COMPRESSOR (W)	310	860
MAXIMUM COOLING CAPACITY TO 0°C / TK 45°C (L/HOUR)	45	110
CONTINUOUS COOLING PERFORMANCE (L/HOUR)	25	60
THERMAL GRADIENT ΔT (°C)	10	10
ICE BANK (KG)	4-8	10-20
NUMBER OF COOLED BEVERAGES (PCS)	2	3
NUMBER/ LENGHT OF COOLING COILS (M)	2/ 8	2/ 14,0, 1/22
POWER (W)	322	529
AMPERAGE (A)	1,40	2,30
NET WEIGHT (KG)	21,0	38,0
TYPE OF REFRIGERANT	R290	R290
VOLTAGE	220-240V 50HZ~1	220-240V 50HZ~1
CONNECTION BEER/ AIR - SPEEDFIT FITTINGS	3/8, --/--	3/8, --/--
AVAILABLE CUSTOM MODIFICATION OPTIONS	YES	YES
CHOICE OF TAPS	✓	✓
BEER/ AIR STAINLESS STEEL SCREWING - 6 5/8"	✓	✓
POWER CABLE PLUG	✓	✓

Note

Selected models are also available in 115 V/60 Hz or 220 V/60 Hz voltage.
Other custom modifications are also available (contact us).



MODEL AS-160 INOX TROPICAL 4x Tap GREEN LINE

COOLING OUTPUT OF 110-160 L/HOUR

CZECH UP YOUR BEER
COOLING AND DISPENSING SYSTEMS

This water based cooling device is designed for professional dispensing of beverages at large events, musical and beer festivals, sports events etc. The unit is designed for placement on a table top. Continuous cooling output of dispensing system AS-160 is 110-160 l/hour, which corresponds to approximately 220-320 chilled drinks. The model features 4 taps and is fully in stainless steel. It is fitted with a drain valve for easy draining of water from the device and with a water gauge for checking the water level.



114

- ✓ **COMFORTABLY PORTABLE** – easy and safe handling thanks to two stainless steel handles on the sides of the device.
- ✓ **TROPICAL CONDITIONS** – AS INOX TROPICAL features a thickened 45 mm insulation, even on the top cover and is designed for extreme tropical conditions. This device can fully function even at ambient temperatures of up to 45°C.

- ✓ **GREEN LINE** – all models from the AS series are fully in GREEN LINE design.
- ✓ **EQUIPMENT** - 4 taps, drip tray, tap wrench, drain valve with water gauge and submersible stirrer which ensures even temperature across the entire water bath. Includes a thermostat, cooling coils and speedfit fittings.



ADVANTAGES AND FUNCTIONAL CHARACTERISTICS OF THE AS LINDR LINE:

AS – technology of water cooling with an ice bank. This machine can provide maximum cooling output.

GREEN LINE – LINDR GREEN LINE technology is environmentally friendly thanks to the use of eco-friendly refrigerant R-290. We have introduced an energy saving system in the production. Thanks to this design, each product achieves **20% higher energy efficiency and 20% lower energy consumption.**

LINDR COOLING TECHNOLOGY – always more powerful than its electric input power.

CONSTRUCTION AND SERVICING – the modern arrangement of LINDR cooling technology ensures ease of access for potential servicing and maintenance.

PERFORMANCE, QUALITY, SIZE – the best performance/ quality/ size ratio.

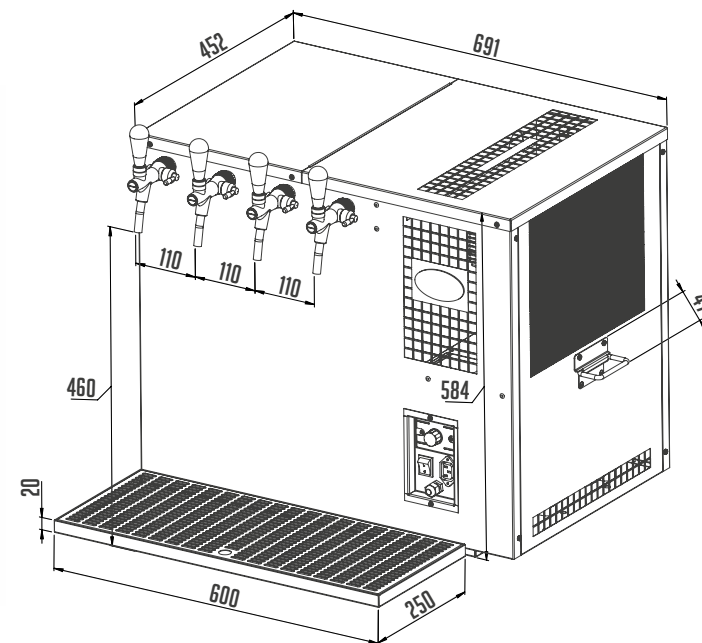
| DRAIN VALVE WITH WATER GAUGE

Allows easily draining water from the device and provides clear indication of water level.



AS-160 INOX TROPICAL 4x Tap GREEN LINE

CZECH UP YOUR BEER
 COOLING AND DISPENSING SYSTEMS

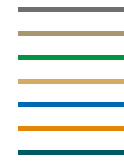


116



MODEL	COOLING CAPACITY	NUMBER OF COOLED BEVERAGES	NET WEIGHT
AS-160 INOX TROPICAL 4x Tap GL	160 L/ HOUR	4	48,0 KG

TECHNICAL PARAMETERS



PRODUCT MODEL	AS-160 INOX TROPICAL 4x Tap GL
COOLING POWER OF THE COMPRESSOR (HP)	3/4
COOLING POWER OF THE COMPRESSOR (W)	1550
MAXIMUM COOLING CAPACITY TO 0°C / TK 45°C (L/HOUR)	160
CONTINUOUS COOLING PERFORMANCE (L/HOUR)	110
THERMAL GRADIENT ΔT (°C)	10
ICE BANK (KG)	10-30
NUMBER OF COOLED BEVERAGES (PCS)	4
NUMBER/ LENGHT OF COOLING COILS (M)	2/ 19, 2/ 14
POWER (W)	874
AMPERAGE (A)	3,80
NET WEIGHT (KG)	48,0
TYPE OF REFRIGERANT	R290
VOLTAGE	220-240V 50HZ~1
CONNECTION BEER/ AIR - SPEEDFIT FITTINGS	3/8, --/--

AVAILABLE CUSTOM MODIFICATION OPTIONS	YES
CHOICE OF TAPS	✓
BEER/ AIR STAINLESS STEEL SCREWING - 6 5/8"	✓
POWER CABLE PLUG	✓

Note
 Selected models are also available in 115 V/60 Hz or 220 V/60 Hz voltage.
 Other custom modifications are also available (contact us).



CZECH UP YOUR BEER
COOLING AND DISPENSING SYSTEMS

*A leading Czech manufacturer
of cooling and dispensing equipment*

**DISPENSE
EQUIPMENT FOR WINE
MAKERS**

Selected range of coolers and other products suitable for winemakers and the winemaking industry. They have a stylish look distinct from beer culture. They also feature components and materials such as stainless steel taps that resist increased aggressiveness of wines.





CZECH UP YOUR BEER
COOLING AND DISPENSING SYSTEMS

MODEL PYGMY EXCLUSIVE

2x Tap

MODEL SOUDEK 50

3x Tap **GREEN LINE**

PYGMY EXCLUSIVE and SOUDEK 50 series dispensing systems are designed for professional cooling, dispensing and serving of perfectly chilled beer and other beverages at home, small garden parties, company celebrations etc. They are the luxurious products among small table-top coolers.



120



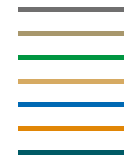
✓ **DESIGN – PYGMY EXCLUSIVE** – luxurious and elegant look with a backlit front panel. **SOUDEK 50 MODELS** – luxurious and elegant look of oak wood combined with stainless accessories.

✓ **KEG PRESSURISATION – PYGMY EXCLUSIVE AND SOUDEK 50/K MODELS** are equipped with a unique system of a built-in, silent, high quality air compressor fitted with a noise dampener and a molecule filter for incoming air.

✓ **INDIVIDUALITY** – backlit front panel of PYGMY EXCLUSIVE allows customisable motifs.

✓ **COMFORTABLY PORTABLE** – easy and safe handling thanks to the small size and handle.

✓ **EQUIPMENT** – thermostat allowing smooth and precise regulation of beverage temperature, dispensing tap, tap wrench, drip tray and speedfit fittings for easy connection.



BENEFITS AND FUNCTIONAL CHARACTERISTICS OF LINDR DELUXE DISPENSING SYSTEMS:

LINDR THERMAL BLOCK – the compressor cooling unit uses the power input for direct transfer to chilling, which guarantees minimum energy usage. Perfectly chilled beer is ready within a few minutes after switching the cooler on.

LINDR COOLING TECHNOLOGY – always more powerful than its electric input power.

STAINLESS CONSTRUCTION – the entire body and the coil of the cooler are made of stainless steel. The materials used meet the strictest hygienic standards and guarantee long service life of the cooler.

PERFORMANCE, QUALITY, SIZE – the best performance/ quality/ size ratio.

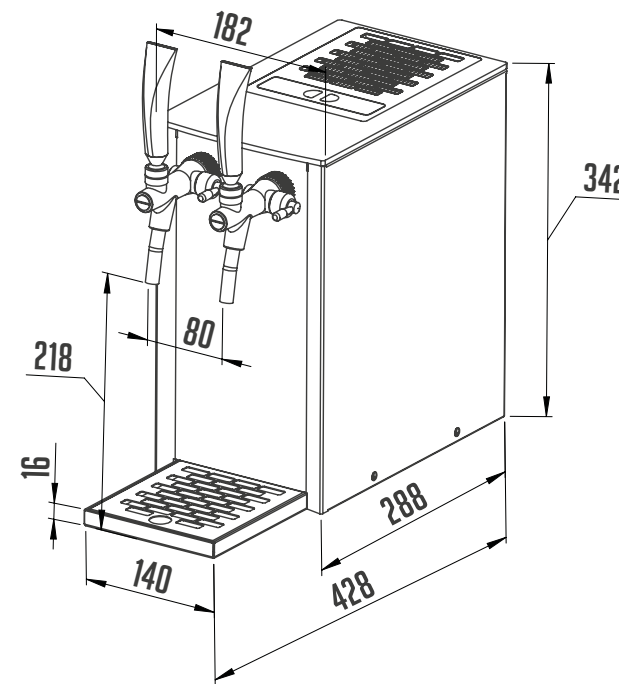
TWO TAPS AND CUSTOMISABILITY

PYGMY EXCLUSIVE is the smallest two-tap cooler in its category on the market and allows the buyer to choose custom motifs for the backlit front panel. A major advantage are 2 stainless steel taps that can be used, for instance, for 2 chilled wines or 1 chilled and 1 unchilled wine.



PYGMY 25/K EXCLUSIVE 2x Tap

CZECH UP YOUR BEER
COOLING AND DISPENSING SYSTEMS



122



MODEL



COOLING CAPACITY



AIR COMPRESSOR



NUMBER OF COOLED BEVERAGES



NET WEIGHT

PYGMY 25/K EXCLUSIVE
2x Tap

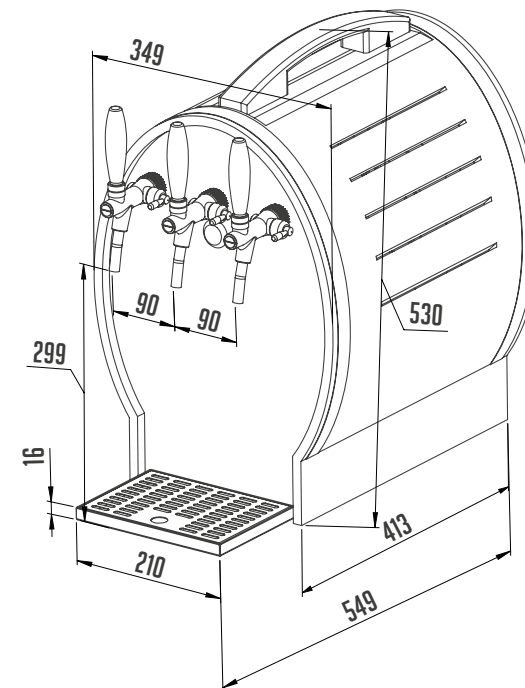
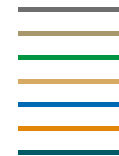
30
L/HOUR

YES

1+1

17,5

SOUDEK 50, 50/K 3x Tap GREEN LINE



DISPENSE EQUIPMENT FOR WINE MAKERS

123

MODEL	COOLING CAPACITY	AIR COMPRESSOR	NUMBER OF COOLED BEVERAGES	NET WEIGHT
SOUDEK 50 3x Tap GL	50 L/HOUR	NO	2+1	31,0
SOUDEK 50/K 3x Tap GL	50 L/HOUR	YES	2+1	33,5



CZECH UP YOUR BEER

COOLING AND DISPENSING SYSTEMS

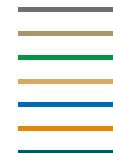
SOUDEK 50, 50/K 3x TAP GREEN LINE MODELS

Coolers from the SOUDEK 50 series also come in a variant with three taps. The user can dispense 2 chilled beverages and 1 unchilled beverage. A perfectly chilled drink is prepared within the thermal block in 5-10 minutes after switching the device on.

124



TECHNICAL PARAMETERS



PRODUCT MODEL	PYGMY 25/K EXCLUSIVE 2x Tap	SOUDEK 50 3x Tap GL	SOUDEK 50/K 3x Tap GL
COOLING POWER OF THE COMPRESSOR (HP)	1/8	1/5	1/5
COOLING POWER OF THE COMPRESSOR (W)	280	510	510
MAXIMUM COOLING CAPACITY TO 0°C / TK 45°C (L/HOUR)	30	50	50
CONTINUOUS COOLING PERFORMANCE (L/HOUR)	25	40	40
THERMAL GRADIENT ΔT (°C)	10	10	10
AIR COMPRESSOR (BAR)	YES, AUTOMATIC 2,8-3,2	NE	YES, AUTOMATIC 2,8-3,2
NUMBER OF TAPS (PCS)	2	2+1 AMBIENT	2+1 AMBIENT
NUMBER/ LENGHT OF COOLING COILS (M)	2/8,0	2/ 16,5	2/ 16,5
POWER (W)	345	322	437
AMPERAGE (A)	1,50	1,40	1,90
NET WEIGHT (KG)	17,5	31,0	33,5
TYPE OF REFRIGERANT	R134A	R290	R290
VOLTAGE	220-240V 50HZ~1	220-240V 50HZ~1	220-240V 50HZ~1
CONNECTION BEER/ AIR - SPEEDFIT FITTINGS	3/8, 5/16	3/8, --/--	3/8, 5/16

AVAILABLE CUSTOM MODIFICATION OPTIONS	YES	YES	YES
CHOICE OF TAPS	✓	✓	✓
BEER/ AIR STAINLESS STEEL SCREWING - 6 5/8"	✓	✓	✓
POWER CABLE PLUG	✓	✓	✓
BACKLIT PANEL	✓	X	X

Note
 Selected models are also available in 115 V/60 Hz or 220 V/60 Hz voltage.
 Other custom modifications are also available (contact us).



CZECH UP YOUR BEER
COOLING AND DISPENSING SYSTEMS

MODEL CWP 300 4 PUMPS GREEN LINE

The unit is fitted with a digital thermostat used for supplemental cooling of twin-walled tanks or for controlled fermentation and chilling of wines in wine-making. The models are fitted with a drain valve for easy draining of water from the device and with a water gauge for checking the water level.

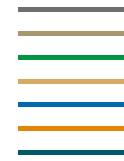


126



- ✓ **COOLING FOR UP TO 4 TANKS** – used for independent cooling of up to 4 twin-walled tanks or 4 heat exchangers via independent NRG pumps with high displacement of 12 m and with separate individual switches.
- ✓ **WINE FERMENTATION AND CHILLING** – possibility of use also for controlled fermentation of wine (*technology chills the juice to the required temperature*) or for freezing wines (*precipitation and sedimentation of proteins and tartar*).

- ✓ **HIGH OUTPUT** – cooling power of CWP 300 at TK 45°C / TO -5°C of 1,900 (W).
- ✓ **HANDLING** – the units are fitted with 4 wheels for easier handling.
- ✓ **TEMPERATURE REGULATION** – smooth regulation via a digital thermostat with temperature range of -6 to +40°C.



ADVANTAGES AND FUNCTIONAL CHARACTERISTICS OF THE CWP LINDR LINE:

GREEN LINE – LINDR GREEN LINE technology is environmentally friendly thanks to the use of eco-friendly refrigerant R-290. We have introduced an energy saving system in the production. Thanks to this design, each product achieves **20% higher energy efficiency and 20% lower energy consumption.**

LINDR COOLING TECHNOLOGY – always more powerful than its electric input power. **CONSTRUCTION AND SERVICING** – the modern arrangement of LINDR cooling technology ensures ease of access for potential servicing and maintenance.

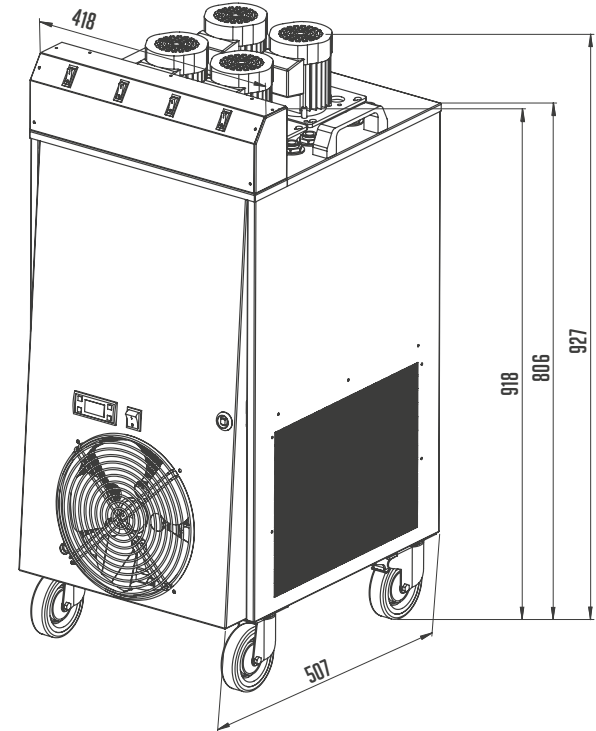
PERFORMANCE, QUALITY, SIZE – the best performance/ quality/ size ratio.





CWP 300 4 PUMPS GREEN LINE

CZECH UP YOUR BEER
COOLING AND DISPENSING SYSTEMS



128



MODEL

CWP 300 4 PUMPS GL



COOLING CAPACITY

180 L/HOUR



RECIRCULATION PUMP

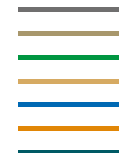
12



NET WEIGHT

53,5

TECHNICAL PARAMETERS



PRODUCT MODEL	CWP 300 4 PUMPS GL
COOLING POWER OF THE COMPRESSOR (HP)	1
COOLING POWER OF THE COMPRESSOR (W)	2300
MAXIMUM COOLING CAPACITY TO -5°C / TK 45°C (L/HOD)	180
ICE BANK (KG)	10-20
DISPLACEMENT OF RECIRCULATION PUMP (M)	12
POWER (W)	1380
AMPERAGE (A)	6,00
NET WEIGHT (KG)	53,5
TYPE OF REFRIGERANT	R290
VOLTAGE	220-240V 50HZ~1
CONNECTION OF RECIRCULATION PUMP - SPEEDFIT FITTINGS	1/2
AVAILABLE CUSTOM MODIFICATION OPTIONS	YES
POWER CABLE PLUG	✓

Note

Selected models are also available in 115 V/60 Hz or 220 V/60 Hz voltage.
Other custom modifications are also available (contact us).

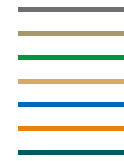
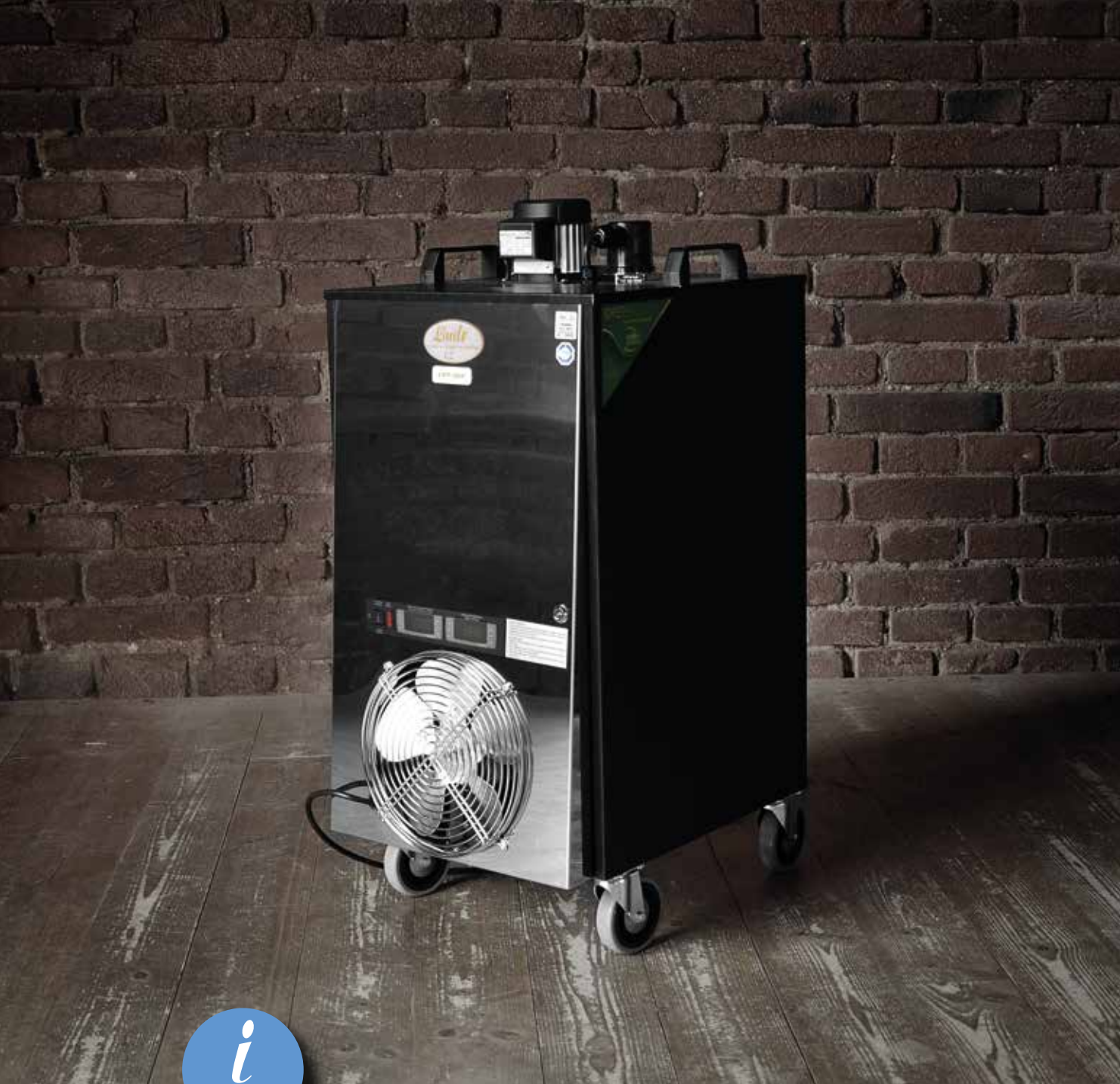
DEVICE FOR CONTROLLED FERMENTATION

CWP 300 V GREEN LINE is a professional device whose unique structural design is intended for use primarily in winemaking. Aside from cooling, the unit is also fitted with a water heater. The device enables manual switching between cooling and heating. Winemakers use this machine to chill or ferment wine. It can be also used to ferment must. CWP 300 V GREEN LINE is fitted with a drain valve for easy draining of water from the device and with a water gauge for checking the water level.

MODEL CWP 300 V GREEN LINE



- ✓ **GREEN LINE** – all models from the CWP series are fully in GREEN LINE design.
- ✓ **WINE FERMENTATION AND CHILLING** – possibility of use also for controlled fermentation of wine (technology chills the juice to the required temperature) or for freezing wines (precipitation and sedimentation of proteins and tartar).
- ✓ **COOLING/HEATING** – cooling power of CWP 300 V at TK 45°C / TO -5°C of max. 1,900 (W) / heating power of 1,800 (W).
- ✓ **HANDLING** – the units are fitted with 4 wheels for easier handling.
- ✓ **TEMPERATURE REGULATION** – smooth regulation via 2 digital thermostats with temperature range of - 6 to + 40°C.
- ✓ **PROBE** - CWP 300 V is fitted with an external sensor for turning the pump on and off, thus adjusting temperature in the wine tank.



ADVANTAGES AND FUNCTIONAL CHARACTERISTICS OF THE CWP LINDR LINE:

GREEN LINE – LINDR GREEN LINE technology is environmentally friendly thanks to the use of eco-friendly refrigerant R-290. We have introduced an energy saving system in the production. Thanks to this design, each product achieves **20% higher energy efficiency and 20% lower energy consumption.**

LINDR COOLING TECHNOLOGY – always more powerful than its electric input power. **CONSTRUCTION AND SERVICING** – the modern arrangement of LINDR cooling technology ensures ease of access for potential servicing and maintenance.

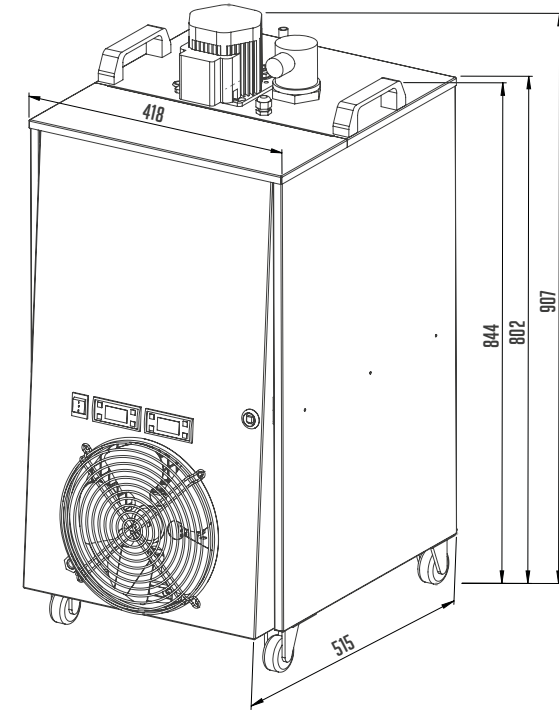
PERFORMANCE, QUALITY, SIZE – the best performance/ quality/ size ratio.





CWP 300 V GREEN LINE

CZECH UP YOUR BEER
COOLING AND DISPENSING SYSTEMS



132



MODEL

CWP 300 V GL



COOLING CAPACITY

180 L/HOUR



RECIRCULATION PUMP

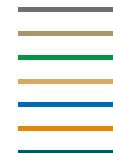
12



NET WEIGHT

41,5

TECHNICAL PARAMETERS



PRODUCT MODEL	CWP 300 V GL
COOLING POWER OF THE COMPRESSOR (HP)	3/4
COOLING POWER OF THE COMPRESSOR (W)	2000
HEATING (W)	1800
CONTINUOUS COOLING PERFORMANCE (L/HOUR)	180
THERMAL GRADIENT ΔT (°C)	10
DISPLACEMENT OF RECIRCULATION PUMP (M)	12
POWER (W)	2162
AMPERAGE (A)	9,40
NET WEIGHT (KG)	41,5
TYPE OF REFRIGERANT	R290
VOLTAGE	220-240V 50HZ~1
CONNECTION OF RECIRCULATION PUMP - SPEEDFIT FITTINGS	1/2
AVAILABLE CUSTOM MODIFICATION OPTIONS	YES
POWER CABLE PLUG	✓

Note
 Selected models are also available in 115 V/60 Hz or 220 V/60 Hz voltage.
 Other custom modifications are also available (contact us).

SOUDEK DISPENSE TOWER

SOUDEK DISPENSE TOWER – exclusive design combining high quality oak wood and stainless steel tower with 1-3 taps.



✓ **NUMBER OF TAPS**

1-2-3

✓ **NUMBER OF TOWERS**

1

✓ **SPECIFICATIONS**

Stainless steel recirculation, 8 mm stainless steel inlet

✓ **ACCESSORY VARIANTS**

Taps – classic

✓ **COLOUR DESIGN**

Stainless steel/oak



KEG BOTTOM

KEG BOTTOM – the taps (1-4) are fitted into an oak keg bottom. Kegs are available in circular or oval shape.

✓ **NUMBER OF TAPS**

1, 2, 3, 4

✓ **SPECIFICATIONS**

oval LINDR keg bottom 40x25 cm
oval LINDR keg bottom 50x35 cm
LINDR keg bottom ø 40 cm
LINDR keg bottom ø 50 cm

✓ **ACCESSORY VARIANTS**

taps – classic/lever

✓ **COLOUR DESIGN**

oak





CZECH UP YOUR BEER
COOLING AND DISPENSING SYSTEMS

*A leading Czech manufacturer
of cooling and dispensing equipment*

SODA COOLERS

Professional equipment designed to produce chilled soda water by mixing water and carbon dioxide. Individual models differ in performance, design and appearance.





CZECH UP YOUR BEER
COOLING AND DISPENSING SYSTEMS

MODEL SODA PYGMY GREEN LINE

COOLING OUTPUT OF UP TO 25 L/HOUR

MODEL SODA AS-45 2x Tap GREEN LINE

COOLING OUTPUT OF 25-45 L/HOUR

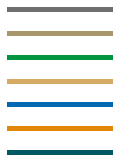
Soda water makers **SODA PYGMY GREEN LINE** and **SODA AS-45 GREEN LINE** are professional devices designed for producing chilled soda water by mixing H₂O and CO₂. They are suitable for households, offices and production facilities.



✓ **GREEN LINE** – SODA PYGMY and SODA AS-45 models come in GREEN LINE design.

✓ **OUTPUT** – SODA PYGMY is capable of producing up to 25 l/hour, while SODA AS-45 offers up to 45 l/hour of perfectly chilled sparkling or still water.

✓ **EQUIPMENT** – Thermostat allowing smooth and precise regulation of beverage temperature, 2 dispensing taps, tap wrench and a drip tray.



ADVANTAGES AND FUNCTIONAL CHARACTERISTICS OF LINDR SODA WATER MAKERS:

GREEN LINE – LINDR GREEN LINE technology is environmentally friendly thanks to the use of eco-friendly refrigerant R-290. We have introduced an energy saving system in the production. Thanks to this design, each product achieves **20% higher energy efficiency and 20% lower energy consumption.**

LINDR COOLING TECHNOLOGY – always more powerful than its electric input power.

STAINLESS CONSTRUCTION – The entire body and the coil of the cooler are made of stainless steel. The materials used meet the strictest hygienic standards and guarantee long service life of the cooler.

PERFORMANCE, QUALITY, SIZE – the best performance/ quality/ size ratio.

| SODA PYGMY GREEN LINE

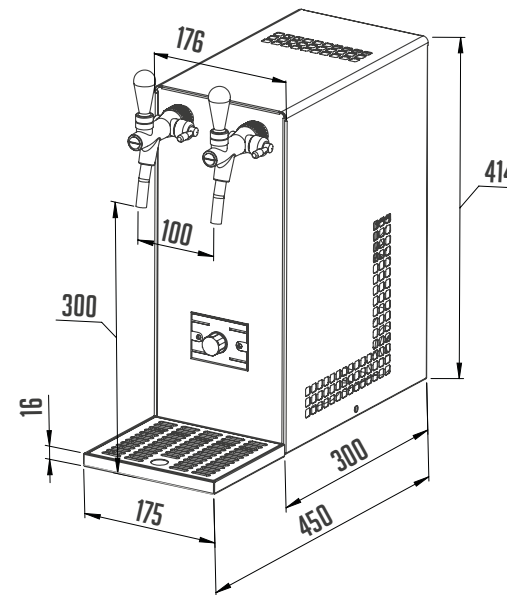
This soda water maker is fitted with taps for easy dispensing of chilled soda water. Stainless drip tray ensures comfortable and hygienic use of the device.





SODA PYGMY GREEN LINE

CZECH UP YOUR BEER
COOLING AND DISPENSING SYSTEMS



MODEL



COOLING CAPACITY



AIR COMPRESSOR



NUMBER OF COOLED BEVERAGES



NET WEIGHT

SODA PYGMY GL

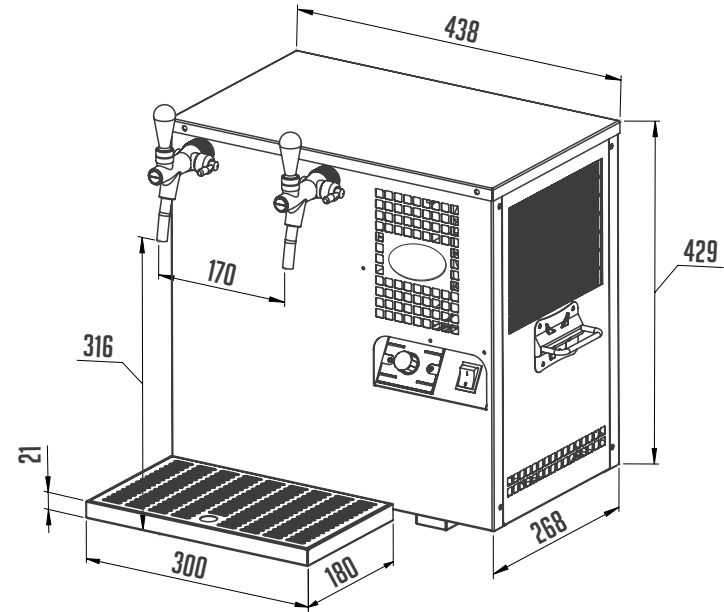
25 L/HOUR

NO

WATER+SODA

19,0

SODA AS-45 2x Tap GREEN LINE



MODEL

SODA AS-45
2x Tap **GL**



COOLING
CAPACITY

45
L/HOUR



AIR
COMPRESSOR

NO



NUMBER OF COOLED
BEVERAGES

WATER+SODA



NET
WEIGHT

24,0



CZECH UP YOUR BEER

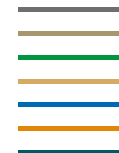
COOLING AND DISPENSING SYSTEMS

| SODA AS-45 GREEN LINE

Soda water maker SODA AS-45 GREEN LINE is a professional device designed for producing cooled soda water by mixing H₂O and CO₂. 25-45 litres of perfectly chilled soda water an hour will fully satisfy the needs of any office, production hall or household. Stainless drip tray ensures comfortable and hygienic use of the device.



TECHNICAL PARAMETERS



PRODUCT MODEL	SODA PYGMY GL	SODA AS-45 2x Tap GL
COOLING POWER OF THE COMPRESSOR (HP)	1/8	1/8
COOLING POWER OF THE COMPRESSOR (W)	310	310
MAXIMUM COOLING CAPACITY TO 0°C / TK 45°C (L/HOUR)	25	45
CONTINUOUS COOLING PERFORMANCE (L/HOUR)	20	25
THERMAL GRADIENT ΔT (°C)	10	10
AIR COMPRESSOR (BAR)	NO	NO
NUMBER OF COOLED BEVERAGES (PCS)	WATER+SODA	WATER+SODA
NUMBER/ LENGHT OF COOLING COILS (M)	1/ 11,0	1/ 7,0
POWER (W)	391	345
AMPERAGE (A)	1,70	1,50
NET WEIGHT (KG)	19,0	24,0
TYPE OF REFRIGERANT	R290	R290
VOLTAGE	220-240V 50HZ~1	220-240V 50HZ~1
WATER/ CO ₂ CONNECTION- SPEEDFIT FITTINGS	G 3/8, 5/16	3/8, 5/16

AVAILABLE CUSTOM MODIFICATION OPTIONS	YES	YES
CHOICE OF TAPS	X	X
STAINLESS STEEL SCREWING - G 5/8"	X	X
BACKLIT PANEL	X	X
POWER CABLE PLUG	✓	✓

Note
 Selected models are also available in 115 V/60 Hz or 220 V/60 Hz voltage.
 Other custom modifications are also available (contact us).



CZECH UP YOUR BEER
COOLING AND DISPENSING SYSTEMS

MODEL SODA EXCLUSIVE GREEN LINE

COOLING OUTPUT OF 25 L/HOUR

Soda water maker SODA EXCLUSIVE GREEN LINE is a professional cooler designed for producing cooled soda water by mixing H₂O and CO₂. This practical machine is suitable for use in households, offices, restaurants, production facilities and more. The soda water maker is fitted with high quality control buttons for easy use. Its exclusive look is highlighted by a backlit front panel.



144

✓ **OUTPUT** - the machine can produce up to 25 l of perfectly chilled sparkling or still water per hour.

✓ **DESIGN** - elegant look with backlit front panel with customised logos.

✓ **GREEN LINE** - SODA EXCLUSIVE is produced in GREEN LINE design.

✓ **EQUIPMENT** - this soda water maker has a pre-set optimal temperature. Drip tray included.



ADVANTAGES AND FUNCTIONAL CHARACTERISTICS OF LINDR SODA WATER MAKERS:

GREEN LINE – LINDR GREEN LINE technology is environmentally friendly thanks to the use of eco-friendly refrigerant R-290. We have introduced an energy saving system in the production. Thanks to this design, each product achieves **20% higher energy efficiency and 20% lower energy consumption.**

LINDR COOLING TECHNOLOGY – always more powerful than its electric input power.

DESIGN AND SERVICING - the modern design of LINDR cooling technology ensures ease of access for potential servicing and maintenance.

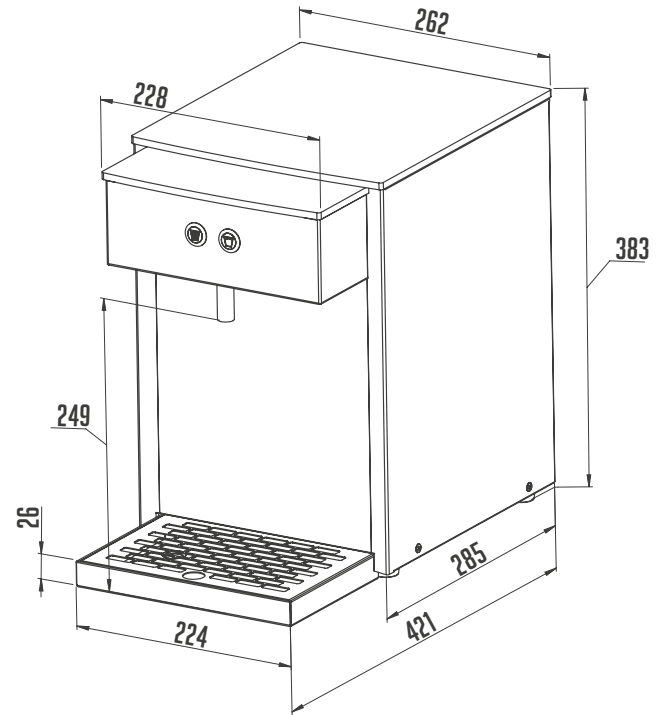
PERFORMANCE, QUALITY, SIZE – the best performance/ quality/ size ratio.





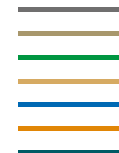
SODA EXCLUSIVE GREEN LINE

CZECH UP YOUR BEER
COOLING AND DISPENSING SYSTEMS



MODEL	COOLING CAPACITY	AIR COMPRESSOR	NUMBER OF COOLED BEVERAGES	NET WEIGHT
SODA EXCLUSIVE GL	25 L/HOUR	NO	WATER+SODA	22,9

TECHNICAL PARAMETERS



PRODUCT MODEL	SODA EXCLUSIVE GL
COOLING POWER OF THE COMPRESSOR (HP)	1/8
COOLING POWER OF THE COMPRESSOR (W)	310
MAXIMUM COOLING CAPACITY TO 0°C / TK 45°C (L/HOUR)	25
CONTINUOUS COOLING PERFORMANCE (L/HOUR)	20
THERMAL GRADIENT ΔT (°C)	10
AIR COMPRESSOR (BAR)	NO
NUMBER OF COOLED BEVERAGES (PCS)	WATER+SODA
NUMBER/ LENGHT OF COOLING COILS (M)	1/ 11,0
POWER (W)	391
AMPERAGE (A)	1,70
NET WEIGHT (KG)	22,9
TYPE OF REFRIGERANT	R290
VOLTAGE	220-240V 50HZ~1
WATER/ CO ₂ CONNECTION- SPEEDFIT FITTINGS	5/16, 5/16

AVAILABLE CUSTOM MODIFICATION OPTIONS	YES
CHOICE OF TAPS	X
STAINLESS STEEL SCREWING - 6 5/8"	✓
BACKLIT PANEL	✓
POWER CABLE PLUG	✓

Note
 Selected models are also available in 115 V/60 Hz or 220 V/60 Hz voltage.
 Other custom modifications are also available (contact us).



CZECH UP YOUR BEER
COOLING AND DISPENSING SYSTEMS

EXTERNAL SODA WATER MAKER

OUTPUT OF 40 L/HOUR

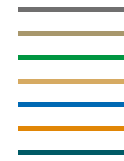
The device is designed to produce soda water by mixing drinking water and CO₂. The maker is capable of producing 40 l of soda water an hour. Easy connection to cooler and tap tower. Affordable solution for restaurants and other establishments serving beverages and looking to expand their existing bar with perfectly chilled sparkling water.



✓ **OUTPUT** – the device is capable of producing up to 40 l of soda water per hour.

✓ **QUALITY** – the materials used meet the strictest requirements of hygienic standards and guarantee a long service life of the device.

✓ **COMFORTABLY PORTABLE** – easy and safe handling of the system thanks to the small size and a handle on top.



ADVANTAGES AND FUNCTIONAL
CHARACTERISTICS OF LINDR SODA
WATER MAKERS:

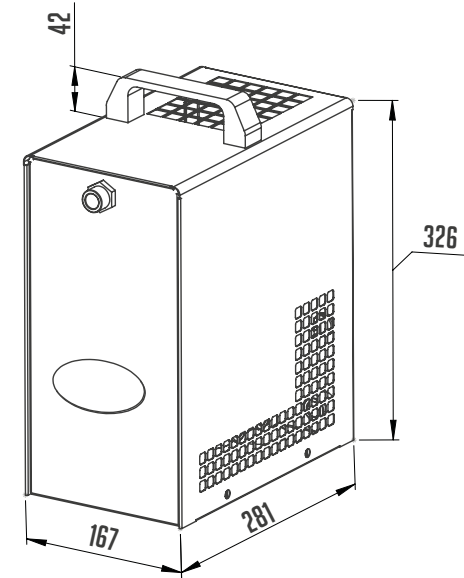
LINDR COOLING TECHNOLOGY – always more powerful than its electric input power.
CONSTRUCTION AND SERVICING – the modern arrangement of LINDR cooling technology ensures ease of access for potential servicing and maintenance.
PERFORMANCE, QUALITY, SIZE – the best performance/ quality/ size ratio.





EXTERNAL SODA WATER MAKER

CZECH UP YOUR BEER
COOLING AND DISPENSING SYSTEMS



MODEL

EXTERNAL SODA WATER
MAKER



COOLING
CAPACITY

40
L/HOUR



AIR
COMPRESSOR

NO



NUMBER OF COOLED
BEVERAGES

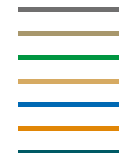
1



NET
WEIGHT

10,0

TECHNICAL PARAMETERS



PRODUCT MODEL	EXTERNAL SODA WATER MAKER
COOLING POWER OF THE COMPRESSOR (HP)	-
COOLING POWER OF THE COMPRESSOR (W)	-
MAXIMUM COOLING CAPACITY TO 0°C / TK 45°C (L/HOUR)	40
CONTINUOUS COOLING PERFORMANCE (L/HOUR)	-
THERMAL GRADIENT ΔT (°C)	-
AIR COMPRESSOR (BAR)	-
NUMBER OF COOLED BEVERAGES (PCS)	SODA
NUMBER/ LENGHT OF COOLING COILS (M)	
POWER (W)	345
AMPERAGE (A)	1,50
NET WEIGHT (KG)	10,0
TYPE OF REFRIGERANT	-
VOLTAGE	220-240V 50HZ~1
WATER/ CO ₂ CONNECTION- SPEEDFIT FITTINGS	G 5/8, G 5/8
AVAILABLE CUSTOM MODIFICATION OPTIONS	YES
POWER CABLE PLUG	✓

Note
 Selected models are also available in 115 V/60 Hz or 220 V/60 Hz voltage.
 Other custom modifications are also available (contact us).



CZECH UP YOUR BEER
COOLING AND DISPENSING SYSTEMS

MODEL SODA PYGMY 25 GREEN LINE

COOLING OUTPUT OF 20-25 L/HOUR

Soda water maker SODA PYGMY 25 GREEN LINE is a professional cooler designed for producing chilled soda water by mixing H₂O and CO₂. It is designed for undercounter placement and connection to a bar dispense tower or external valve. This practical machine is suitable for use in offices, restaurants or production plants. Output of up to 25 litres of perfectly chilled soda water per hour makes the soda water maker the ideal choice for universal use.



152

✓ **OUTPUT** - this machine can produce up to 25 l of perfectly chilled sparkling or still water per hour.

✓ **GREEN LINE** - SODA PYGMY 25 is produced in GREEN LINE design.

✓ **MOBILITY** - the unit features two handles for easier and safer handling.

✓ **EQUIPMENT** - the machine is equipped with a thermostat, allowing precise regulation of beverage temperature.



ADVANTAGES AND FUNCTIONAL CHARACTERISTICS OF LINDR SODA WATER MAKERS:

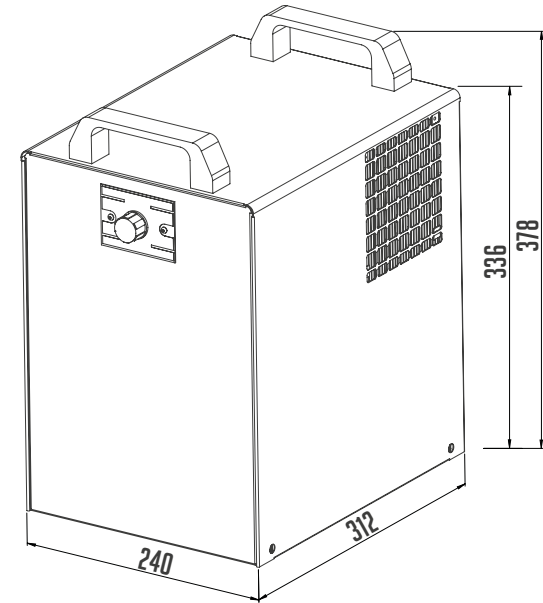
GREEN LINE - LINDR GREEN LINE technology is environmentally friendly thanks to the use of eco-friendly refrigerant R-290. We have also introduced an energy saving system in the production. This cooler achieves **20% higher energy efficiency and 20% lower energy consumption.** **LINDR COOLING TECHNOLOGY** - is always more powerful than its electric input power. **DESIGN AND SERVICING** - the modern design of LINDR cooling technology ensures ease of access for potential servicing and maintenance. **PERFORMANCE, QUALITY, DIMENSIONS** - best performance/ quality/ dimensions ratio.










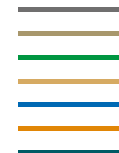
SODA PYGMY 25 GREEN LINE

CZECH UP YOUR BEER
COOLING AND DISPENSING SYSTEMS



 MODEL	 COOLING CAPACITY	 AIR COMPRESSOR	 NUMBER OF COOLED BEVERAGES	 NET WEIGHT
SODA PYGMY 25 GL	25 L/HOUR	NO	WATER+SODA	17,0

TECHNICAL PARAMETERS



PRODUCT MODEL	SODA PYGMY 25 GL
COOLING POWER OF THE COMPRESSOR (HP)	1/8
COOLING POWER OF THE COMPRESSOR (W)	310
MAXIMUM COOLING CAPACITY TO 0°C / TK 45°C (L/HOUR)	25
CONTINUOUS COOLING PERFORMANCE (L/HOUR)	20
THERMAL GRADIENT ΔT (°C)	10
AIR COMPRESSOR (BAR)	NO
NUMBER OF COOLED BEVERAGES (PCS)	WATER+SODA
NUMBER/ LENGHT OF COOLING COILS (M)	1/ 10,5
POWER (W)	391
AMPERAGE (A)	1,70
NET WEIGHT (KG)	17,0
TYPE OF REFRIGERANT	R290
VOLTAGE	220-240V 50HZ~1
WATER/ CO ₂ CONNECTION- SPEEDFIT FITTINGS	5/16, 5/16
AVAILABLE CUSTOM MODIFICATION OPTIONS	YES
CHOICE OF TAPS	X
STAINLESS STEEL SCREWING - 6 5/8"	✓
BACKLIT PANEL	X
POWER CABLE PLUG	✓

Note

Selected models are also available in 115 V/60 Hz or 220 V/60 Hz voltage.
Other custom modifications are also available (contact us).



CZECH UP YOUR BEER
COOLING AND DISPENSING SYSTEMS

SODA AS GREEN LINE is a professional device designed for producing chilled soda water by mixing H₂O and CO₂, with the capability to cool two additional beverages (beer, fizzy drinks etc.). Its high output of 60-110 l/h make it suitable for professional use in restaurants, inns and bars.

MODEL SODA AS-110 GREEN LINE

COOLING OUTPUT OF 60-110 L/HOUR



✓ **OUTPUT** – the device can produce up to 110 l of perfectly chilled sparkling or still water per hour.

✓ **COMFORTABLY PORTABLE** – easy and safe handling and transport thanks to handles mounted on the sides.

✓ **GREEN LINE** – SODA AS is built in GREEN LINE design.

✓ **EQUIPMENT** – standard inclusions in a delivery are a thermostat allowing smooth and precise regulation of beverage temperature.



ADVANTAGES AND FUNCTIONAL
CHARACTERISTICS OF LINDR SODA
WATER MAKERS:

GREEN LINE – LINDR GREEN LINE technology is environmentally friendly thanks to the use of eco-friendly refrigerant R-290. Our production incorporates systemic energy-saving measures. Thanks to this design, each product achieves **20% higher energy efficiency and 20% lower energy consumption.**

LINDR COOLING TECHNOLOGY – always more powerful than its electric input power. **CONSTRUCTION AND SERVICING** – the modern arrangement of LINDR cooling technology ensures ease of access for potential servicing and maintenance.

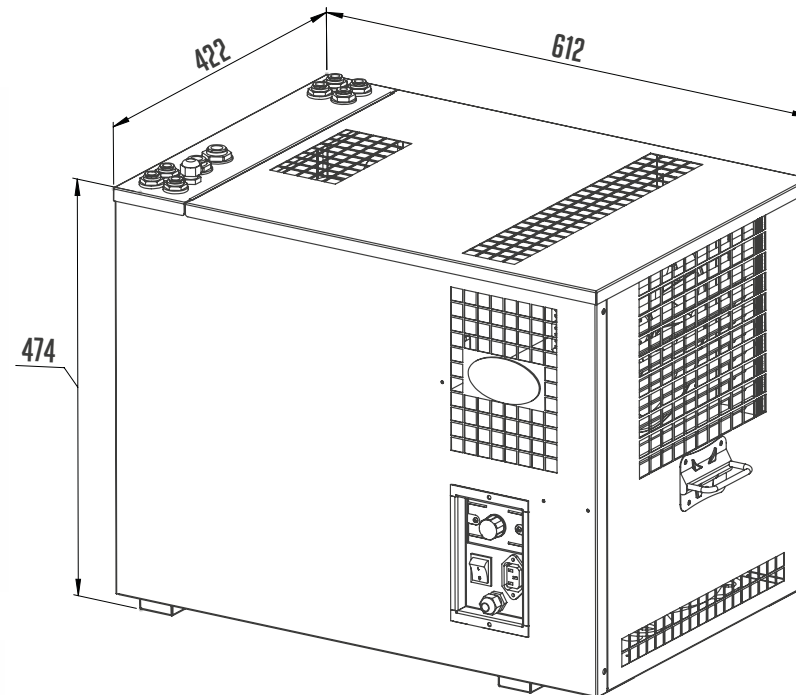
PERFORMANCE, QUALITY, SIZE – the best performance/ quality/ size ratio.





SODA AS-110 GREEN LINE

CZECH UP YOUR BEER
COOLING AND DISPENSING SYSTEMS



MODEL

SODA AS-110 GL



COOLING CAPACITY

110 L/HOUR



AIR COMPRESSOR

NO



NUMBER OF COOLED BEVERAGES

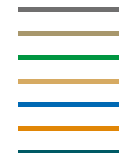
2+SODA



NET WEIGHT

38,0

TECHNICAL PARAMETERS



PRODUCT MODEL	SODA AS-110 GL
COOLING POWER OF THE COMPRESSOR (HP)	1/3
COOLING POWER OF THE COMPRESSOR (W)	860
MAXIMUM COOLING CAPACITY TO 0°C / TK 45°C (L/HOUR)	110
CONTINUOUS COOLING PERFORMANCE (L/HOUR)	60
THERMAL GRADIENT ΔT (°C)	10
AIR COMPRESSOR (BAR)	NO
NUMBER OF COOLED BEVERAGES (PCS)	2+SODA
NUMBER/ LENGHT OF COOLING COILS (M)	2/ 16,0
POWER (W)	943
AMPERAGE (A)	4,10
NET WEIGHT (KG)	38,0
TYPE OF REFRIGERANT	R290
VOLTAGE	220-240V 50HZ~1
WATER/ CO ₂ CONNECTION- SPEEDFIT FITTINGS	3/8, 5/16
AVAILABLE CUSTOM MODIFICATION OPTIONS	YES
CHOICE OF TAPS	X
STAINLESS STEEL SCREWING - 6 5/8"	✓
BACKLIT PANEL	X
POWER CABLE PLUG	✓

Note

Selected models are also available in 115 V/60 Hz or 220 V/60 Hz voltage.
Other custom modifications are also available (contact us).



CZECH UP YOUR BEER
COOLING AND DISPENSING SYSTEMS

DISPENSE TOWERS LINDR

A varied range of dispense towers designed for pouring beer and connection with undercounter beer coolers. These towers differ not only in design, but also in the number of taps.

*A leading Czech manufacturer
of cooling and dispensing equipment*



SL 482008

Lindr®
chladičí a výčepní technika
CZ



CZECH UP YOUR BEER
COOLING AND DISPENSING SYSTEMS

LINDR NAKED, NAKED ONE TOWERS

Original, professional one tap dispense towers in fully stainless design without welds. Customers can choose from a variety of tap types and customise the tap tower's look with an illuminated or wooden medallion. Ease of installation is ensured by a central nut.



LINDR NAKED



LINDR NAKED ONE

✓ **COOLING** – the unique construction of LINDR towers ensures the beverage is cooled all the way to the tap thanks to a well insulated coil.

✓ **DESIGN** – all models are fully in stainless steel elegant design with a single tap. The towers come with polished or sandblasted stainless steel finish, based on the customer's preference. Also available in a wide variety of RAL colours.

✓ **TAP SELECTION** – choice of classic or a ball taps.

✓ **BEVERAGE TUBING** – the tower is fitted with 8 mm stainless steel beverage tubing.

✓ **ADVERTISEMENT** – the models are even more customisable thanks to the ability to carry a single wooden or backlit advertisement with a custom logo.



ADVANTAGES AND FUNCTIONAL CHARACTERISTICS OF LINDR DISPENSE TOWERS:

STAINLESS BODY – the entire tower is made of stainless steel. The materials used meet the strictest hygienic standards and guarantee long service life of LINDR tap towers.

TUBING – 8 mm tube diameter.

DESIGN – polished stainless steel body without welds.

LINDR NAKED ONE TOWER

Fully stainless, original one dispense tower NAKED ONE offers you the ability to choose from different tap types and additional customisation options with illuminated or wooden medallion. In addition, the model is very easy to install thanks to a simple nut.

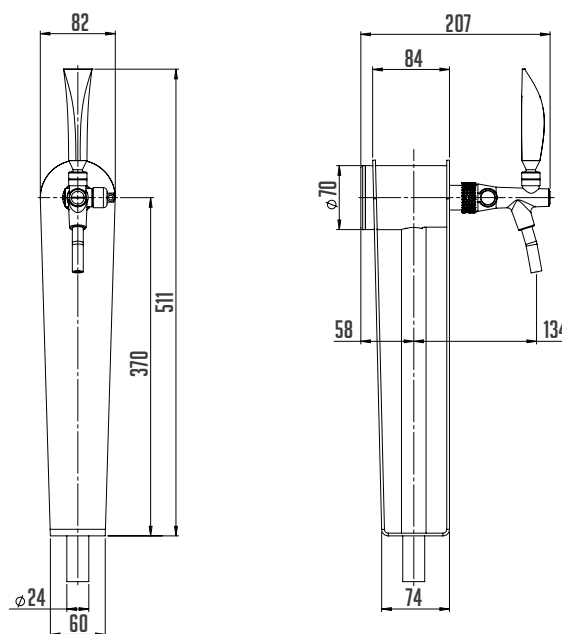




CZECH UP YOUR BEER
COOLING AND DISPENSING SYSTEMS

LINDR NAKED, NAKED ONE TOWERS

1x Tap



DISPENSE TOWER	NUMBER OF TAPS	COLOR DESIGN	INPUT (MM)
NAKED 1x Tap	1	STAINLESS STEEL SANDBLASTED COLOR	8
NAKED ONE 1x Tap	1	STAINLESS STEEL SANDBLASTED COLOR	8

TECHNICAL PARAMETERS

PRODUCT MODEL	LINDR NAKED TOWER	LINDR NAKED ONE TOWER
BASIC MEDALLION	YES	YES
LINDR TAP	YES	YES
MEDALLION Ø 69 MM	YES	YES
CONNECTION - INPUT ST. STEEL TUBE 8MM WITH RECIRCULATION COIL RIGHT TO THE TAP	YES	YES
NUMBER OF TAPS (PCS)	1	1
WEIGHT (KG)	4,30	3,60
COLOR DESIGN- POLISHED STAINLESS STEEL	YES	YES

OPTIONAL ACCESSORIES	YES	YES
ILLUMINATED MEDALLION	✓	✓
WOODEN MEDALLION	✓	✓
CHOICE OF MEDALLION Ø 82 MM	X	X
CHOICE OF TAP	✓	✓
CHOICE OF MEDALLION	X	X
CONNECTION - INLET 10 MM STAINLESS STEEL WITH RECIRCULATION COIL RIGHT TO THE TAP	X	X

POSSIBLE CUSTOMIZED OPTIONS	YES	YES
FISH EYE MEDALLION	✓	✓
COLOR DESIGN ACCORDING TO RAL SAMPLES	✓	✓
COLOR DESIGN OF SANDBLASTING	✓	✓

Note
We will be happy to inform you regarding custom modifications (contact us).



SANDBLASTED



STAINLESS STEEL



COLOR DESIGN



BASIC MEDALLION



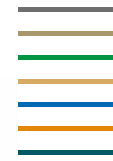
ILLUMINATED MEDALLION



WOODEN MEDALLION



FISH EYE MEDAILON

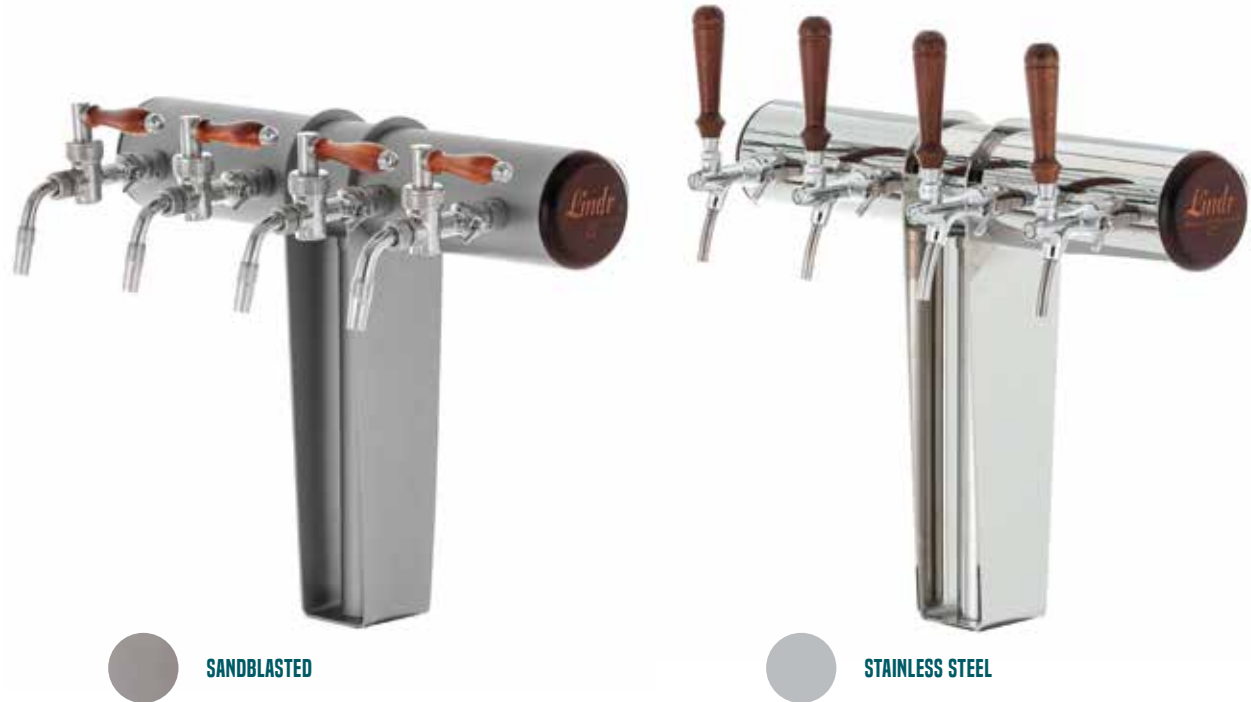




LINDR NAKED COLD BRIDGE 4 TOWER

CZECH UP YOUR BEER
COOLING AND DISPENSING SYSTEMS

Original, professional four dispense towers in fully stainless design without welds. Customers can choose from a variety of tap types and customise the tap tower's look with an illuminated or wooden medallion. Ease of installation is ensured by a central nut.



● SANDBLASTED

● STAINLESS STEEL

✓ **COOLING** – the unique construction of LINDR towers ensures the beverage is cooled all the way to the tap thanks to a well insulated coil.

✓ **DESIGN** – fully stainless steel with 4 taps. The towers come with polished or sandblasted stainless steel finish, based on the customer's preference.

✓ **TAP SELECTION** – choice of classic or a ball taps.

✓ **BEVERAGE TUBING** – the towers are fitted with 8 mm stainless steel beverage tubing.

✓ **ADVERTISEMENT** – the models are even more customisable thanks to the ability to carry a wooden advertisement and four 69/82 mm illuminated medallions with a custom logo.



ADVANTAGES AND FUNCTIONAL
CHARACTERISTICS OF LINDR
DISPENSE TOWERS:

STAINLESS BODY – the entire tower is made of stainless steel. The materials used meet the strictest hygienic standards and guarantee long service life of LINDR tap towers.

TAP COOLING – is ensured by the unique design of LINDR tap towers, where each tap is fitted with a separate, well insulated cooling coil.

TUBING – 8 mm tube diameter.

DESIGN – polished stainless steel body without welds.





LINDR NAKED COLD BRIDGE 4 TOWER

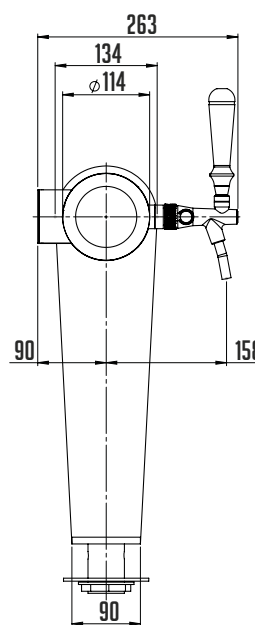
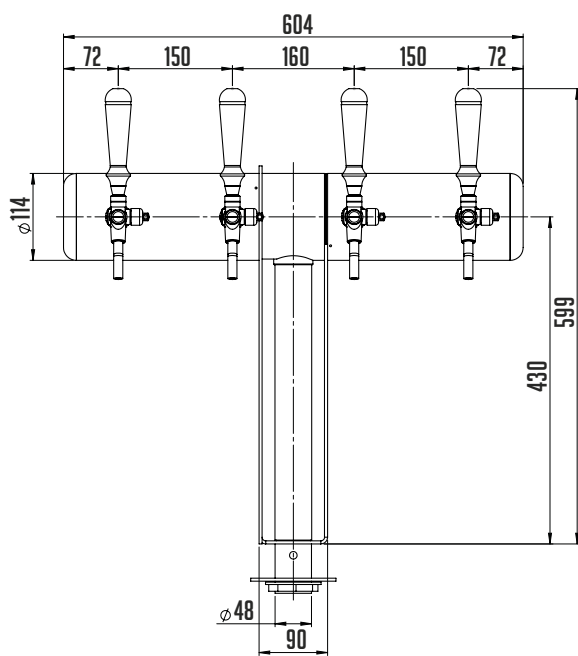
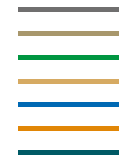
4x Tap

CZECH UP YOUR BEER
COOLING AND DISPENSING SYSTEMS



LINDR NAKED COLD BRIDGE 4 TOWER

4x Tap



DISPENSE TOWER	NUMBER OF TAPS	COLOR DESIGN	INPUT (MM)
COLD BRIDGE 4x Tap	4	STAINLESS STEEL SANDBLASTED	8



CZECH UP YOUR BEER

COOLING AND DISPENSING SYSTEMS

LINDR NAKED COLD BRIDGE 4 TOWER

NAKED COLD BRIDGE represents a comprehensive line of professional dispense towers, offering a choice in the number and type of taps, either classic or ball. These towers provide an original solution for supplemental cooling all the way to the individual taps. Stainless steel design is standard for these tap towers. The towers are fitted with an 8 mm tubing inlet.



TECHNICAL PARAMETERS

PRODUCT MODEL LINDR NAKED COLD BRIDGE 4 TOWER

BASIC MEDALLION	YES
LINDR TAP	YES
MEDALLION Ø 69 MM	YES
CONNECTION - INPUT ST. STEEL TUBE 8MM WITH RECIRCULATION COIL RIGHT TO THE TAP	YES
NUMBER OF TAPS (PCS)	4
WEIGHT (KG)	12,0
COLOR DESIGN- POLISHED STAINLESS STEEL	YES

OPTIONAL ACCESSORIES YES

ILLUMINATED MEDALLION	✓
WOODEN MEDALLION	✓
CHOICE OF MEDALLION Ø 82 MM	✓
CHOICE OF TAP	✓
CHOICE OF MEDALLION	X
CONNECTION - INLET 10 MM STAINLESS STEEL WITH RECIRCULATION COIL RIGHT TO THE TAP	X

POSSIBLE CUSTOMIZED OPTIONS YES

FISH EYE MEDALLION	✓
COLOR DESIGN ACCORDING TO RAL SAMPLES	X
COLOR DESIGN OF SANDBLASTING	✓

Note
We will be happy to inform you regarding custom modifications (contact us).



SANDBLASTED



STAINLESS STEEL



BASIC MEDALLION



ILLUMINATED MEDALLION



WOODEN MEDALLION



FISH EYE MEDAILON



LINDR NAKED COLD BRIDGE 6, 8 TOWER

These original, professional dispense towers with six or eight taps will stand out in any taproom. The towers are once again fully stainless without welds and can be customised with a choice between illuminated or wooden medallion and different types of taps. Ease of installation is ensured by central nuts on two stands.



● **STAINLESS STEEL**

LINDR NAKED COLD BRIDGE 6

● **SANDBLASTED**

LINDR NAKED COLD BRIDGE 8

✓ **COOLING** – the unique construction of LINDR towers ensures the beverage is cooled all the way to the taps thanks to a well insulated coil.

✓ **DESIGN** – fully stainless steel with 6/8 taps and two legs. The tower comes with polished stainless steel finish.

✓ **TAP SELECTION** – choice of classic or ball taps.

✓ **BEVERAGE TUBING** – the towers are fitted with 8 and 10 mm stainless steel beverage tubing.

✓ **ADVERTISEMENT** – the models are even more customisable thanks to the ability to carry a wooden advertisement and 6/8 backlit medallions with 69/82 mm diameter with a custom logo.



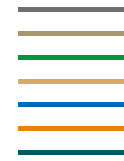
ADVANTAGES AND FUNCTIONAL
CHARACTERISTICS OF LINDR
DISPENSE TOWERS:

STAINLESS BODY – the entire tower is made of stainless steel. The materials used meet the strictest hygienic standards and guarantee long service life of LINDR tap towers.

TAP COOLING – is ensured by the unique design of LINDR tap towers, where each tap is fitted with a separate, well insulated cooling coil.

TUBING – 8/10 mm tube diameter.

DESIGN – polished stainless steel body without welds.

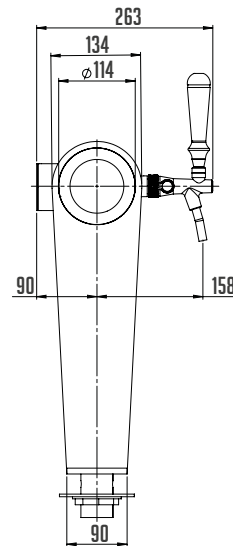
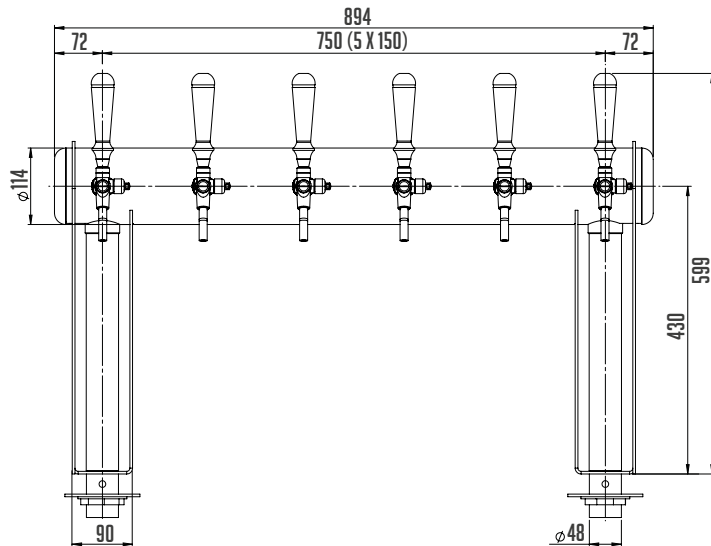








LINDR NAKED COLD BRIDGE 6 TOWER

6x Tap

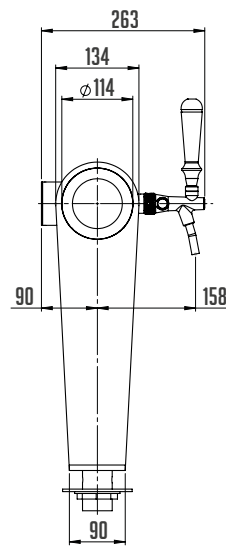
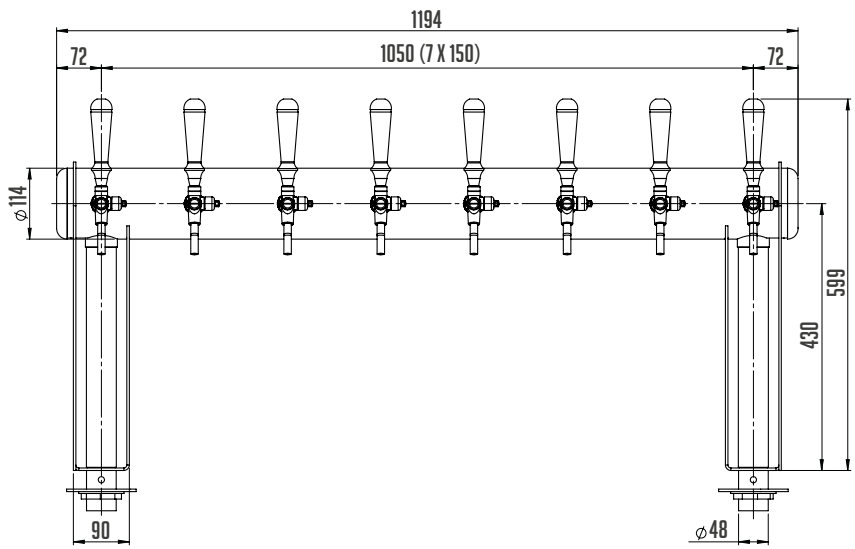
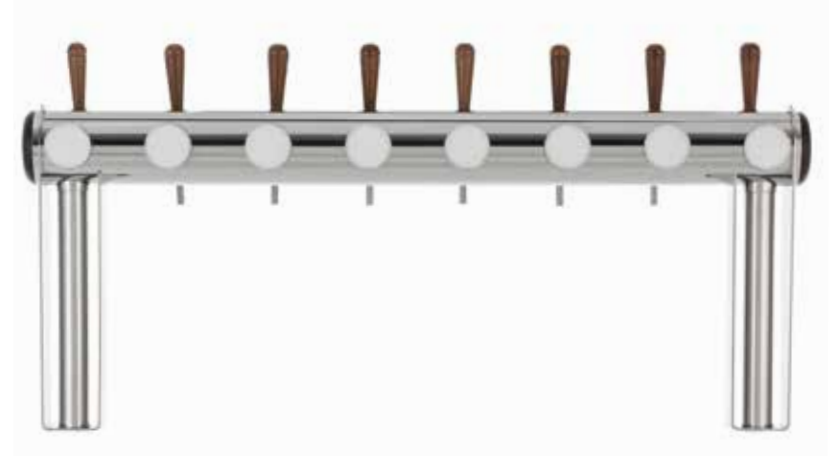
CZECH UP YOUR BEER
COOLING AND DISPENSING SYSTEMS



			
DISPENSE TOWER	NUMBER OF TAPS	COLOR DESIGN	INPUT (MM)
COLD BRIDGE 6x Tap	6	STAINLESS STEEL SANDBLASTING	8 10

LINDR NAKED COLD BRIDGE 8 TOWER

8x Tap



DISPENSE TOWER	NUMBER OF TAPS	COLOR DESIGN	INPUT (MM)
COLD BRIDGE 8x Tap	8	STAINLESS STEEL SANDBLASTING	8 10

DISPENSE TOWERS LINDR

175



CZECH UP YOUR BEER

COOLING AND DISPENSING SYSTEMS

LINDR NAKED COLD BRIDGE 6, 8 TOWER

NAKED COLD BRIDGE represents a comprehensive line of professional dispense towers, offering a choice in the number and type of taps, either classic or ball. These towers provide an original solution for supplemental cooling all the way to the individual taps. Stainless steel design is a standard for these tap towers. The towers are fitted with an 8/10 mm tubing inlet, depending on the customer's choice.



TECHNICAL PARAMETERS

PRODUCT MODEL	LINDR NAKED COLD BRIDGE 6 TOWER	LINDR NAKED COLD BRIDGE 8 TOWER
BASIC MEDALLION	YES	YES
LINDR TAP	YES	YES
MEDALLION Ø 69 MM	YES	YES
CONNECTION - INPUT ST. STEEL TUBE 8MM WITH RECIRCULATION COIL RIGHT TO THE TAP	YES	YES
NUMBER OF TAPS (PCS)	6	8
WEIGHT (KG)	18,5	20,5
COLOR DESIGN- POLISHED STAINLESS STEEL	YES	YES
OPTIONAL ACCESSORIES	YES	YES
ILLUMINATED MEDALLION	✓	✓
WOODEN MEDALLION	✓	✓
CHOICE OF MEDALLION Ø 82 MM	✓	✓
CHOICE OF TAP	✓	✓
CHOICE OF MEDALLION	X	X
CONNECTION - INLET 10 MM STAINLESS STEEL WITH RECIRCULATION COIL RIGHT TO THE TAP	✓	✓
POSSIBLE CUSTOMIZED OPTIONS	YES	YES
FISH EYE MEDALLION	✓	✓
COLOR DESIGN ACCORDING TO RAL SAMPLES	X	X
COLOR DESIGN OF SANDBLASTING	✓	✓

Note
We will be happy to inform you regarding custom modifications (contact us).



SANDBLASTING



STAINLESS STEEL



BASIC MEDALLION



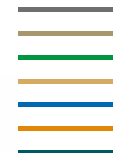
ILLUMINATED MEDALLION



WOODEN MEDALLION



FISH EYE MEDALLION



LINDR NAKED COLD BRIDGE 10, 12 TOWER

These original, professional dispense towers with 10 or 12 taps will stand out in any taproom. The towers are once again fully stainless without welds and can be customised with a choice between illuminated or wooden medallion and different types of taps. Ease of installation is ensured by central nuts on two stands.



LINDR NAKED COLD BRIDGE 10

LINDR NAKED COLD BRIDGE 12

- ✓ **DESIGN** – fully stainless steel with 10/12 taps and two legs. The tower comes with polished stainless steel finish.
- ✓ **COOLING** – the unique construction of LINDR towers ensures the beverage is cooled all the way to the taps thanks to a well insulated coil.
- ✓ **TAP SELECTION** – choice of classic or ball taps.

- ✓ **BEVERAGE TUBING** – the towers are fitted with 8 and 10 mm stainless steel beverage tubing.
- ✓ **ADVERTISEMENT** – the models are even more customisable thanks to the ability to carry a wooden advertisement and 10/12 backlit medallions with 69/82 mm diameter with a custom logo.



ADVANTAGES AND FUNCTIONAL
CHARACTERISTICS OF LINDR
DISPENSE TOWERS:

STAINLESS BODY – the entire tower is made of stainless steel. The materials used meet the strictest hygienic standards and guarantee long service life of LINDR tap towers.

TAP COOLING – is ensured by the unique design of LINDR tap towers, where each tap is fitted with a separate, well insulated cooling coil.

TUBING – 8/10 mm tube diameter.

DESIGN – polished stainless steel body without welds.

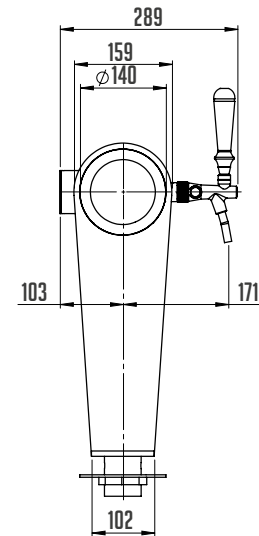
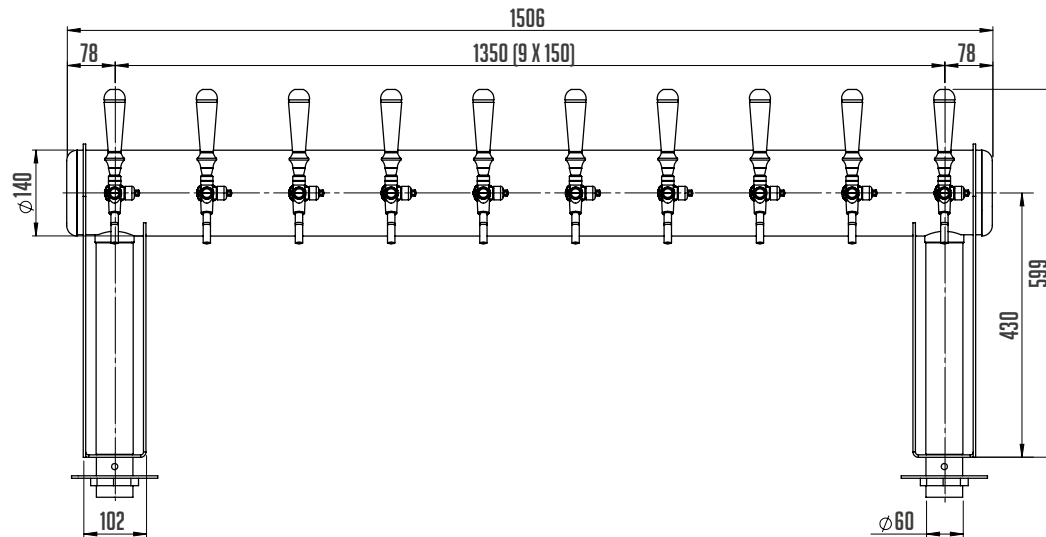




LINDR NAKED COLD BRIDGE 10 TOWER

10x Tap

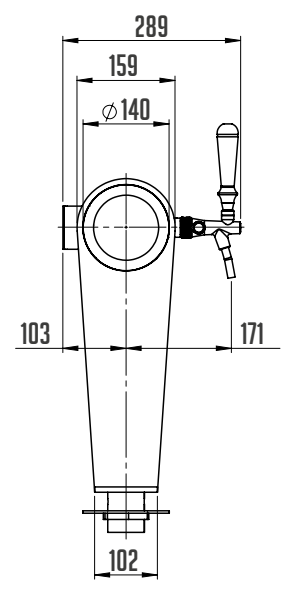
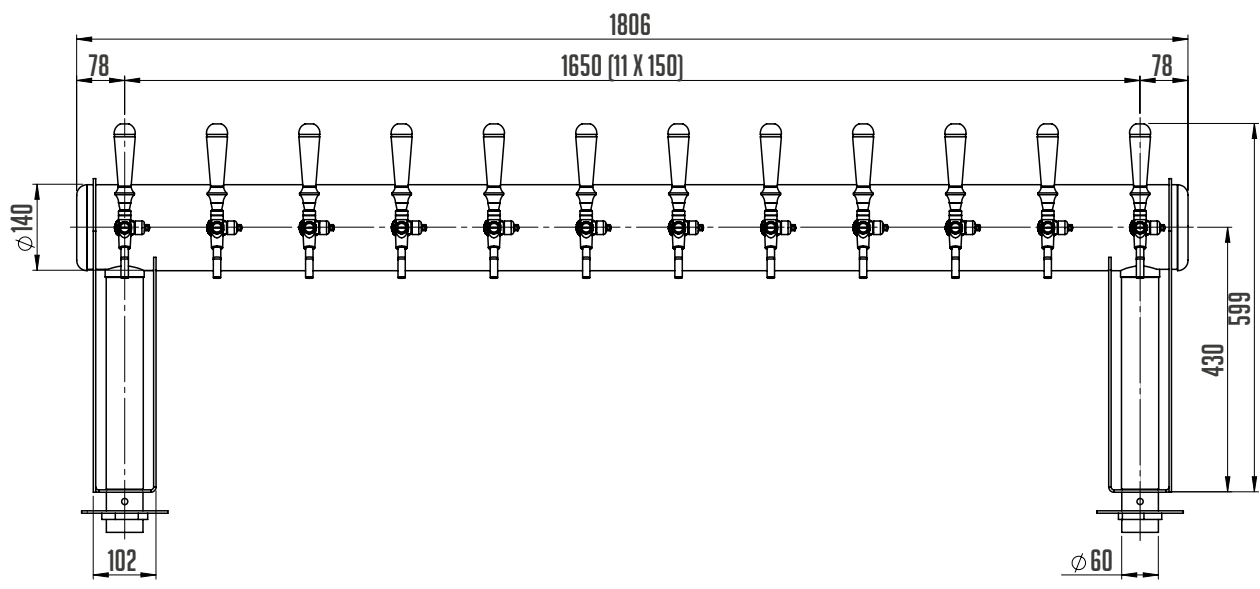
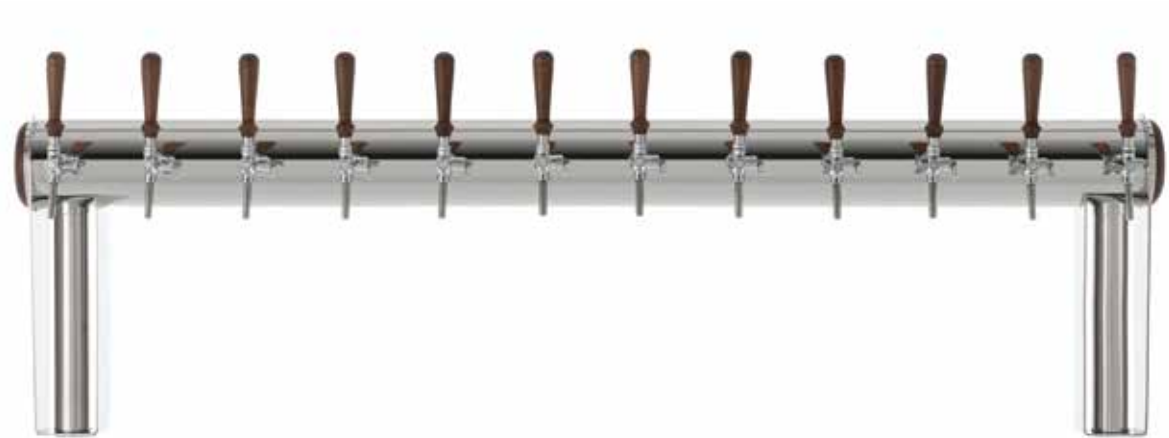
CZECH UP YOUR BEER
COOLING AND DISPENSING SYSTEMS



DISPENSE TOWER	NUMBER OF TAPS	COLOR DESIGN	INPUT (MM)
COLD BRIDGE 10x Tap	10	STAINLESS STEEL	8 10
COLD BRIDGE 12x Tap	12	STAINLESS STEEL	8 10

LINDR NAKED COLD BRIDGE 12 TOWER

12x Tap





CZECH UP YOUR BEER

COOLING AND DISPENSING SYSTEMS

LINDR NAKED COLD BRIDGE 10, 12 TOWER

NAKED COLD BRIDGE represents a comprehensive line of professional dispense towers, offering a choice in the number and type of taps, either classic or ball. These towers provide an original solution for supplemental cooling all the way to the individual taps. Stainless steel design is a standard for these tap towers. The towers are fitted with an 8/10 mm tubing inlet, depending on the customer's choice.



TECHNICAL PARAMETERS

PRODUCT MODEL	LINDR NAKED COLD BRIDGE 10 TOWER	LINDR NAKED COLD BRIDGE 12 TOWER
BASIC MEDALLION	YES	YES
LINDR TAP	YES	YES
MEDALLION Ø 69 MM	YES	YES
CONNECTION - INPUT ST. STEEL TUBE 8MM WITH RECIRCULATION COIL RIGHT TO THE TAP	YES	YES
NUMBER OF TAPS (PCS)	10	12
WEIGHT (KG)	33,0	37,0
COLOR DESIGN- POLISHED STAINLESS STEEL	YES	YES
OPTIONAL ACCESSORIES	YES	YES
ILLUMINATED MEDALLION	✓	✓
WOODEN MEDALLION	✓	✓
CHOICE OF MEDALLION Ø 82 MM	✓	✓
CHOICE OF TAP	✓	✓
CHOICE OF MEDALLION	X	X
CONNECTION - INLET 10 MM STAINLESS STEEL WITH RECIRCULATION COIL RIGHT TO THE TAP	✓	✓
POSSIBLE CUSTOMIZED OPTIONS	YES	YES
FISH EYE MEDALLION	✓	✓
COLOR DESIGN ACCORDING TO RAL SAMPLES	X	X
COLOR DESIGN OF SANDBLASTING	X	X

Note
We will be happy to inform you regarding custom modifications (contact us).



BASIC MEDALLION



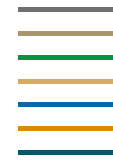
ILLUMINATED MEDALLION



WOODEN MEDALLION



FISH EYE MEDALLION





CZECH UP YOUR BEER

COOLING AND DISPENSING SYSTEMS

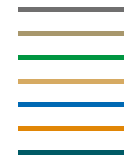
Slender, delicate looking type of dispense tower with minimalistic design and a single tap. This tower is practical and efficient in dispensing beer, wine or other tapped beverages. It is suitable for smaller spaces, bars, restaurants, gazebos, gardens, etc. This model has a wide range of accessories, including a design featuring an illuminated advertisement or a medallion with custom motifs.

LINDR TUBE TOWER



- ✓ **DESIGN** – fully stainless steel with 1 tap. The towers come with polished or sandblasted stainless steel finish, based on the customer's preference.
- ✓ **BEVERAGE TUBING** – the towers are fitted with 8 mm stainless steel beverage tubing.

- ✓ **TAP SELECTION** – choice from classic or ball taps.
- ✓ **ADVERTISEMENT** – the models allow the fitting of a backlit medallion with 69 mm diameter or a wooden medallion with custom motive of the customer's choice.



ADVANTAGES AND FUNCTIONAL CHARACTERISTICS OF LINDR DISPENSE TOWERS:

STAINLESS BODY – the entire tower is made of stainless steel. The materials used meet the strictest hygienic standards and guarantee long service life of LINDR tap towers.

TUBING – 8 mm tube diameter.

DESIGN – polished stainless steel body without welds.

LINDR TUBE TOWER

LINDR TUBE represents a simple, modern and spatially conservative tap tower with a choice between classic or lever tap. It also allows the option of choosing a medallion on the back from our assortment. The tower comes in stainless steel or sandblasted surface finish and are fitted with an 8 mm tubing inlet.

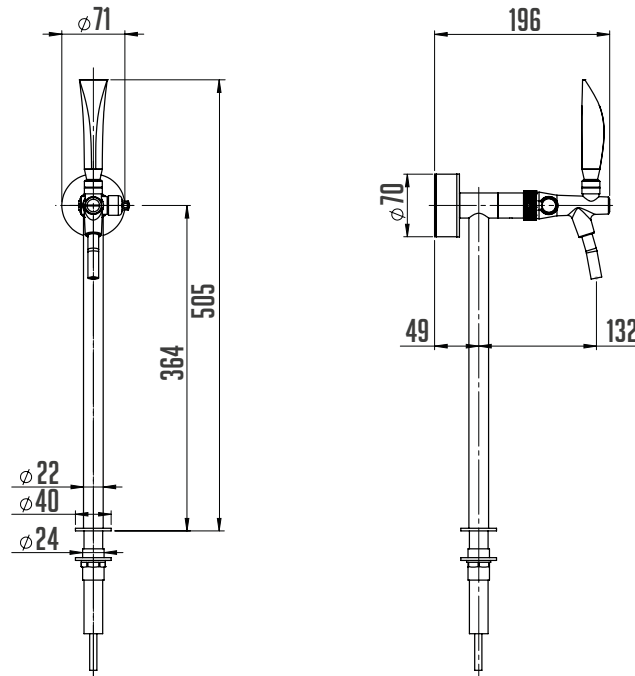




CZECH UP YOUR BEER
COOLING AND DISPENSING SYSTEMS

LINDR TUBE TOWER

1x Tap



DISPENSE TOWER	NUMBER OF TAPS	COLOR DESIGN	INPUT (MM)
LINDR TUBE 1x Tap	1	STAINLESS STEEL SANDBLASTING	8

TECHNICAL PARAMETERS

PRODUCT MODEL	LINDR TUBE TOWER
BASIC MEDALLION	NO
LINDR TAP	YES
MEDALLION Ø 69 MM	YES
CONNECTION - INPUT ST. STEEL TUBE 8MM	YES
NUMBER OF TAPS (PCS)	1
WEIGHT (KG)	2,0
COLOR DESIGN- POLISHED STAINLESS STEEL	YES
OPTIONAL ACCESSORIES	YES
ILLUMINATED MEDALLION	✓
WOODEN MEDALLION	✓
CHOICE OF MEDALLION Ø 82 MM	X
CHOICE OF TAP	✓
CHOICE OF MEDALLION	X
CONNECTION - INLET 10 MM STAINLESS STEEL	X
POSSIBLE CUSTOMIZED OPTIONS	YES
FISH EYE MEDALLION	✓
COLOR DESIGN ACCORDING TO RAL SAMPLES	X
COLOR DESIGN OF SANDBLASTING	✓

Note

We will be happy to inform you regarding custom modifications (contact us).



SANDBLASTING



STAINLESS STEEL



WOODEN MEDALLION



ILLUMINATED MEDALLION



FISH EYE MEDAILON



MEDALLION HOLDER





CZECH UP YOUR BEER
COOLING AND DISPENSING SYSTEMS

LINDR GRAND T3, T5 TOWER

These original, professional dispense towers with three or five taps will stand out in any taproom. The towers are once again fully stainless without welds and can be customised with a choice between a plaque or an illuminated or wooden medallion, and with different types of taps. Ease of installation is ensured by a central nut on one stand.



LINDR GRAND T3

LINDR NAKED GRAND T5

✓ **DESIGN** – fully stainless steel with 3/5 taps and a single stand. The towers come with polished or sandblasted stainless steel finish, based on the customer's preference.

✓ **COOLING** – the unique construction of LINDR towers ensures the beverage is cooled all the way to all the taps thanks to a well insulated coil.

✓ **TAP SELECTION** – wide choice from classic or ball taps.

✓ **BEVERAGE TUBING** – the towers are fitted with 8 and 10 mm stainless steel beverage tubing.

✓ **ADVERTISEMENT** – the models are even more customisable thanks to the option to fit either a plaque or a wooden advertisement and 3/5 backlit medallions with 69/82 mm diameter and a custom logo.



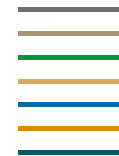
ADVANTAGES AND FUNCTIONAL
CHARACTERISTICS OF LINDR
DISPENSE TOWERS:

STAINLESS BODY – the entire tower is made of stainless steel. The materials used meet the strictest hygienic standards and guarantee long service life of LINDR tap towers.

TAP COOLING – is ensured by the unique design of LINDR tap towers, where each tap is fitted with a separate, well insulated cooling coil.

TUBING – 8/10 mm tube diameter.

DESIGN – polished stainless steel body without welds.

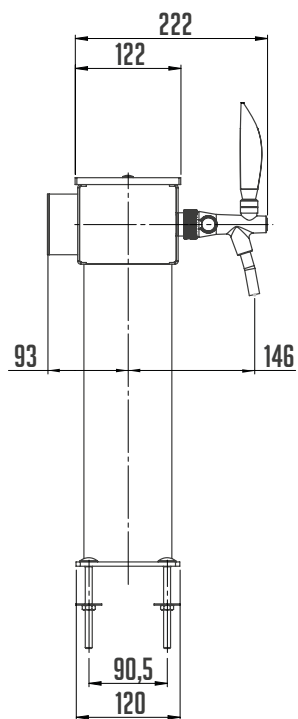
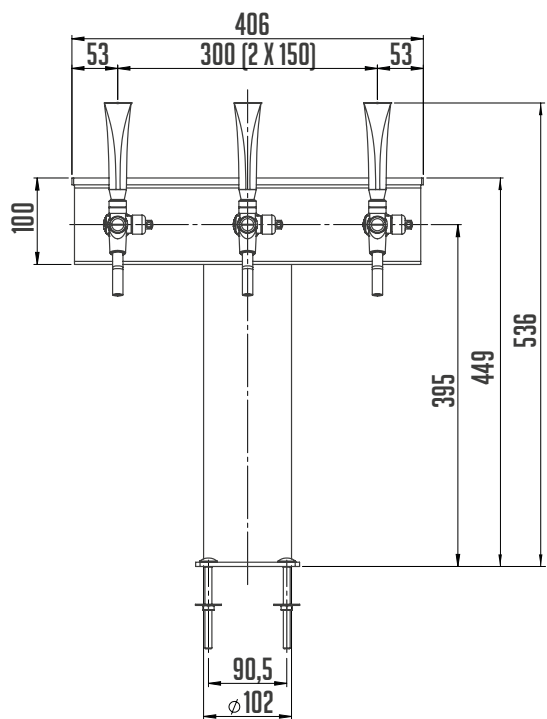
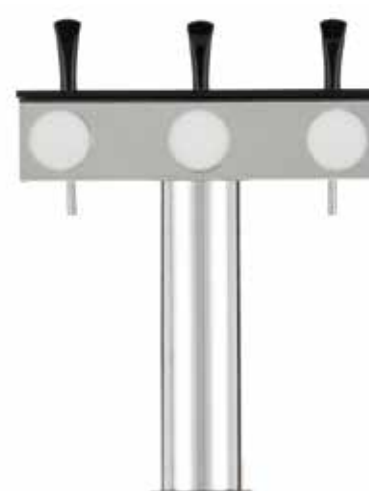




CZECH UP YOUR BEER
COOLING AND DISPENSING SYSTEMS

LINDR GRAND T3 TOWER

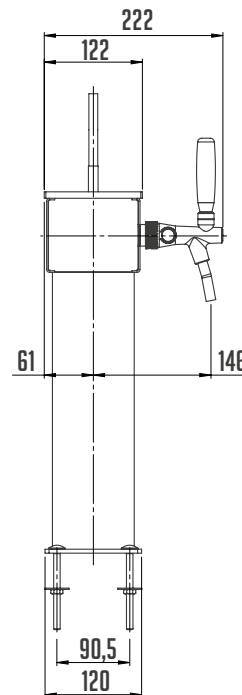
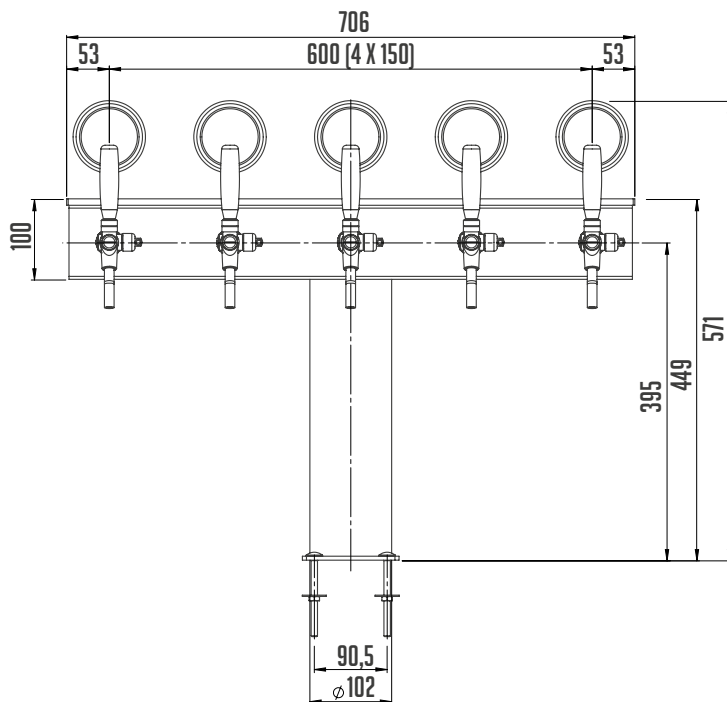
3x Tap



DISPENSE TOWER	NUMBER OF TAPS	COLOR DESIGN	INPUT (MM)
GRAND T3 3x Tap	3	STAINLESS STEEL SANDBLASTING COLOR	8 10

LINDR GRAND T5 TOWER

5x Tap



DISPENSE
TOWER

GRAND T5
5x Tap



NUMBER
OF TAPS

5



COLOR
DESIGN

STAINLESS STEEL
SANDBLASTING
COLOR



INPUT
(MM)

8
10



CZECH UP YOUR BEER

COOLING AND DISPENSING SYSTEMS

| LINDR GRAND T3, T5 TOWER

LINDR GRAND represents a comprehensive line of professional dispense towers, offering a choice in the number and type of taps, either classic or ball. These towers provide an original solution for supplemental cooling all the way to the individual taps. Stainless steel design is a standard for these tap towers. The towers are fitted with an 8/10 mm tubing inlet, depending on the customer's choice.

192



TECHNICAL PARAMETERS

PRODUCT MODEL	LINDR GRAND T3 TOWER	LINDR GRAND T5 TOWER
BASIC MEDALLION	NO	NO
LINDR TAP	YES	YES
MEDALLION Ø 69 MM	YES	YES
CONNECTION - INPUT ST. STEEL TUBE 8MM WITH RECIRCULATION COIL RIGHT TO THE TAP	YES	YES
NUMBER OF TAPS (PCS)	3	5
WEIGHT (KG)	5,0	7,0
COLOR DESIGN- POLISHED STAINLESS STEEL	YES	YES
OPTIONAL ACCESSORIES	YES	YES
ILLUMINATED MEDALLION	✓	✓
WOODEN MEDALLION	✓	✓
CHOICE OF MEDALLION Ø 82 MM	✓	✓
CHOICE OF TAP	✓	✓
CHOICE OF MEDALLION	✓	✓
CONNECTION - INLET 10 MM STAINLESS STEEL WITH RECIRCULATION COIL RIGHT TO THE TAP	✓	✓
POSSIBLE CUSTOMIZED OPTIONS	YES	YES
FISH EYE MEDALLION	✓	✓
COLOR DESIGN ACCORDING TO RAL SAMPLES	X	X
COLOR DESIGN OF SANDBLASTING	✓	✓

Note
We will be happy to inform you regarding custom modifications (contact us).



SANDBLASTING



STAINLESS STEEL



ILLUMINATED MEDALLION



WOODEN MEDALLION



FISH EYE MEDAILON



MEDALLION





CZECH UP YOUR BEER
COOLING AND DISPENSING SYSTEMS

LINDR T2-T6 TOWERS

These original, professional dispense towers with two to six taps will stand out in any taproom. The body is once again in high quality stainless steel design without welds, and allows a choice of medallions or illuminated advertising. Ease of installation is ensured by a central nut on one stand.



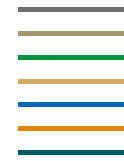
LINDR T3

LINDR T5

✓ **DESIGN** – fully stainless steel with 2 - 6 taps. The towers come with polished stainless steel, PVD coating or sandblasted finish.

✓ **BEVERAGE TUBING** – the towers are fitted with 8/10 mm stainless steel beverage tubing.

✓ **ADVERTISEMENT** – the models are even more customisable with medallion or a single backlit advertisement with a custom motif.



ADVANTAGES AND FUNCTIONAL
CHARACTERISTICS OF LINDR
DISPENSE TOWERS:

STAINLESS BODY – the entire tower is made of stainless steel. The materials used meet the strictest hygienic standards and guarantee long service life of LINDR dispense towers.

TUBING – 8/10 mm tube diameter.

DESIGN – polished stainless steel body without welds.

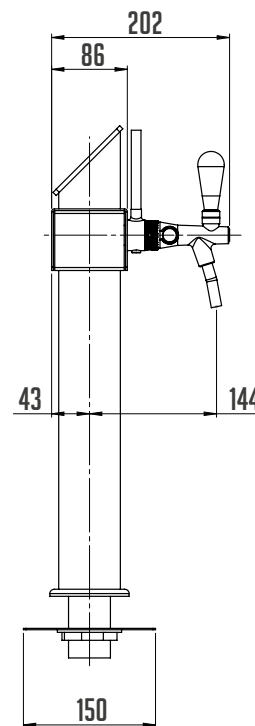
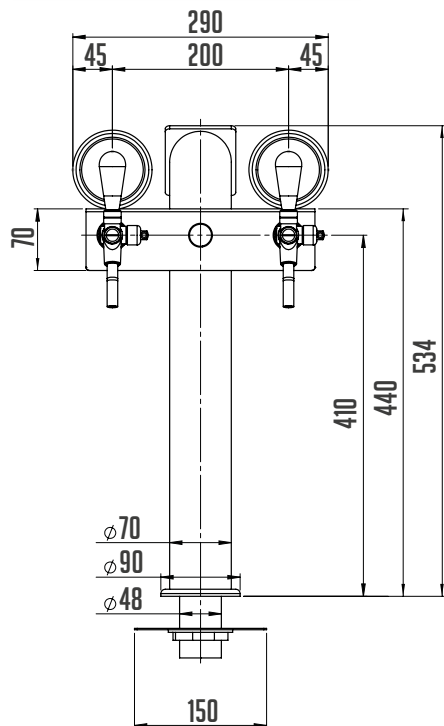




CZECH UP YOUR BEER
COOLING AND DISPENSING SYSTEMS

LINDR T2 TOWER

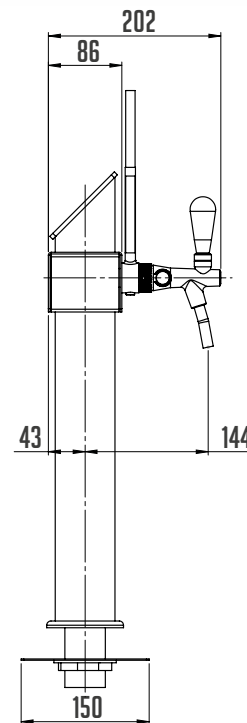
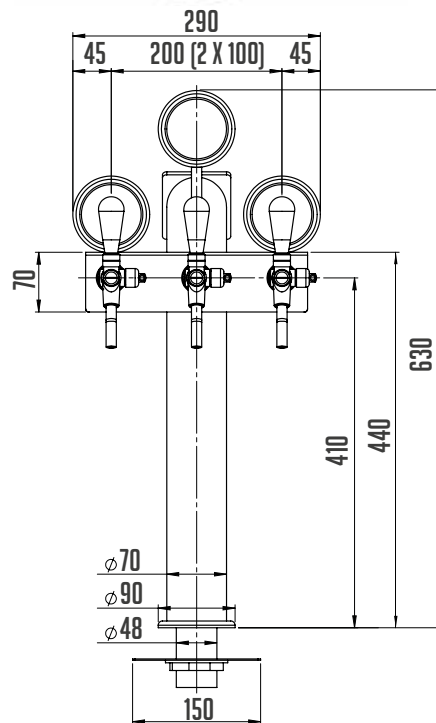
2x Tap



DISPENSE TOWER	NUMBER OF TAPS	COLOR DESIGN	INPUT (MM)
LINDR T2 2x Tap	2	STAINLESS STEEL SANDBLASTING PVD GOLD	8 10

LINDR T3 TOWER

3x Tap



DISPENSE
TOWER

LINDR T3
3x Tap



NUMBER
OF TAPS

3



COLOR
DESIGN

STAINLESS STEEL
SANDBLASTING
PVD GOLD

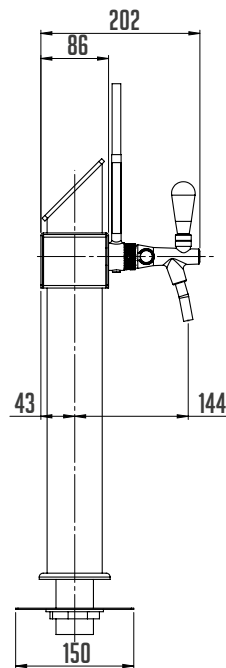
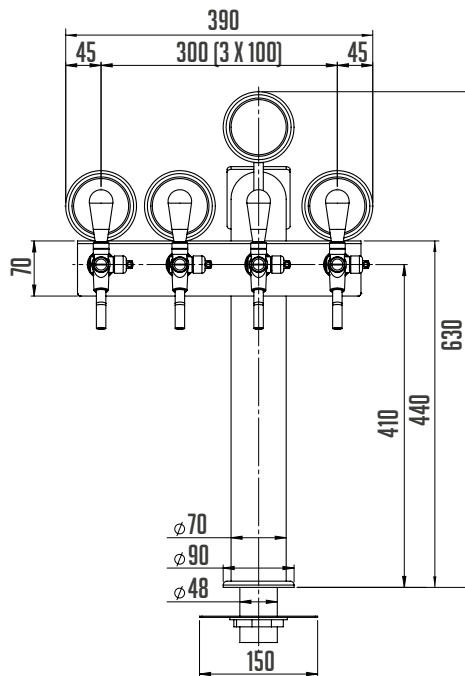


INPUT
(MM)

8
10

LINDR T4 TOWER

4x Tap



DISPENSE
TOWER

LINDR T4
4x Tap



NUMBER
OF TAPS

4



COLOR
DESIGN

STAINLESS STEEL
SANDBLASTING
PVD GOLD

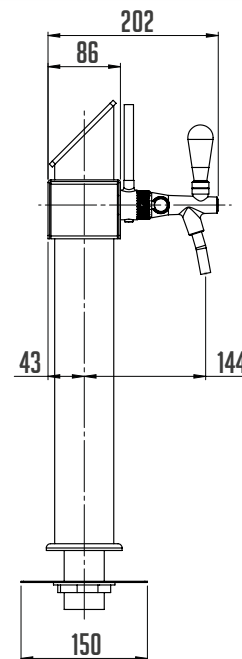
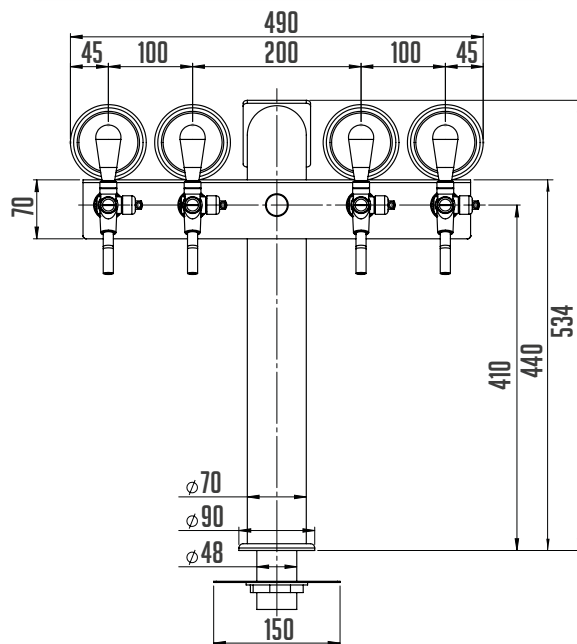


INPUT
(MM)

8
10

LINDR T4 TOWER

4x Tap



DISPENSE
TOWER

LINDR T4
4x Tap



NUMBER
OF TAPS

4



COLOR
DESIGN

STAINLESS STEEL
SANDBLASTING
PVD GOLD

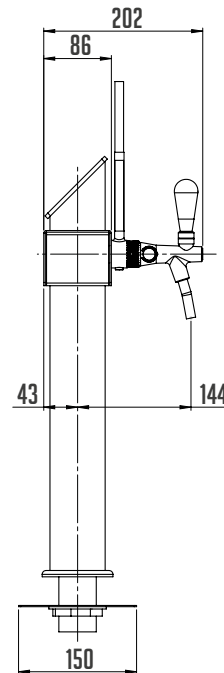
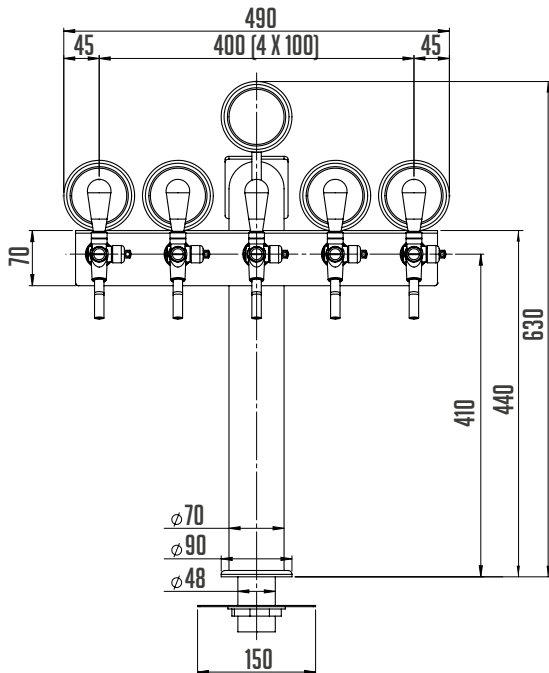


INPUT
(MM)

8
10

LINDR T5 TOWER

5x Tap



DISPENSE TOWER	NUMBER OF TAPS	COLOR DESIGN	INPUT (MM)
LINDR T5 5x Tap	5	STAINLESS STEEL SANDBLASTING PVD GOLD	8 10

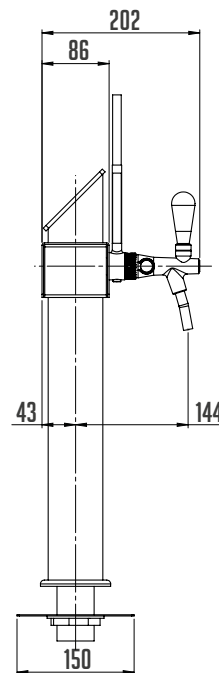
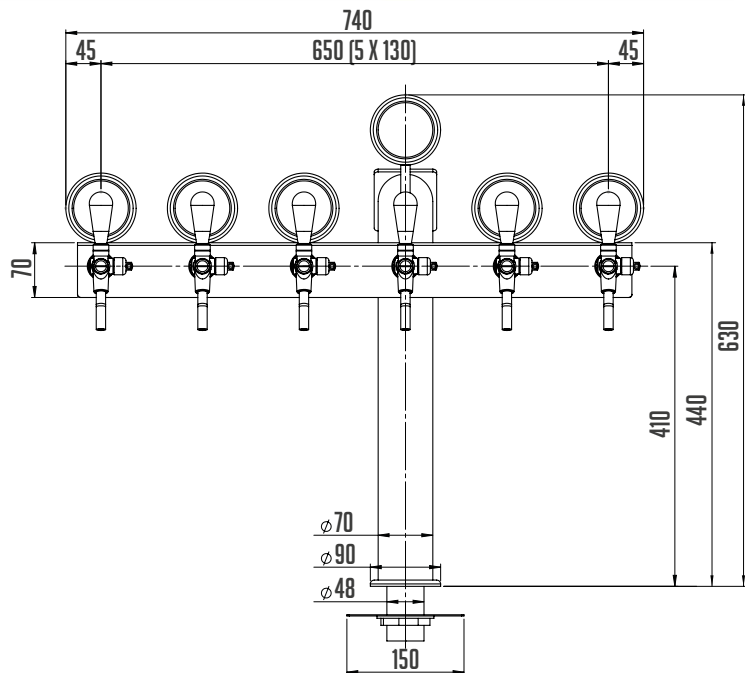
LINDR T6 TOWER

6x Tap



DISPENSE TOWERS LINDR

201



DISPENSE TOWER	NUMBER OF TAPS	COLOR DESIGN	INPUT (MM)
LINDR T6 6x Tap	6	STAINLESS STEEL SANDBLASTING	8 10



CZECH UP YOUR BEER

COOLING AND DISPENSING SYSTEMS

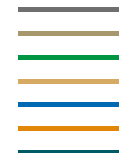
| LINDR T2-T6 TOWER

The **LINDR T** tower represents a comprehensive line of professional dispense towers with a selection in the number of taps. These towers provide an original solution for supplemental cooling all the way to the individual taps. Stainless steel body is a standard for this tower. The towers are fitted with an 8/10 mm tubing inlet, depending on the customer's choice.

202



TECHNICAL PARAMETERS



PRODUCT MODEL	LINDR T2 TOWER	LINDR T3 TOWER	LINDR T4 TOWER	LINDR T4 TOWER	LINDR T5 TOWER	LINDR T6 TOWER
ILLUMINATED ADVERTISING	YES	YES	YES	YES	YES	YES
CONNECTION - INLET 8 MM STAINLESS STEEL INLET WITH RECIRCULATION COIL RIGHT TO THE TAP	YES	YES	YES	YES	YES	YES
NUMBER OF TAPS (PCS)	2	3	4	4	5	6
WEIGHT (KG)	6,0	7,0	8,9	9,7	10,9	13,2
COLOR DESIGN POLISHED STAINLESS STEEL	YES	YES	YES	YES	YES	YES
OPTIONAL ACCESSORIES	YES	YES	YES	YES	YES	YES
COLOR DESIGN PVD GOLD	✓	✓	✓	✓	✓	X
CHOICE OF TAP	X	X	X	X	X	X
CHOICE OF MEDALLION	✓	✓	✓	✓	✓	✓
CONNECTION - INLET 10 MM STAINLESS STEEL INLET WITH RECIRCULATION COIL RIGHT TO THE TAP	✓	✓	✓	✓	✓	✓
POSSIBLE CUSTOMIZED OPTIONS	YES	YES	YES	YES	YES	YES
COLOR DESIGN ACCORDING TO RAL SAMPLES	X	X	X	X	X	X
COLOR DESIGN OF SANDBLASTING	✓	✓	✓	✓	✓	✓

Note
We will be happy to inform you regarding custom modifications (contact us).



SANDBLASTING



STAINLESS STEEL



PVD GOLD



ILLUMINATED ADVERTISING



MEDALLION





CZECH UP YOUR BEER
COOLING AND DISPENSING SYSTEMS

LINDR T6, T8 TOWERS

These original, professional dispense towers with six or eight taps will stand out in any taproom. The towers are fully stainless steel without welds and feature two illuminated medallions. Ease of installation is ensured by central nuts on two stands.



LINDR T6

LINDR T8

✓ **DESIGN** – fully stainless steel with 6 or 8 taps. The towers come with polished or sandblasted stainless steel finish, based on the customer's preference.

✓ **BEVERAGE TUBING** – the towers are fitted with 8/10 mm stainless steel beverage tubing.

✓ **ADVERTISEMENT** – the models are even more customisable with medallion or a single backlit advertisement with a custom motif.

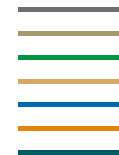


ADVANTAGES AND FUNCTIONAL
CHARACTERISTICS OF LINDR
DISPENSE TOWERS:

STAINLESS BODY – the entire tower is made of stainless steel. The materials used meet the strictest hygienic standards and guarantee long service life of LINDR dispense towers.

TUBING – 8/10 mm tube diameter.

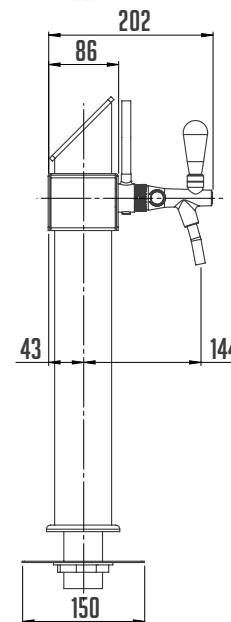
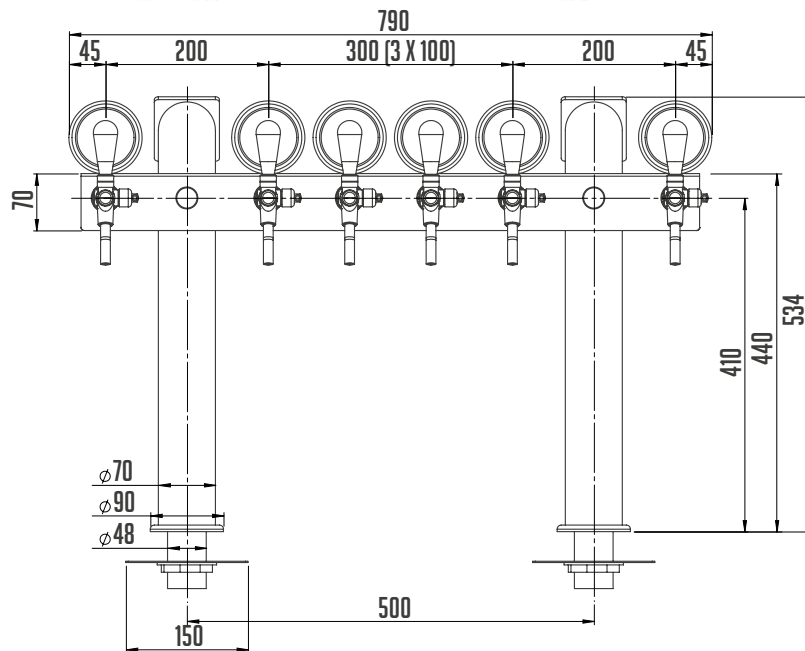
DESIGN – polished stainless steel body without welds.



LINDR T6 TOWER

6x Tap

CZECH UP YOUR BEER
 COOLING AND DISPENSING SYSTEMS

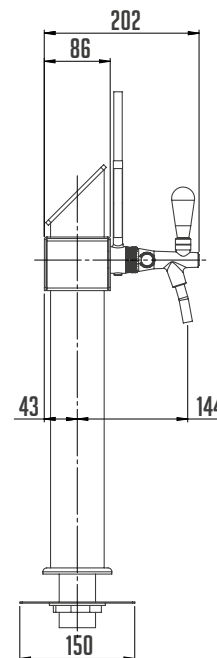
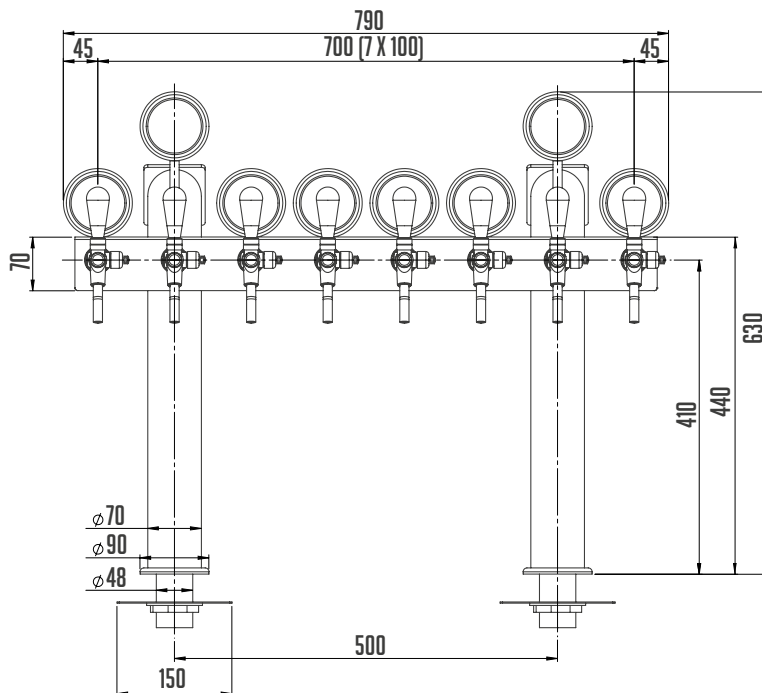


206

DISPENSE TOWER	NUMBER OF TAPS	COLOR DESIGN	INPUT (MM)
LINDR T8 6x Tap	6	STAINLESS STEEL SANDBLASTING	8 10

LINDR T8 TOWER

8x Tap



DISPENSE TOWER

LINDR T8
8x Tap



NUMBER OF TAPS

8



COLOR DESIGN

STAINLESS STEEL
SANDBLASTING



INPUT (MM)

8
10



CZECH UP YOUR BEER

COOLING AND DISPENSING SYSTEMS

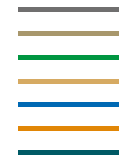
| LINDR T6, T8 TOWER

The **LINDR T** tower represents a comprehensive line of professional dispense towers with a selection in the number of taps. These towers provide an original solution for supplemental cooling all the way to the individual taps. Stainless steel body is a standard for this tower. The towers are fitted with an 8/10 mm tubing inlet, depending on the customer's choice.

208



TECHNICAL PARAMETERS



PRODUCT MODEL	LINDR T6 TOWER	LINDR T8 TOWER
ILLUMINATED ADVERTISING	YES	YES
CONNECTION - INLET 8 MM STAINLESS STEEL INLET WITH RECIRCULATION COIL RIGHT TO THE TAP	YES	YES
NUMBER OF TAPS (PCS)	6	8
WEIGHT (KG)	15,5	18,0
COLOR DESIGN POLISHED STAINLESS STEEL	YES	YES
OPTIONAL ACCESSORIES	YES	YES
COLOR DESIGN PVD GOLD	X	X
CHOICE OF TAP	X	X
CHOICE OF MEDALLION	✓	✓
CONNECTION - INLET 10 MM STAINLESS STEEL INLET WITH RECIRCULATION COIL RIGHT TO THE TAP	✓	✓
POSSIBLE CUSTOMIZED OPTIONS	YES	YES
COLOR DESIGN ACCORDING TO RAL SAMPLES	X	X
COLOR DESIGN OF SANDBLASTING	✓	✓

Note
We will be happy to inform you regarding custom modifications (contact us).



STAINLESS STEEL



SANDBLASTING



ILLUMINATED ADVERTISING



MEDALLION



SOUDEK DISPENSE TOWER

SOUDEK DISPENSE TOWER – exclusive design combining high quality oak wood and stainless steel tower with 1-3 taps.



✓ **NUMBER OF TAPS**

1-2-3

✓ **NUMBER OF TOWERS**

1

✓ **SPECIFICATIONS**

Stainless steel recirculation, 8 mm stainless steel inlet

✓ **ACCESSORY VARIANTS**

Taps – classic

✓ **COLOUR DESIGN**

Stainless steel/oak

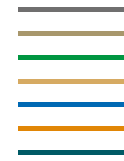


ADVANTAGES AND FUNCTIONAL
CHARACTERISTICS OF LINDR
DISPENSE TOWERS:

STAINLESS BODY – the entire tower is made of stainless steel. The materials used meet the strictest hygienic standards and guarantee long service life of LINDR dispense towers.

TUBING – 8 mm tube diameter.

DESIGN – polished stainless steel body without welds.

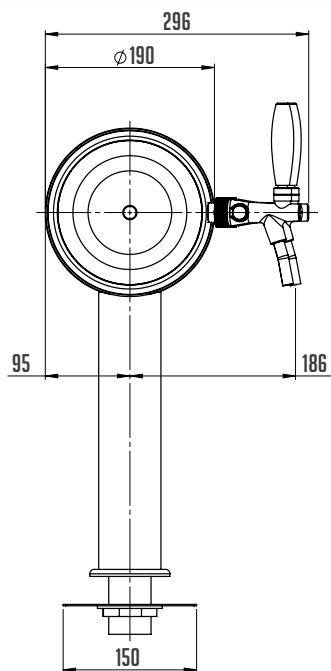
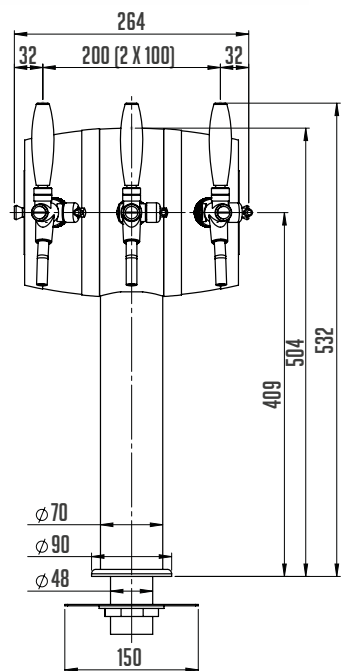




CZECH UP YOUR BEER
COOLING AND DISPENSING SYSTEMS

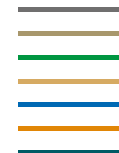
LINDR SOUDEK TOWER

1- 3x Tap



DISPENSE TOWER	NUMBER OF TAPS	COLOR DESIGN	INPUT (MM)
LINDR SOUDEK	1-3	STAINLESS STEEL/ORK	8

TECHNICAL PARAMETERS



PRODUCT MODEL	LINDR SOUDEK TOWER 1x tap	LINDR SOUDEK TOWER 2x tap	LINDR SOUDEK TOWER 3x tap
ILLUMINATED ADVERTISING	NO	NO	NO
CONNECTION - INLET 8 MM STAINLESS STEEL INLET WITH RECIRCULATION COIL RIGHT TO THE TAP	YES	YES	YES
NUMBER OF TAPS (PCS)	1	2	3
WEIGHT (KG)	4,9	5,3	6,2
COLOR DESIGN POLISHED STAINLESS STEEL	YES	YES	YES
OPTIONAL ACCESSORIES	YES	YES	YES
COLOR DESIGN PVD GOLD	✓	✓	✓
CHOICE OF TAP	X	X	X
CHOICE OF MEDALLION	X	X	X
CONNECTION - INLET 10 MM STAINLESS STEEL INLET WITH RECIRCULATION COIL RIGHT TO THE TAP	X	X	X
POSSIBLE CUSTOMIZED OPTIONS	YES	YES	YES
COLOR DESIGN ACCORDING TO RAL SAMPLES	X	X	X
COLOR DESIGN OF SANDBLASTING	✓	✓	✓

Note
We will be happy to inform you regarding custom modifications (contact us).





CZECH UP YOUR BEER
COOLING AND DISPENSING SYSTEMS

*A leading Czech manufacturer
of cooling and dispensing equipment*

**ACCESSORIES FOR
DISPENSING EQUIPMENT**

Accessories and other components for dispensing equipment, which are necessary or improve its use. These include dispensing heads for beer kegs, taps, hoses, air compressors and connecting material.





CZECH UP YOUR BEER
COOLING AND DISPENSING SYSTEMS

LINDR DISPENSE TAPS

The **DISPENSE TAP** is the end element of the dispense machine. It's a part of the dispenser designed to regulate foam and beer flow. Dispense taps are manufactured in various shapes and designs.

216



CHROME



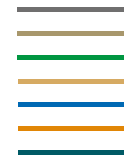
STAINLESS
STEEL



PVD
GOLD



TECHNICAL PARAMETERS



DISPENSE TAP CHROME PLATED WITH COMPENSATOR

- ✓ **SPECIFICATION**
Stainless steel spout
With LINDR logo
Thread 35, 55, 65 mm / 5/8"



35MM

DISPENSE TAP PVD PLATED WITH COMPENSATOR

- ✓ **SPECIFICATION**
Stainless steel spout
With LINDR logo
Thread 35, 55 mm / 5/8"



55MM

DISPENSE TAP STAINLESS STEEL TAP WITH COMPENSATOR

- ✓ **SPECIFICATION**
Stainless steel spout
With LINDR logo
Thread 35 mm / 5/8"



65MM



BLACK PLASTIC HANDLE



ERGO HANDLE



SOUDEK HANDLE



DARK OAK HANDLE BROWN



CZECH UP YOUR BEER
COOLING AND DISPENSING SYSTEMS

LINDR DISPENSING GUNS

The **DISPENSING GUNS** for serving beer or soda water into cups on various events. Simple to install and use. Connect to PYGMY or KONTAKT dispensing systems. Guns include a 2 m tube and 2 m insulation.

218



CHROME



TECHNICAL PARAMETERS

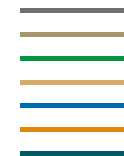
LINDR DISPENSING GUNS

✓ SPECIFICATION

Chrome surface with compensator
2m tube
2m insulation

✓ RECOMMENDED ACCESSORIES

JG F5/8 x 9,5mm
Sanitation adapter for Lindr 5/8 beer taps





CZECH UP YOUR BEER
COOLING AND DISPENSING SYSTEMS

THE BEER PARTY PUMP

*The **BEER PARTY PUMP** is a mobile beverage dispensing solution intended for dispensing from the kegs. Party pumps are mostly used where there is no access to electricity or in places with low ambient temperature, where beer does not need to be chilled. The party pump is screwed directly onto the dispense head.*

220



BRASS



TECHNICAL PARAMETERS

THE BEER PARTY PUMP

✓ SPECIFICATION

Brass body
Manually operated
Thread 5/8"



WITH DISPENSE HEAD



CZECH UP YOUR BEER
COOLING AND DISPENSING SYSTEMS

DISPENSE HEADS LINDR

The **DISPENSE HEAD** serves to dispense beer from kegs. We use several types of dispensing heads. S-type head, A-type, M-type, G-type, KEY-KEG.

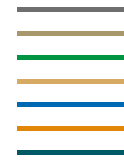
222



BRASS



TECHNICAL PARAMETERS



DISPENSE HEAD LINDR S-TYPE

- ✓ **SPECIFICATION**
Brass body
Stainless steel probe
Thread of 2 x 5/8"



S-TYP

DISPENSE HEAD LINDR A-TYPE

- ✓ **SPECIFICATION**
Brass body
Stainless steel probe
Thread of 2 x 5/8"



A-TYP

DISPENSE HEAD LINDR M-TYPE

- ✓ **SPECIFICATION**
Brass body
Stainless steel probe
Thread of 2 x 5/8"



M-TYP

DISPENSE HEAD LINDR G-TYPE

- ✓ **SPECIFICATION**
Brass body
Stainless steel probe
Thread of 2 x 5/8"



G-TYP

Note
We also offer MicroMatic and DSI dispense heads (contact us).



CZECH UP YOUR BEER
COOLING AND DISPENSING SYSTEMS

LINDR 5L KEG FILLER

*The **LINDR 5L KEG FILLER** is designed for simple 5l beer keg filling and is not intended for commercial use.*

✓ SPECIFICATIONS

- Adapter – body of barrel
- JG tap 9.5 mm
- metal screwings 5/8
- Sealing for 5l keg adapter



LINDR ADAPTER TO
5L BARREL





S-TYP



A-TYP



M-TYP



G-TYP

FILLER FOR KEGS

✓ SPECIFICATION

Stainless steel dispense head DSI
Thread 3 x 5/8"

✓ TYPES OF DISPENSE HEADS

S-typ, A-typ, M-typ, G-typ, KEY-KEG

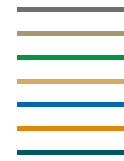


LINDR ADAPTER TO 5L BARREL

ADAPTER FOR 5L BEER KEG - Using this adapter, you can dispense and cool beer from 5l keg through the beer cooler.

✓ SPECIFICATION

Stainless steel body
Beverage – 9,5mm plastic fitting
Pressure – 8mm plastic fitting





CZECH UP YOUR BEER
COOLING AND DISPENSING SYSTEMS

OTHER PRODUCTS

For a properly drafted beer it is necessary to use and assemble dispensing equipment according to a customer requirements. We offer a wide variety of products for this purpose. In addition, we offer sanitizing accessories to help maintain high beer quality.

226

SANITIZING AND CLEANING OF BEER TUBING

is necessary for properly draughted beer. We recommend flushing and cleaning your dispensing system regularly. Within just a few hours, bacteria can turn beer undrinkable and ruin your beer event.



SANITIZING ADAPTORS

✓ **SPECIFICATIONS:**

For rinsing with water pressure
Brass body
Connection 1/2" tube

✓ **TYPE OF SANITIZING ADAPTORS**

S-type, A-type, M-type, G-type, KEY-KEG



BRASS





CZECH UP YOUR BEER
COOLING AND DISPENSING SYSTEMS

LINDR SP SANITIZING MACHINES

LINDR SP SANITIZING MACHINES are designed for cleaning beverage tubing and hoses. They are capable of controlled air suction and reversing the direction of flow of the cleaning solution or water. The materials used meet the strictest hygienic standards and guarantee long service life of this machine.



SP 80



SP PROFI

✓ **OUTPUT** – sanitizing machine SP PROFI features a powerful pressure pump with output of 12 atm., ensuring thorough cleaning of even the longest tubes with vertical distance.

✓ **DESIGN** – this sanitizing machine is made of stainless steel.

✓ **COMFORTABLY PORTABLE** – handle located on the top of the machine allows easy handling.



ADVANTAGES AND FUNCTIONAL CHARACTERISTICS OF LINDR ACCESSORIES:

STAINLESS STEEL BODY – THIS SANITIZING MACHINE is made of stainless steel. The materials used meet the strictest hygienic standards and guarantee long service life.

LINDR SP PROFI SANITIZING MACHINE

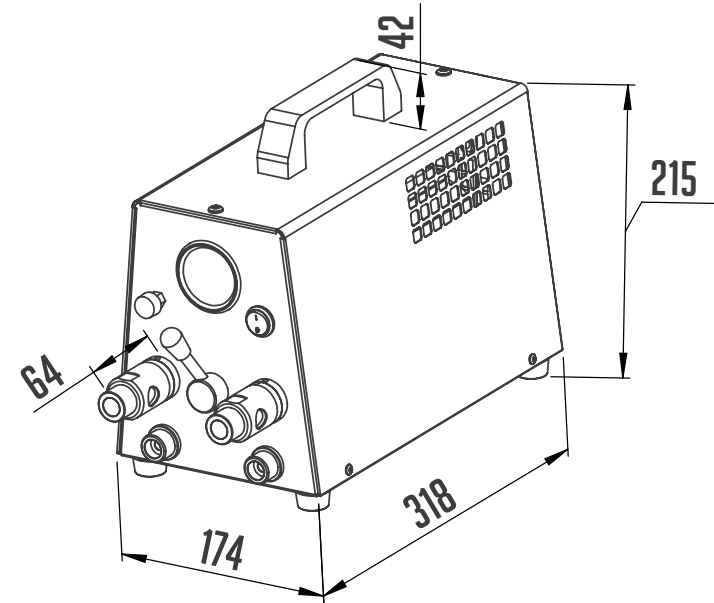
This machine is designed for professional mechanical/chemical sanitizing of beverage lines. A powerful pressure pump with output of 12 atm. ensures thorough cleaning of long beer lines despite the vertical distance. Suitable for sanitizing in commercial places and restaurants with tank beer. The machine is capable of controlled air suction and reversing the direction of flow of the cleaning solution or water.

LINDR SP 80 SANITIZING MACHINE

SP 80 is designed for cleaning beverage lines through water pressure and air vibration. The key component of this machine is a pressure pump mounted in a stainless steel casing. Mechanical/ chemical sanitizing (using a cleaning ball and a chemical solution), chemical sanitizing (chemical solution only). Handle is located on the top of the machine and allows easy handling.

LINDR SP PROFI SANITIZING MACHINE

CZECH UP YOUR BEER
 COOLING AND DISPENSING SYSTEMS



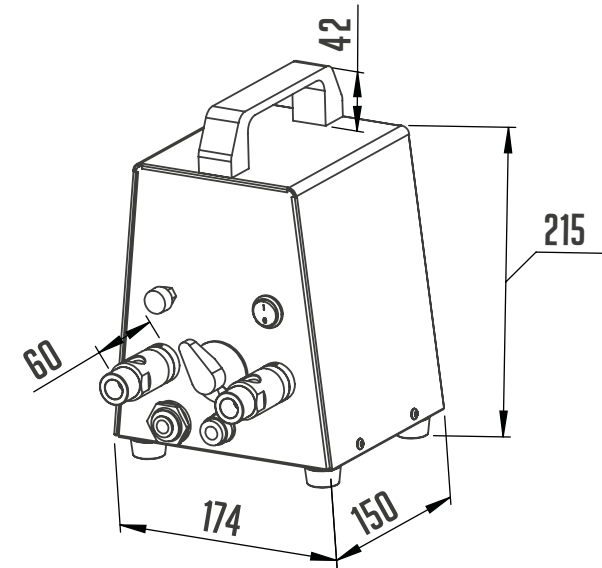
230

PRODUCT MODEL	SP PROFI
VOLTAGE	220-240V 50HZ-1
POWER (W)	414
AMPERAGE (A)	1,80
NET WEIGHT (KG)	11,5



STAINLESS STEEL

LINDR SP 80 SANITIZING MACHINE



PRODUCT MODEL	SP 80
VOLTAGE	220-240V 50HZ-1
POWER (W)	415
AMPERAGE (A)	0,50
NET WEIGHT (KG)	5,0



STAINLESS STEEL



CZECH UP YOUR BEER
COOLING AND DISPENSING SYSTEMS

LINDR VK 15, 30 MINI COMPRESSOR

Structurally unique and reliable compressor with surprising amount of power. Very small size and low weight enables easy handling and use. Smooth pressure regulation and simple connection is ensured via a JG fitting. Molecule filter on the input guarantees entry of clean air.



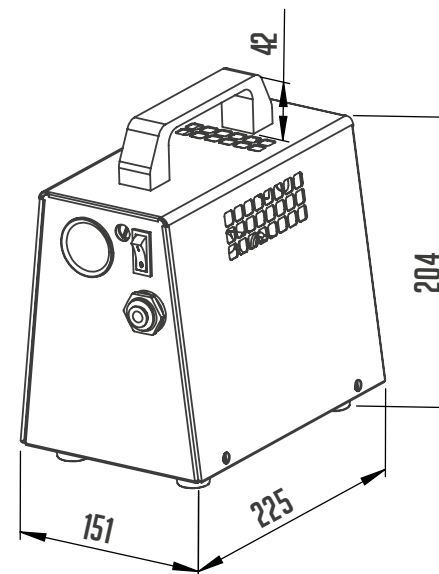
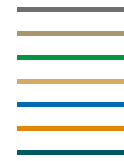
232

✓ **OUTPUT** – **VK LINDR 15** mini compressor is a suitable source of pressure for coolers up to an output of 40 l/h, while **VK LINDR 30** is suitable for coolers up to an output of 140 l/h.

✓ **DESIGN** – the VK mini compressor is made of stainless steel.

✓ **COMFORTABLY PORTABLE** – handle located on the top of the machine allows easy handling.

LINDR VK 15, 30 MINI COMPRESSOR



PRODUCT MODEL	VK 15	VK 30
PERFORMANCE (L/HOUR)	40	140
REGULATION OF THE AIR COMPRESSOR (BAR)	REGULATION 1,0-3,4	REGULATION 1,0-4,2
VOLTAGE	220-240V 50HZ-1	220-240V 50HZ-1
POWER (W)	92	115
AMPERAGE (A)	0,40	0,50
NET WEIGHT (KG)	4,5	4,5

● ST. STEEL

Make a personal appointment. We will guide you around our factory in Sadova, introduce our new products and you can enjoy beautiful moments spent in our LINDR brewery.

BREWERY LINDR MŽANY

This interesting complex was created from ideas of Mr. Milos Lindr, who was born and lives in the village of Mžany. The purpose of this investment-intensive construction, which has become a cultural and social center, is our effort to revitalize the surrounding region, boost community credit, and provide as much comfort and relaxation as possible.

ACCOMODATION

Comfortable rooms respect distinctive style around the brewery and restaurant. They are extremely comfortable and well equipped. Brewery atmosphere can be improved by renting the luxury apartment with a bed in a wooden barrel.

RESTAURANT

Home cooking in its true form. We care mainly about the quality so we buy as much as possible from local sources. We prepare everything in open kitchen in front of your eyes.

WELLNESS

Comfort of private wellness area offering beer spa -healing effect of bathing in beer has been known since ancient times, infrasauna and massage-ensures perfect relaxation.




Enjoy your comfort with good food and beer,
strengthen your body with sports and relaxation






LINDR.CZ s.r.o.
COOLING AND DISPENSING SYSTEMS

 420 495 447 239

 420 495 425 085

 info@lindr.cz

 www.lindr.cz

 SADOVÁ 132, CZ 50315 NECHANICE
CZECH REPUBLIC