

LINDR SP SANITIZING MACHINES

LINDR SP SANITIZING MACHINES are designed for cleaning beverage tubing and hoses. They are capable of controlled air suction and reversing the direction of flow of the cleaning solution or water. The materials used meet the strictest hygienic standards and guarantee long service life of this machine.



SP 80



SP PROFI

✓ **OUTPUT** – sanitizing machine SP PROFI features a powerful pressure pump with output of 12 atm., ensuring thorough cleaning of even the longest tubes with vertical distance.

✓ **DESIGN** – this sanitizing machine is made of stainless steel.

✓ **COMFORTABLY PORTABLE** – handle located on the top of the machine allows easy handling.



ADVANTAGES AND FUNCTIONAL CHARACTERISTICS OF LINDR ACCESSORIES:

STAINLESS STEEL BODY – THIS SANITIZING MACHINE is made of stainless steel. The materials used meet the strictest hygienic standards and guarantee long service life.

| LINDR SP PROFI SANITIZING MACHINE

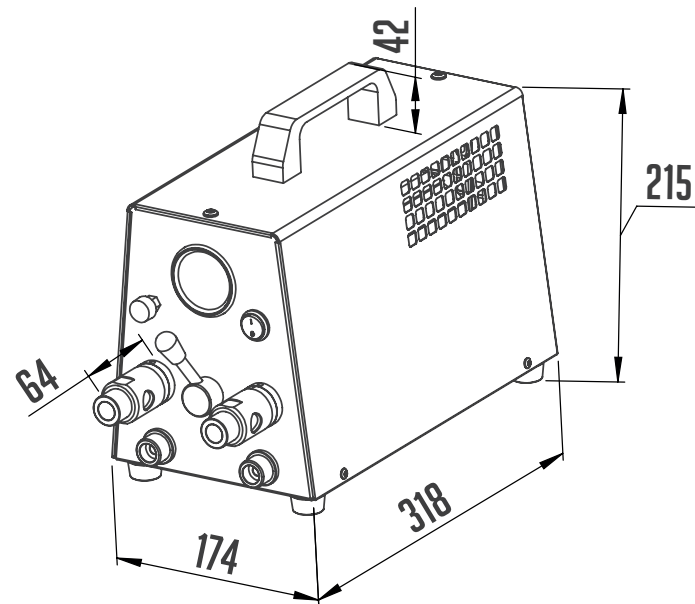
This machine is designed for professional mechanical/chemical sanitizing of beverage lines. A powerful pressure pump with output of 12 atm. ensures thorough cleaning of long beer lines despite the vertical distance. Suitable for sanitizing in commercial places and restaurants with tank beer. The machine is capable of controlled air suction and reversing the direction of flow of the cleaning solution or water.

| LINDR SP 80 SANITIZING MACHINE

SP 80 is designed for cleaning beverage lines through water pressure and air vibration. The key component of this machine is a pressure pump mounted in a stainless steel casing. Mechanical/ chemical sanitizing (using a cleaning ball and a chemical solution), chemical sanitizing (chemical solution only). Handle is located on the top of the machine and allows easy handling.

CZECH UP YOUR BEER
COOLING AND DISPENSING SYSTEMS

LINDR SP PROFI SANITIZING MACHINE

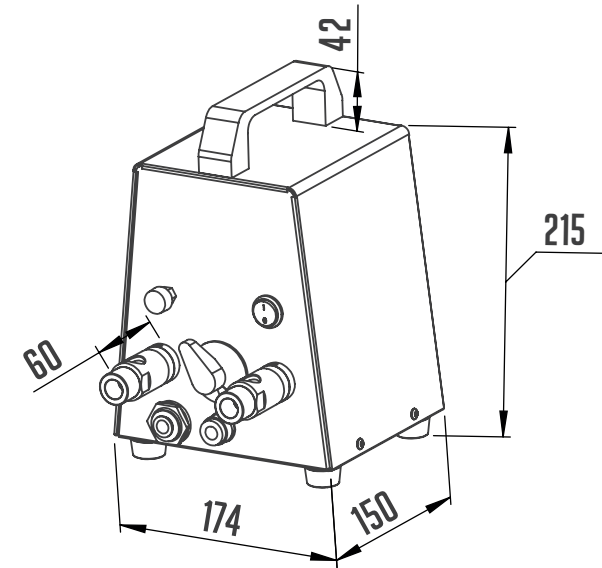


228

PRODUCT MODEL	SP PROFI
VOLTAGE	220-240V 50HZ-1
POWER (W)	414
AMPERAGE (A)	1,80
NET WEIGHT (KG)	11,5

● **STAINLESS STEEL**

LINDR SP 80 SANITIZING MACHINE



PRODUCT MODEL	SP 80
VOLTAGE	220-240V 50HZ-1
POWER (W)	415
AMPERAGE (A)	0,50
NET WEIGHT (KG)	5,0



STAINLESS STEEL