

A COOLER THAT PERFECTLY FITS YOUR MODERN KITCHEN

PYGMY PRO KITCHEN

LUXURY & UNIQUENESS

PYGMY PRO KITCHEN pushes the boundaries of the luxury of having beer on tap in the kitchen. With its exclusive and original design, it is an ideal candidate for installation in the kitchen of anyone who is at least a little serious about home-draught beer.



CZECH UP YOUR BEER
COOLING AND DISPENSING SYSTEMS



FULLY BUILT-IN COOLER

Let us present the newest representative of our luxury coolers in the EXCLUSIVE – PYGMY PRO KITCHEN line. This is a built-in cooler that perfectly fits your modern kitchen. The combination of stainless steel and black tempered glass highlights its elegance and original look.

Behind the idea of entering the modern kitchen with built-in beer cooler is Miloš Lindr, visionary and founder of the company.

PYGMY 



AN EXCLUSIVE COOLER NOT ONLY FOR THE KITCHEN

The construction of PYGMY PRO KITCHEN is completely unique. There is no such mass-produced cooler on the market. Its output is based on the PYGMY 25 cooler. It has a clear and elegant control panel, quiet operation and, last but not least, the proven TUBE tap tower.

WHERE CAN IT BE USED

As always, in addition to the technical side, we put an extremely high emphasis on design and quality of workmanship. That is why our new cooler fits perfectly even the most modern kitchens. But you can also build it into a design bar, garden kitchen or a mobile bar, where it will stand out and fulfil its purpose.



WE KNOW THAT DETAILS MATTER

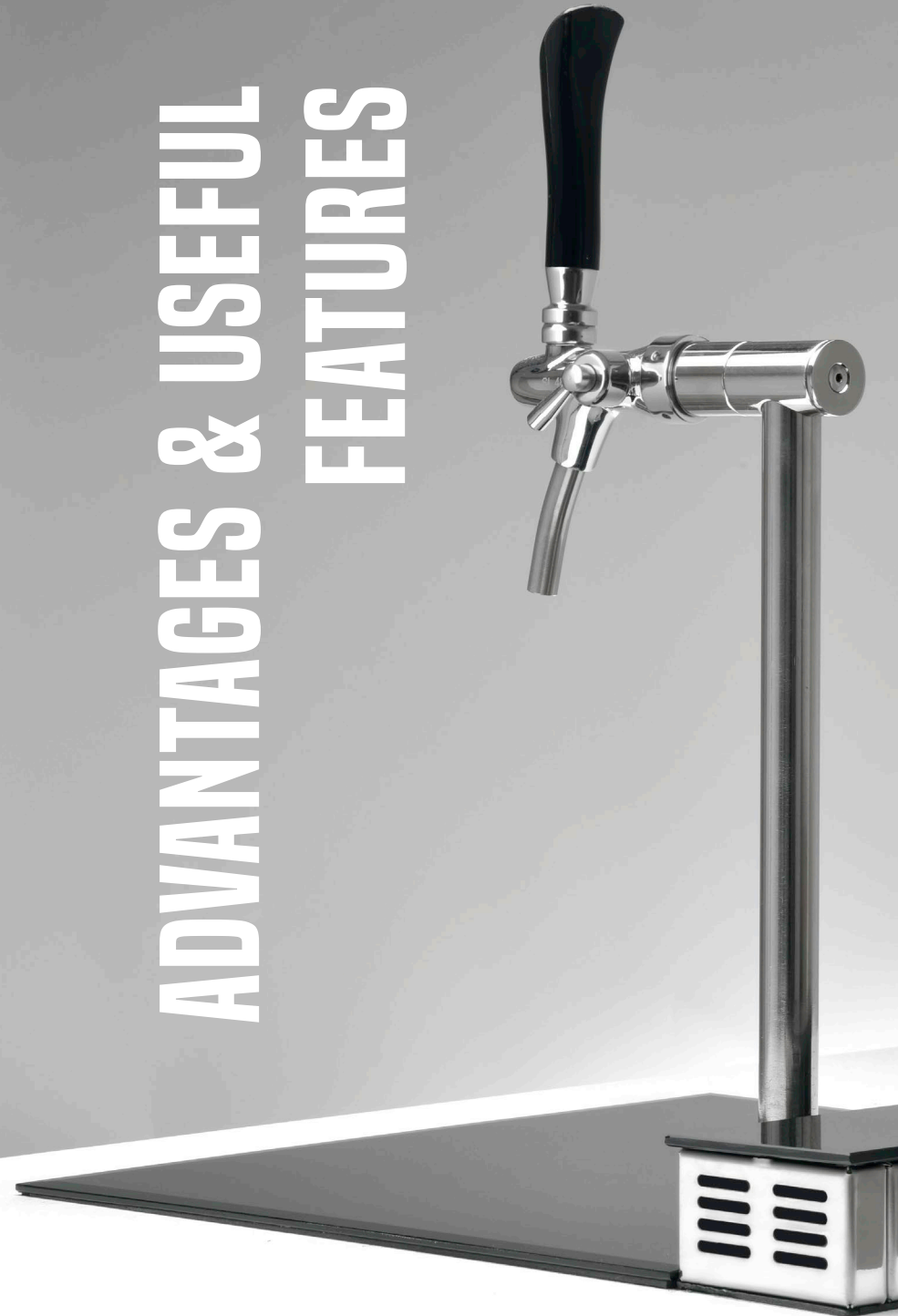


SIMPLE CONTROL – including setting the temperature using a clear and elegant control panel.



AIR CIRCULATION – the elaborated design secures sufficient air flow and quiet operation.

ADVANTAGES & USEFUL
FEATURES



BUILT-IN CONSTRUCTION – a construction designed to be built into a kitchen worktop, its dimensions correspond to a kitchen module with a width of 45 cm.

QUIET OPERATION – the elaborated design ensures sufficient air flow and quiet operation.

PARTICULATE FILTER – the ventilation inlet is protected by a special particulate filter (located in the lower part of the cooler).

PERFORMANCE – the PYGMY PRO KITCHEN with its increased continuous output 25-35l/h, enables the continuous serving of 50-70 high-quality chilled beverages during one hour.

LUXURIOUS APPEARANCE – the top part is made of tempered glass, which guarantees long-term durability and a perfect look.

AIR COMPRESSOR – includes a built-in air compressor with a particulate filter.

SIMPLE OPERATION – includes temperature adjustment using a clear and elegant control panel.

STAINLESS STEEL TAP – The dispense tower is equipped with a stainless steel tap. This allows the cooler to be used not only for draft beer, but also for any other drink - wine, cider, water or even cocktails.



Thanks to the TUBE tap tower, the cooler can be delivered with different options of tap handles, both materials and function-wise. The tap itself is made of stainless steel so any kind of beverage can be connected in addition to beer, like wine, cider, water or even a cocktail.



ST. STEEL



COOLER PYGMY PRO KITCHEN

The cabinet is an optional accessory for possible placement anywhere where there is space.
Made of quality oak wood.



The PYGMY PRO KITCHEN cooler with the width of 45 cm is designed in such a way that all the equipment you need for draughting beer or other chilled drinks fits into one modular kitchen cabinet.

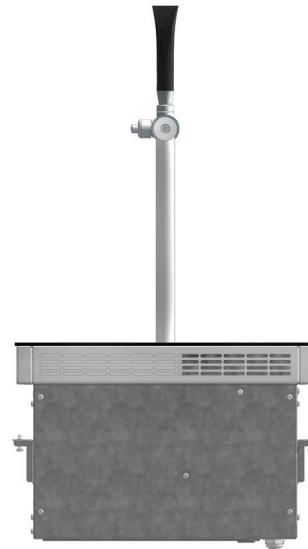
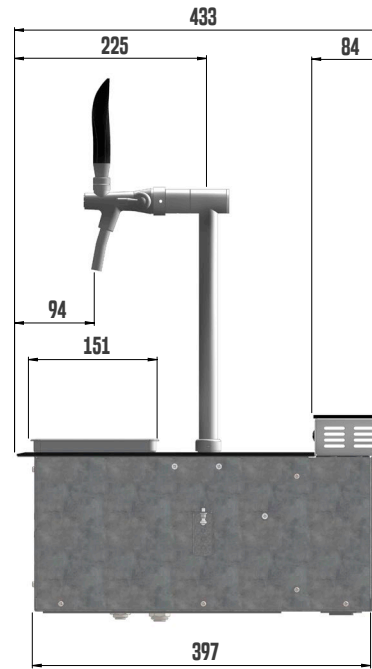
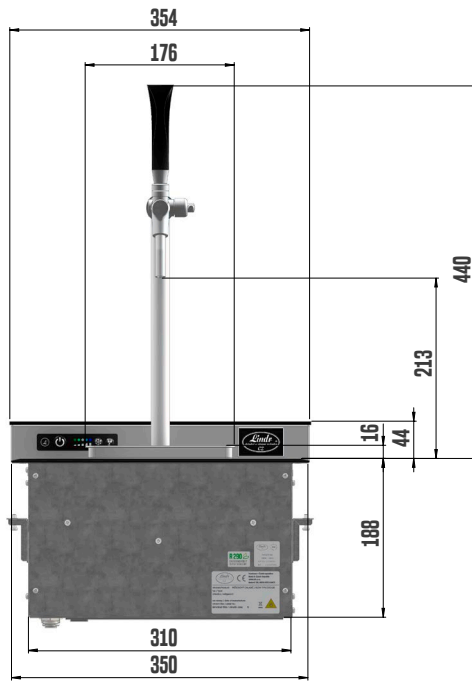


UNDER THE SURFACE – the unique design of the cooler allows it to be placed in a single kitchen cabinet.

You can easily connect air and beer hoses using quick connectors.

PARTICULATE FILTER – the ventilation inlet is protected by a special particulate filter (located in the lower part of the cooler).





PRODUCT MODEL

PYGMY PRO KITCHEN 6L

COOLING POWER OF THE COMPRESSOR (HP)	1/8
COOLING POWER OF THE COMPRESSOR (W)	280
MAXIMUM COOLING CAPACITY TO 0 °C / TK 45 °C (L/HOUR)	35
CONTINUOUS COOLING PERFORMANCE (L/HOUR)	25
THERMAL GRADIENT ΔT (°C)	10
AIR COMPRESSOR (BAR)	YES
AIR COMPRESSOR PRESSURE (BAR)	AUTOMATIC 2,8-3,2
NUMBER OF TAPS (PCS)	1
NUMBER OF COOLED BEVERAGES (PCS)	1
LENGTH OF COOLING COILS (M)	11,5
DIAMETER OF COOLING COIL (MM)	7X8
POWER (W)	322
AMPERAGE (A)	1,40
NET WEIGHT (KG)	21,5
REFRIGERANT TYPE	R290
VOLTAGE (V)	220-240V 50HZ~1
BEVERAGE CONNECTION (FITTINGS)	9,5MM (3/8")
AIR CONNECTION (FITTINGS)	8MM (5/16")

CUSTOMIZED OPTIONS

CHOICE OF TAP	NO
BEVERAGE CONNECTION - STAINLESS STEEL SCREWING	NO
AIR CONNECTION - STAINLESS STEEL SCREWING	NO
POWER CABLE PLUG	YES